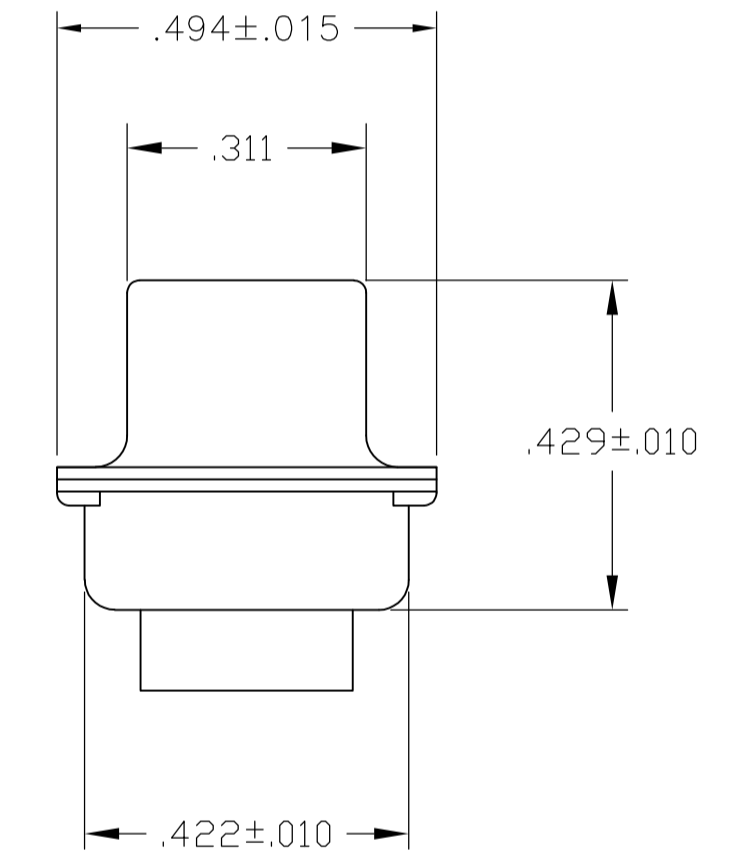
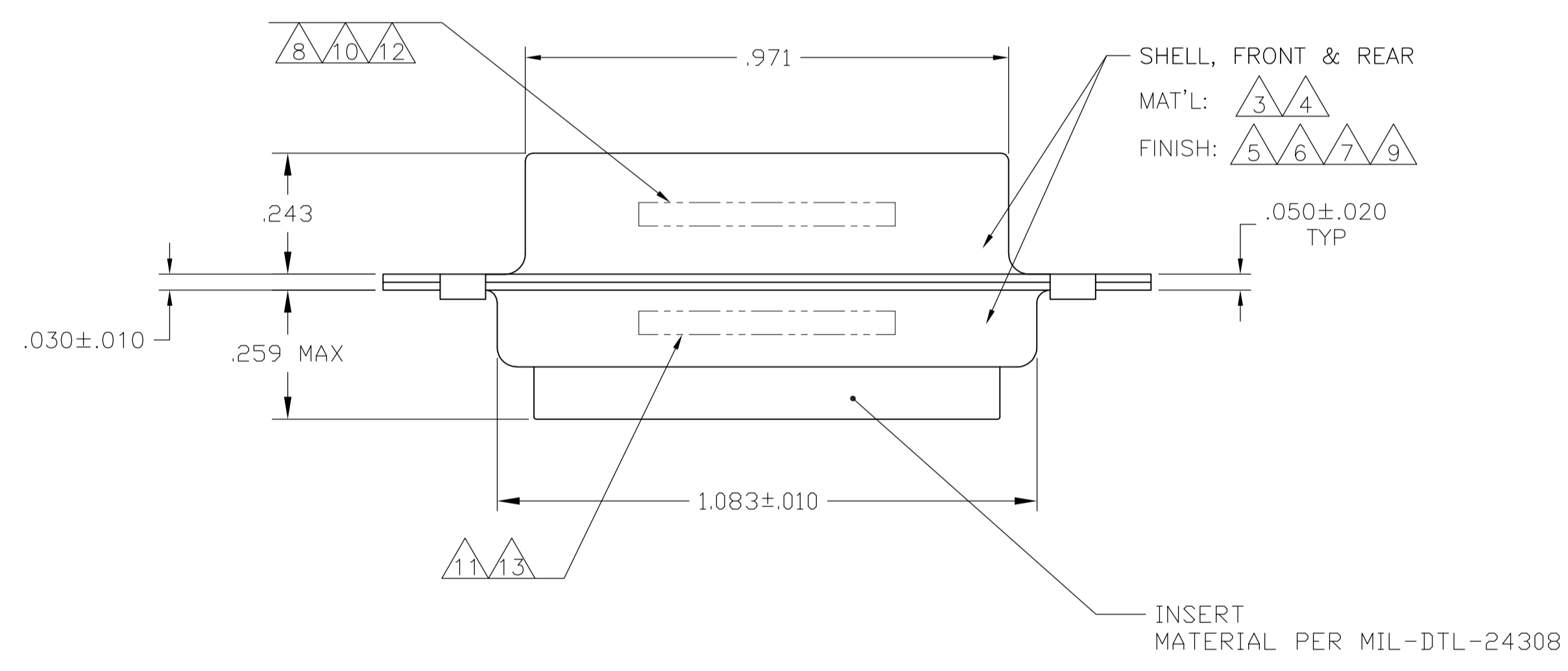
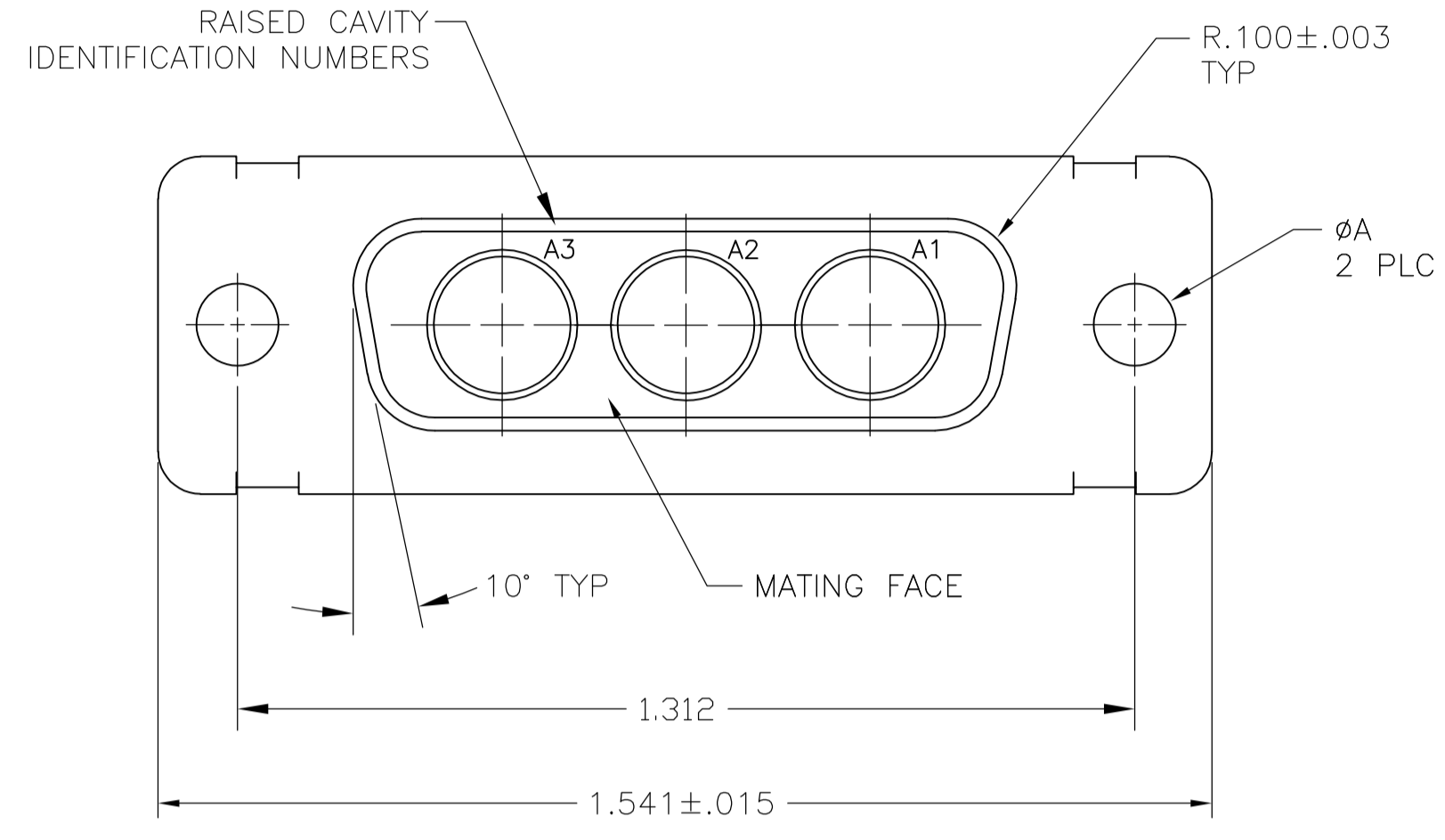


| LOC | | DIST | | REVISIONS | | | |
|-----|-----|-----------------------|---------|-----------|------|--|--|
| P | LTR | DESCRIPTION | DATE | DN | APVD | | |
| Y | | REV PER ECO-15-016251 | 13NOV15 | KG | CD | | |

- 1 THIS RECEPTACLE WILL MATE WITH ANY 3C3, SIZE 2 PLUG IN AMPLIMITE SERIES.
- 2 THIS CONNECTOR ACCEPTS (3) POWER 8, OR COAX SOCKET CONTACTS IN POSITIONS A1 THRU A3, PURCHASED SEPARATELY.
- 3 STEEL PER ASTM-A-109.
- 4 BRASS PER MIL-C-50 AND ASTM-B-36 UNS NO. C26000.
- 5 FINISH: TIN PER ASTM-B-545 .000400 MIN THK OVER COPPER PER AMS2418 .000050 MIN THK.
- 6 GOLD PLATED PER MIL-G-45204 TYPE II, GRADE C, CLASS 1 OVER COPPER PER MIL-C-14550, CLASS IV.
- 7 FINISH: PLATED CADMIUM PER QQ-P-416, TYPE II, CLASS 2, OVER COPPER PER MIL-C-14550, CLASS IV.
- 8 IF CUSTOMER PART NUMBER DOES NOT FIT ON FRONT SHELL NEAR SIDE, THEN SPLIT BETWEEN FRONT AND REAR SHELL FAR SIDE.
- 9 FINISH: ZINC PLATE PER ASTM-B-633 .000200-.000400 THK WITH SUPPLEMENTARY CHROMATE (Cr3+).
- 10 MANUFACTURER'S NAME, BRAND OR LOGO AND DATE CODE MARKED ON FAR SIDE. CUSTOMER PART NO MARKED ON NEAR SIDE
- 11 MFG'S PART NUMBER MARKED ON FAR SIDE
- 12 MARK DATE CODE AND CUSTOMER PART NUMBER, FAR SIDE
- 13 MARK MFG PART NUMBER ON NEAR SIDE



| REMARKS | øA | CUSTOMER PART NO. | PART NO. |
|-------------|------|-------------------|------------|
| 3 9 10 11 | .120 | - | 5-445705-4 |
| 3 7 12 13 | .120 | T5935-0103-005 | 445705-8 |
| 3 5 10 11 | .120 | - | 445705-7 |
| 4 6 10 11 | .120 | A010942-0042 | 445705-6 |
| 4 6 8 10 11 | .120 | B010942-0014 | 445705-5 |
| 3 7 10 11 | .120 | - | 445705-4 |
| 4 6 8 10 11 | .154 | 311P405-7S-B-15 | 445705-3 |
| 4 6 8 10 11 | .120 | 311P405-7S-B-12 | 445705-2 |
| 3 5 10 11 | .120 | - | 445705-1 |

THIS DRAWING IS A CONTROLLED DOCUMENT.

DIMENSIONS: INCHES
 TOLERANCES UNLESS OTHERWISE SPECIFIED:
 0 PLC ± -
 1 PLC ± -
 2 PLC ± -
 3 PLC ± .005
 4 PLC ± - # 0', 30'
 ANGLES ± - # 0', 30'

MATERIAL: SEE TABLE
 FINISH: SEE TABLE

DWG: C.C.THOMAS 01NOV88
 CHK: A.FMADI 02NOV88
 APVD: A.FMADI 02NOV88
 NAME: RECEPTACLE ASSEMBLY AMPLIMITE 3C3 SIZE 2, SERIES 109, COAX MIX

SIZE: A1
 CAGE CODE: 00779
 DRAWING NO: 445705
 WEIGHT: -
 CUSTOMER DRAWING: -

SCALE: 4:1
 SHEET: 1 OF 1
 REV: Y

单击下面可查看定价，库存，交付和生命周期等信息

[>>TE Connectivity\(泰科\)](#)