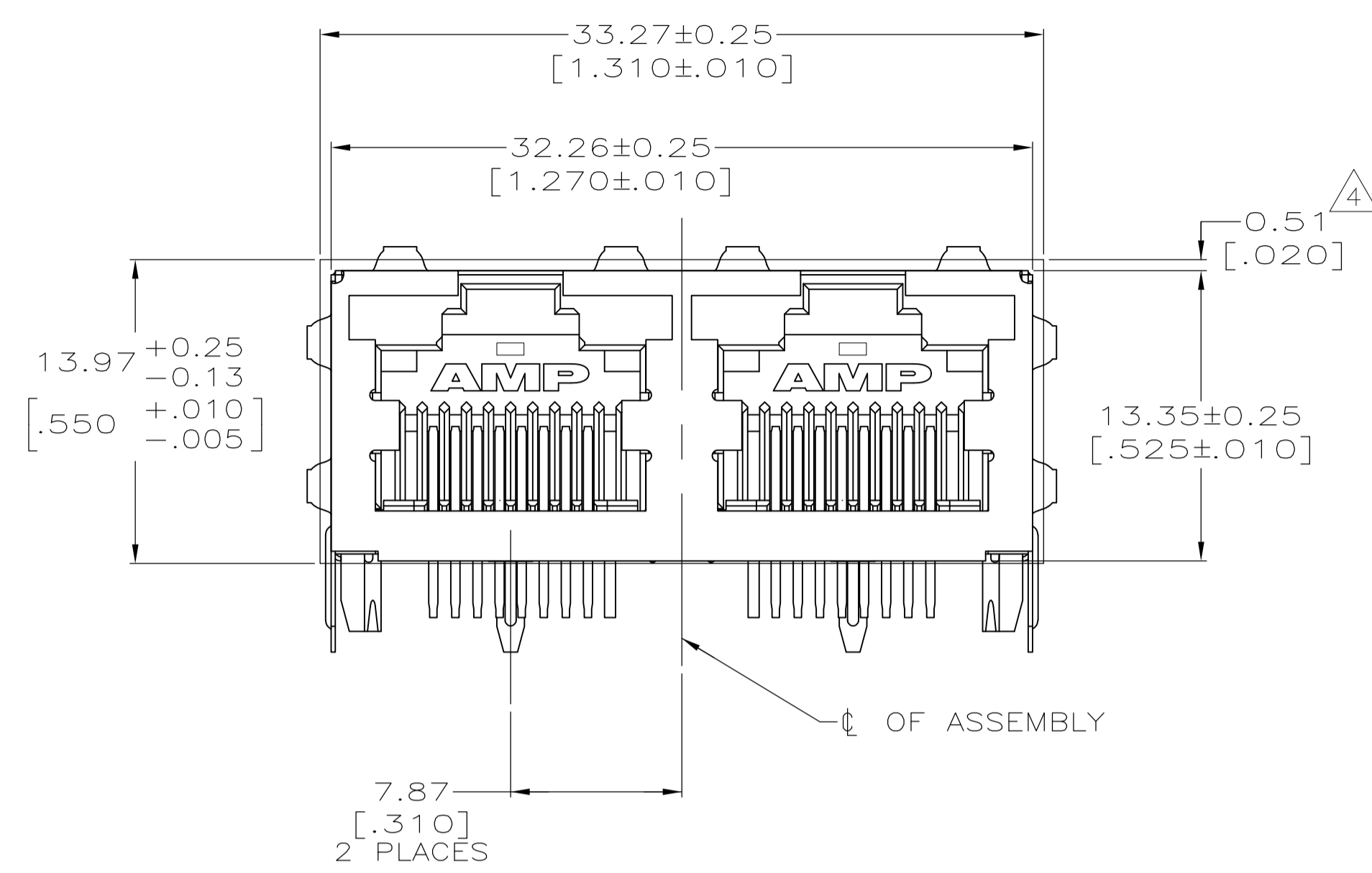
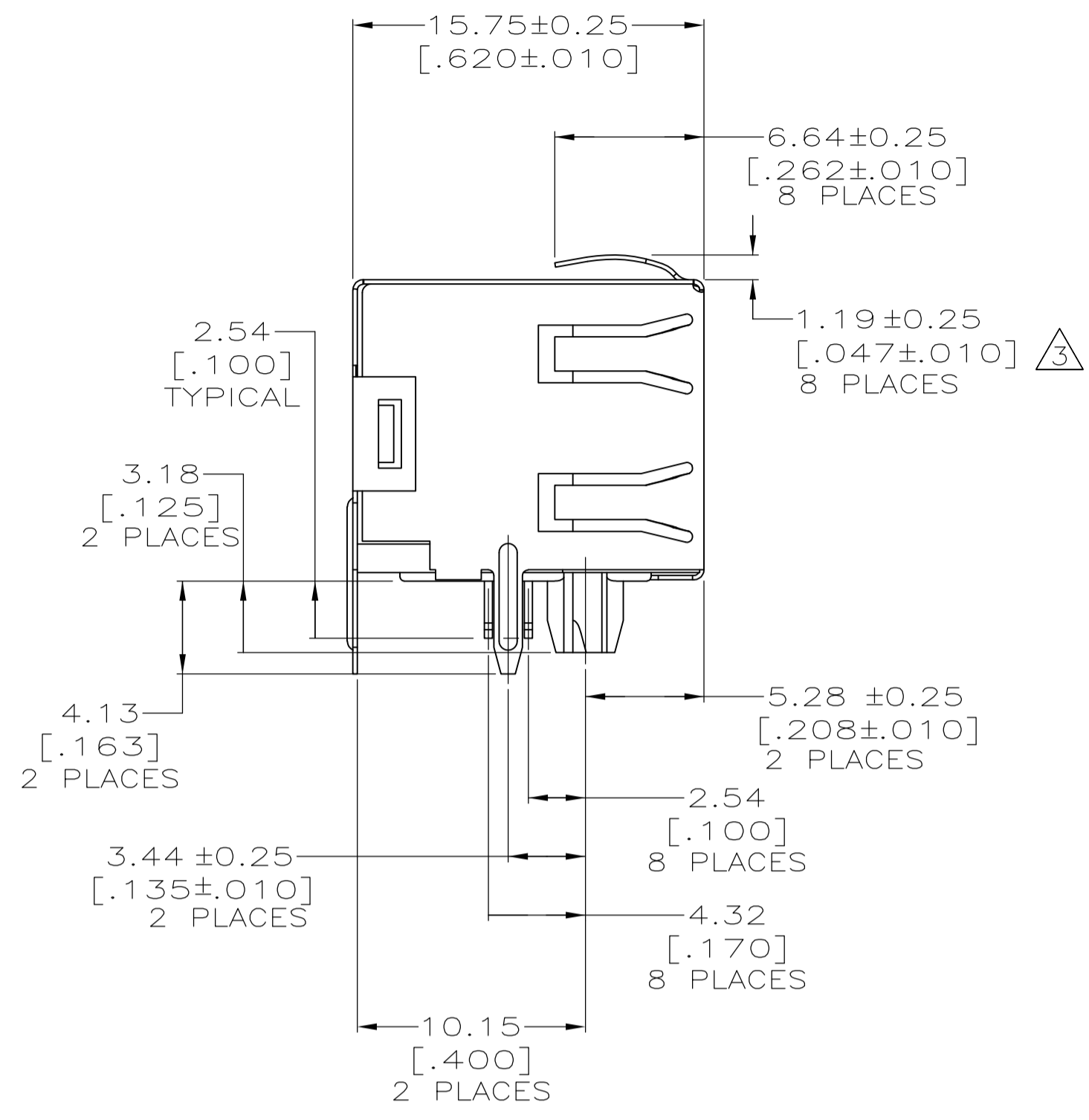
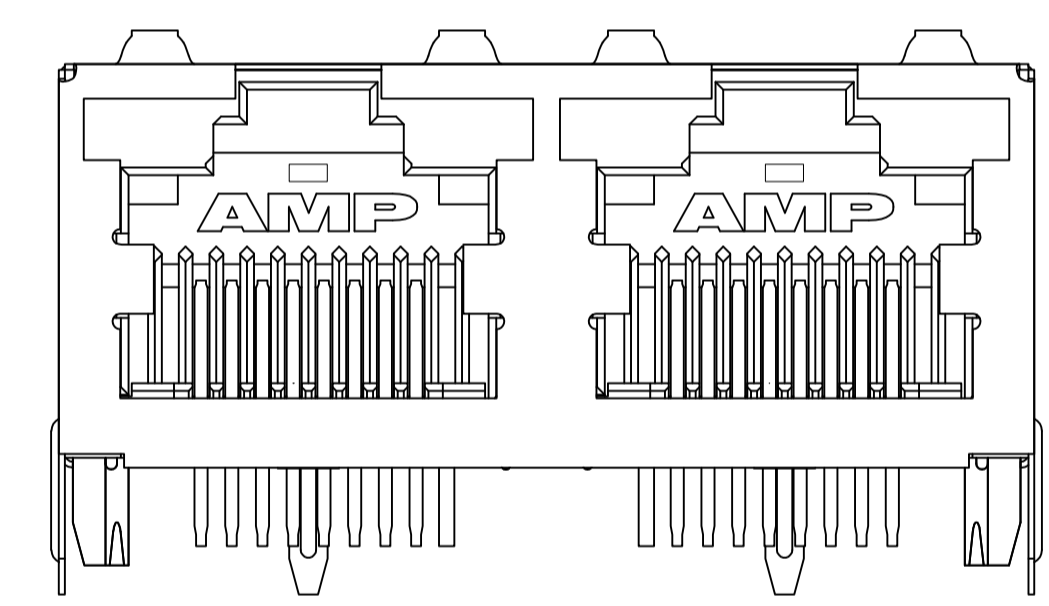


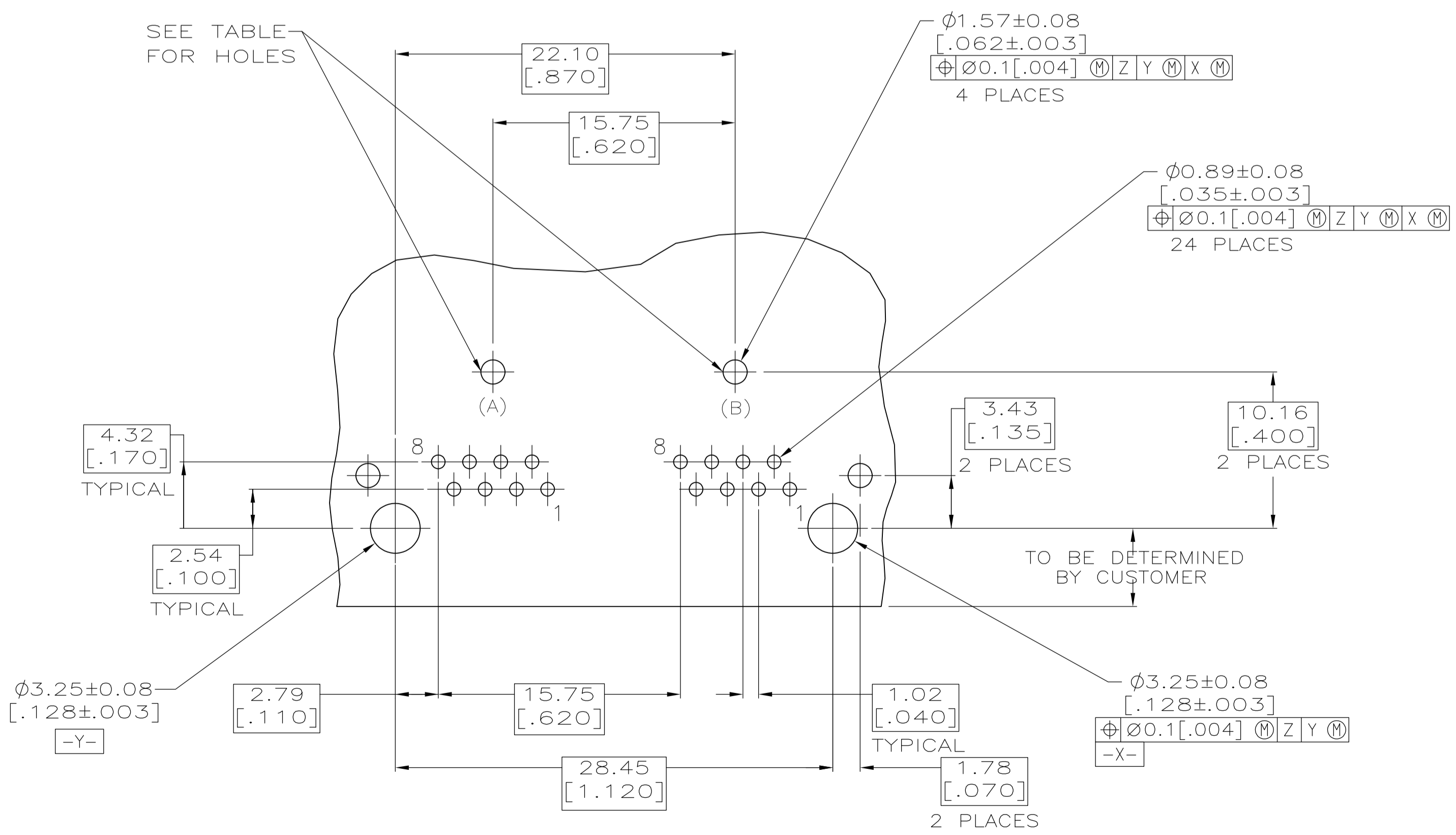
REVISIONS				
P	LTR	DESCRIPTION	DATE	OWN
A4	ECO-16-010974		25JUL2016	AD SH



- △ MATERIAL: HOUSING – HIGH TEMPERATURE THERMOPLASTIC, BLACK, UL94V-0; IR REFLOW SOLDERING PROCESS COMPATIBLE. TERMINALS – 0.36[.014] THICK PHOS BRONZE PLATED WITH 3.81µm[.000150] MINIMUM THICK MATTE TIN IN SOLDER AREA. 1.27µm [.000050] MINIMUM GOLD IN LOCALIZED PLATE AREA. ENTIRE TERMINAL PLATED WITH 1.27µm [.000050] MINIMUM THICK NICKEL. SHIELD – 0.196[.0077] THICK COPPER ZINC ALLOY PREPLATED WITH 1.27µm[.000050] MINIMUM SATIN NICKEL WITH 2.03µm[.000080] MINIMUM TIN POST DIPPED ON PCB GROUND TABS.
- 2. JACK CAVITY CONFORMS TO FCC RULES AND REGULATIONS PART 68, SUBPART F.
- △ SUGGESTED PANEL OPENING DIMENSIONS.
- △ SUGGESTED CLEARANCE BETWEEN TOP OF CONNECTOR AND TOP PANEL OPENING.
- △ TAPE&REEL PACKAGING WITH ANTISTATIC.



PN: 6116522-3  
SIMILAR TO 6116522-1, BUT WITHOUT EMI FINGERS ON BOTH SID



SUGGESTED PRINTED CIRCUIT BOARD LAYOUT (COMPONENT SIDE)

REAR TABS	EMI FINGERS	PACKAGE	PART NUMBER
2	4	TRAY	6116522-3
2	8	△ T&R	6116522-2
2	8	TRAY	6116522-1

THIS DRAWING IS A CONTROLLED DOCUMENT.

DIMENSIONS: mm [INCHES]	TOLERANCES UNLESS OTHERWISE SPECIFIED:	DIN L VARELA - DOCKS 10JUN2005	CHK J. WESTMAN 10JUN2005	APVD S. FLICKINGER 10JUN2005	NAME
0 PLC ± -	1 PLC ± -	2 PLC ± 0.25[.01]	3 PLC ± 0.13[.005]	4 PLC ± -	ANGLES ± -
MATERIAL		FINISH		SIZE	CAGE CODE
△		△		114-2154	DRAWING NO
CUSTOMER DRAWING		SCALE 4:1		WEIGHT 0.000000	SHEET 1 OF 1
A1		00779		REV A4	

STE TE Connectivity

INVERTED MODULAR JACK ASSEMBLY, 1X2, SHIELDED, PANEL GROUND

单击下面可查看定价，库存，交付和生命周期等信息

[>>TE Connectivity\(泰科\)](#)