

THIS DRAWING IS UNPUBLISHED.

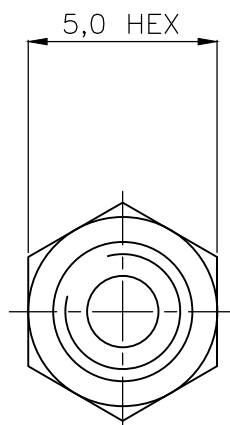
RELEASED FOR PUBLICATION

ALL RIGHTS RESERVED.

© COPYRIGHT - By -

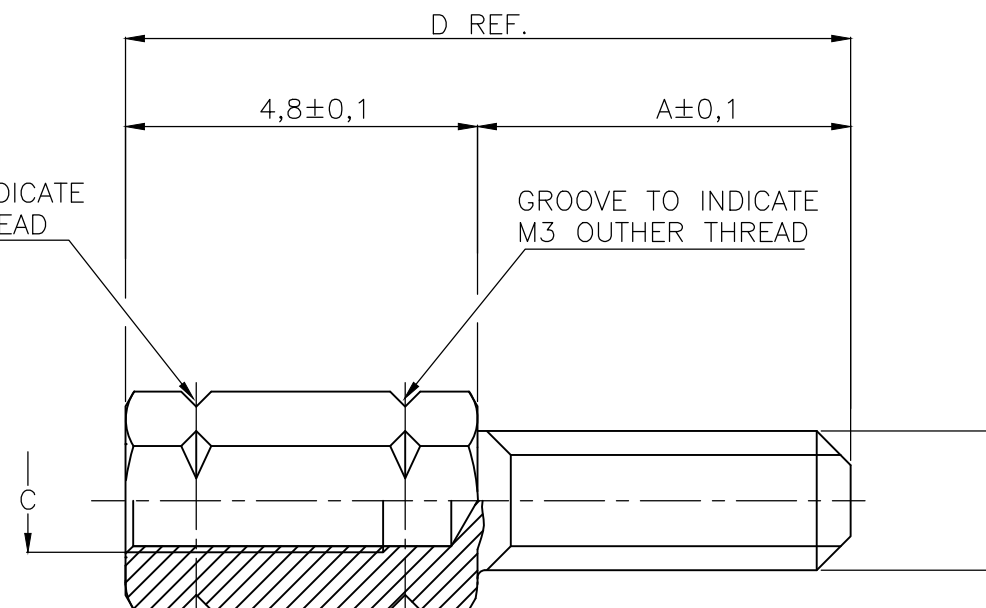
REVISIONS

P	LTR	DESCRIPTION	DATE	DWN	APVD
	K	REVISED PER ECO-16-011204	29AUG2016	AP	DG



GROOVE TO INDICATE M3 INNER THREAD

GROOVE TO INDICATE M3 OUTER THREAD



1	OBSOLETE	10,8	4-40 UNC	4-40 UNC	6,0	TINPLATED	BRASS	3-829261-0
1	OBSOLETE	9,8	M3	4-40 UNC	5,0			2-829261-8
			4-40 UNC	M3	5,0			2-829261-6
			M3	M3	5,0			2-829261-4
			4-40 UNC	4-40 UNC	5,0			2-829261-2
1	OBSOLETE	19,0	M3	4-40 UNC	14,2			1-829261-8
			4-40 UNC	M3	14,2			1-829261-6
			M3	M3	14,2			1-829261-4
	OBSOLETE	12,7	4-40 UNC	4-40 UNC	14,2			1-829261-2
			M3	4-40 UNC	7,9			829261-8
			4-40 UNC	M3	7,9	829261-6		
			M3	M3	7,9	829261-4		
		4-40 UNC	4-40 UNC	7,9	829261-2			
		DIM "D"	DIM "C"	DIM "B"	DIM "A"	FINISH	MATERIAL	PART NUMBER



OBSOLETE PARTS: OBSOLETE CIS STREAMLINING PER D.RENAUD/D.SINISI

THIS DRAWING IS A CONTROLLED DOCUMENT.

DWN D.KESSLER 02APR91

CHK C.V.TILBURG 23APR91

APVD L.V.SOEST 25APR91

PRODUCT SPEC

APPLICATION SPEC

WEIGHT 0

CUSTOMER DRAWING



SCREWLOCK, FEMALE HD-SERIES

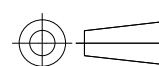
NAME SIZE CAGE CODE DRAWING NO RESTRICTED TO

A3 00779 C-829261

SCALE NTS SHEET 1 OF 1 REV K

DIMENSIONS: mm

TOLERANCES UNLESS OTHERWISE SPECIFIED:



0 PLC	± -
1 PLC	± 0,2
2 PLC	± -
3 PLC	± -
4 PLC	± -
ANGLES	± -
FINISH	-

MATERIAL -

FINISH -

单击下面可查看定价，库存，交付和生命周期等信息

[>>TE Connectivity\(泰科\)](#)