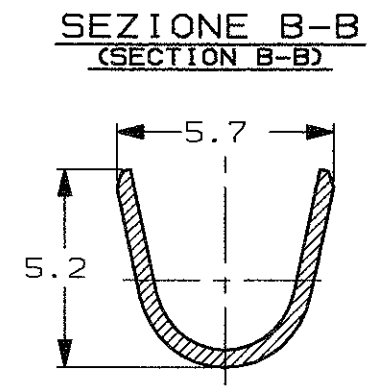
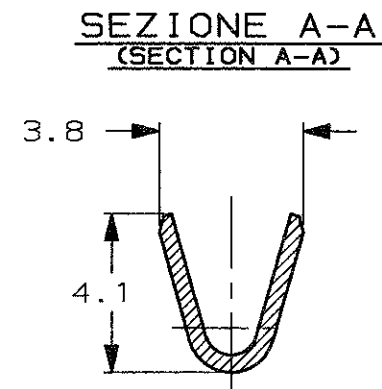
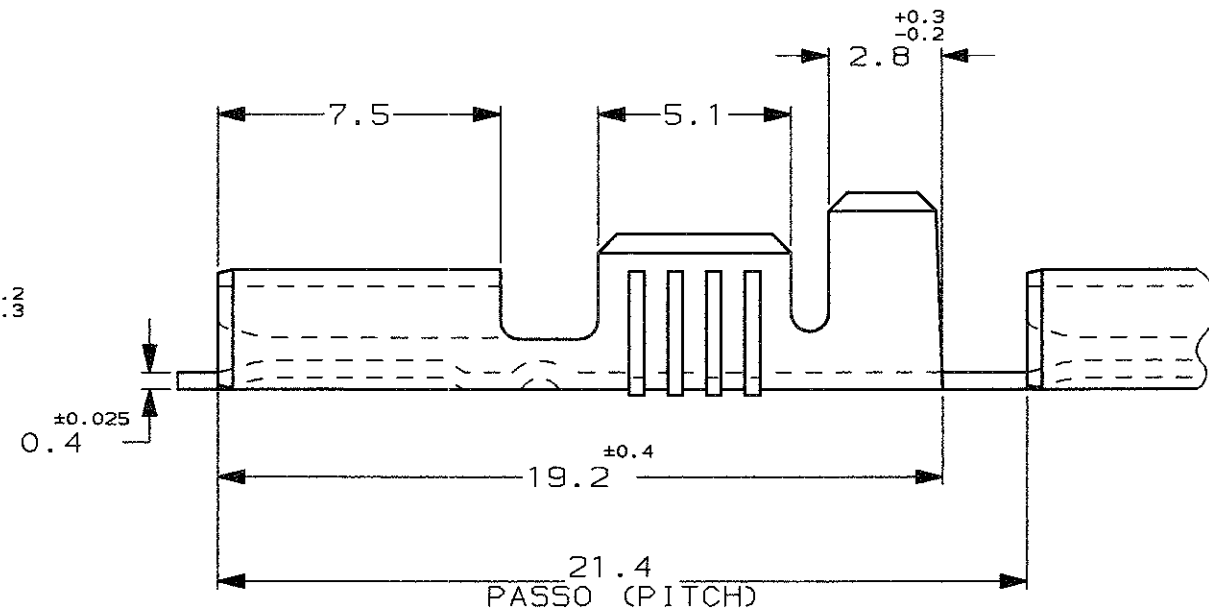
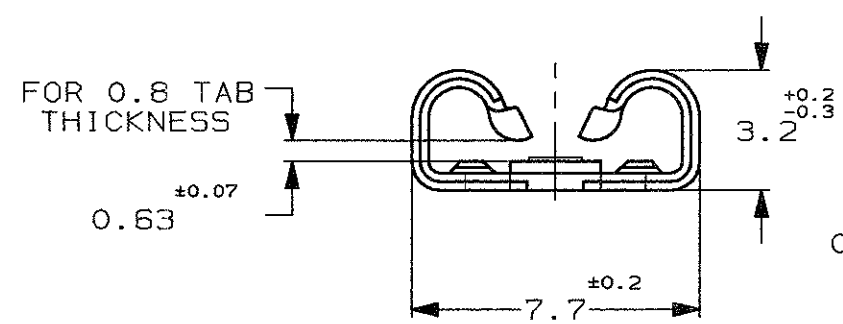
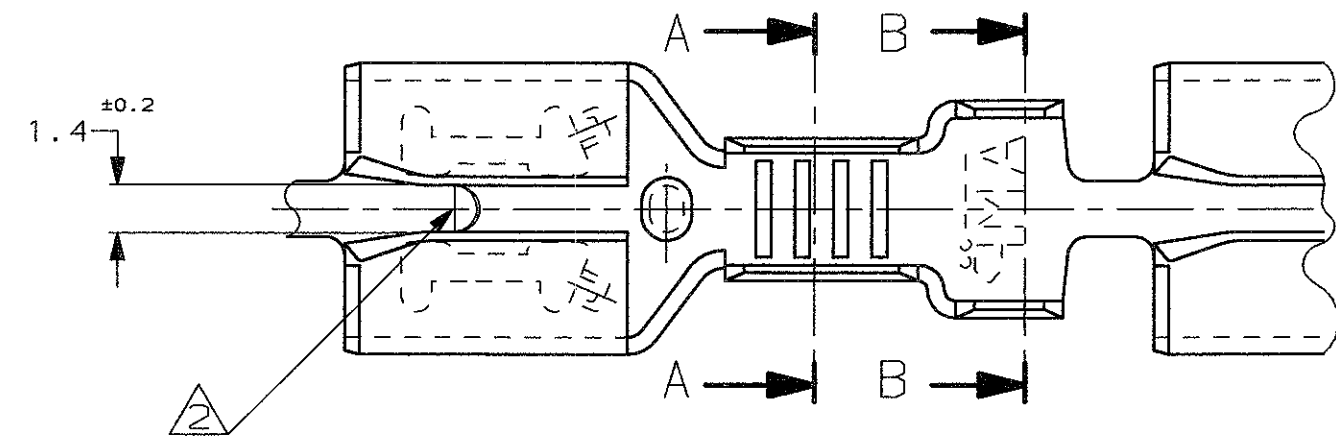


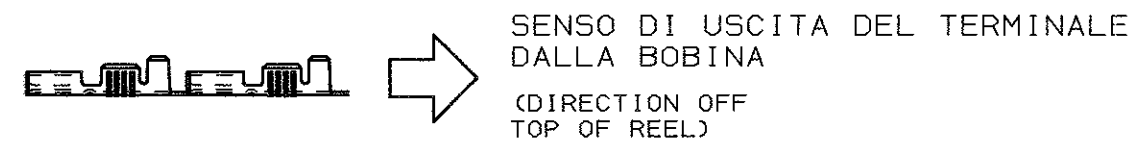
SCALA NON IMPEGNATIVA
(DO NOT SCALE)
DIMENSIONI IN mm
(DIMENSIONS IN mm)

METRIC

PROIEZIONE EUROPEA
(EUROPEAN PROJECTION)



1) STATO DI FORNITURA - SCALA 1:1 -
(SUPPLY CONDITION - SCALE 1:1)



2) VERSIONE SENZA DIMPLE, SPECIFICA DI PRODOTTO 108-19076
(SPECIAL VERSION WITHOUT DIMPLE, PRODUCT SPEC. 108-19076).

3) OBSOLETE PARTS: OBSOLETE CIS STREAMLINING PER D.RENAUD/D.SINISI

2	PRE STAGNATO (PRE-TIN PLATED)	OTTONE (BRASS)	1-100605-2	H	
3	OBSOLETE	STAGNATO (TIN PLATED)	BRONZO FOSF. (PH. BRONZE)	0-100605-8	G
		STAGNATO (TIN PLATED)	BRONZO FOSF. (PH. BRONZE)	0-100605-7	G
3	OBSOLETE	STAGNATO (TIN PLATED)	OTTONE (BRASS)	0-100605-2	G
	NOTE	FINITURA / COLORE (FINISH / COLOUR)	MATERIALE (MATERIAL)	NUMERO (AMP P/N)	REV

CUSTOMER DWG. FOR REFERENCE ONLY		DISEGNO PER CLIENTE SOLO PER RIFERIMENTO	
THIS DRAWING IS UNPUBLISHED		RELEASE FOR PUBLICATION 19	
© COPYRIGHT 19 BY AMP INCORPORATED, HARRISBURG, PA. ALL INTERNATIONAL RIGHT RESERVED. AMP PRODUCTS MAY BE COVERED BY U.S. AND FOREIGN PATENT AND/OR PATENT PENDING			
TOLLERANZE, SE NON DIVERSAMENTE SPECIFICATO (TOLERANCES, UNLESS OTHERWISE SPECIFIED)		DIAM. ISOLANTE (INS. DIA. RANGE) mm	RANGO FILO (WIRE RANGE) mm ²
± 0.3		3.0-4.3	1.0-2.5
ANGOLI (ANGLES) ± 2°		SCALA (SCALE) 5:1	
DIS. H. YAALI (DR.) 10 DEC 99		DESCRIZIONE (DESCRIPTION) FASTON® Connector, .250" sr. LIF REC. CONTACT.	
CONT. C. TARTARI (CHK) 10 DEC 99		LOC. SIZE	NUMERO (DWG NO)
APP. (APP.)		I A3	C-100605
DIS. DATA (DR)		REV. H1	FOGLIO (SHEET) 1 DI (OF) 1

H1	REVISED PER ECO-09-022178	KK	21SEP00
H	CHANGED RAW MAT FOR 1--2	H.Y	15 SEP 2000
G	ET00-0200-00 OBSOLETE PARTS	H.Y	08 MAR 2000
F	ET00-0054-00 ADDED P/N.s	H.Y	31 MAR 2000
E1	ET00-0085-00 REVISE	H.Y	15 FEB 2000
E	ET00-0028-00 REVISED & REDRAWN	H.Y	10 DEC 99
REV.	ET00-0390-99 REVISIONI (REVISION RECORD)	DIS.	DATA (DATE)

单击下面可查看定价，库存，交付和生命周期等信息

[>>TE Connectivity\(泰科\)](#)