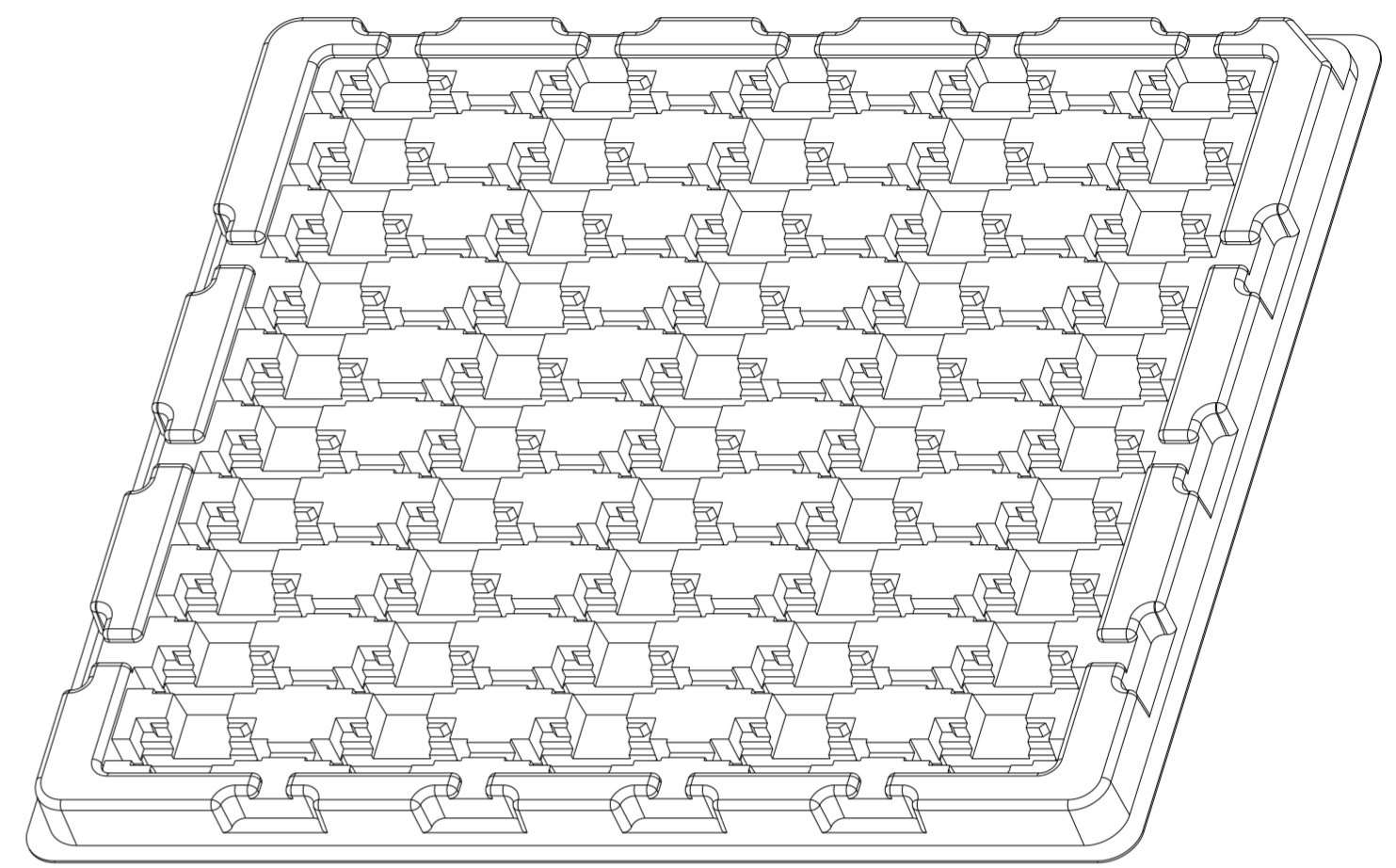
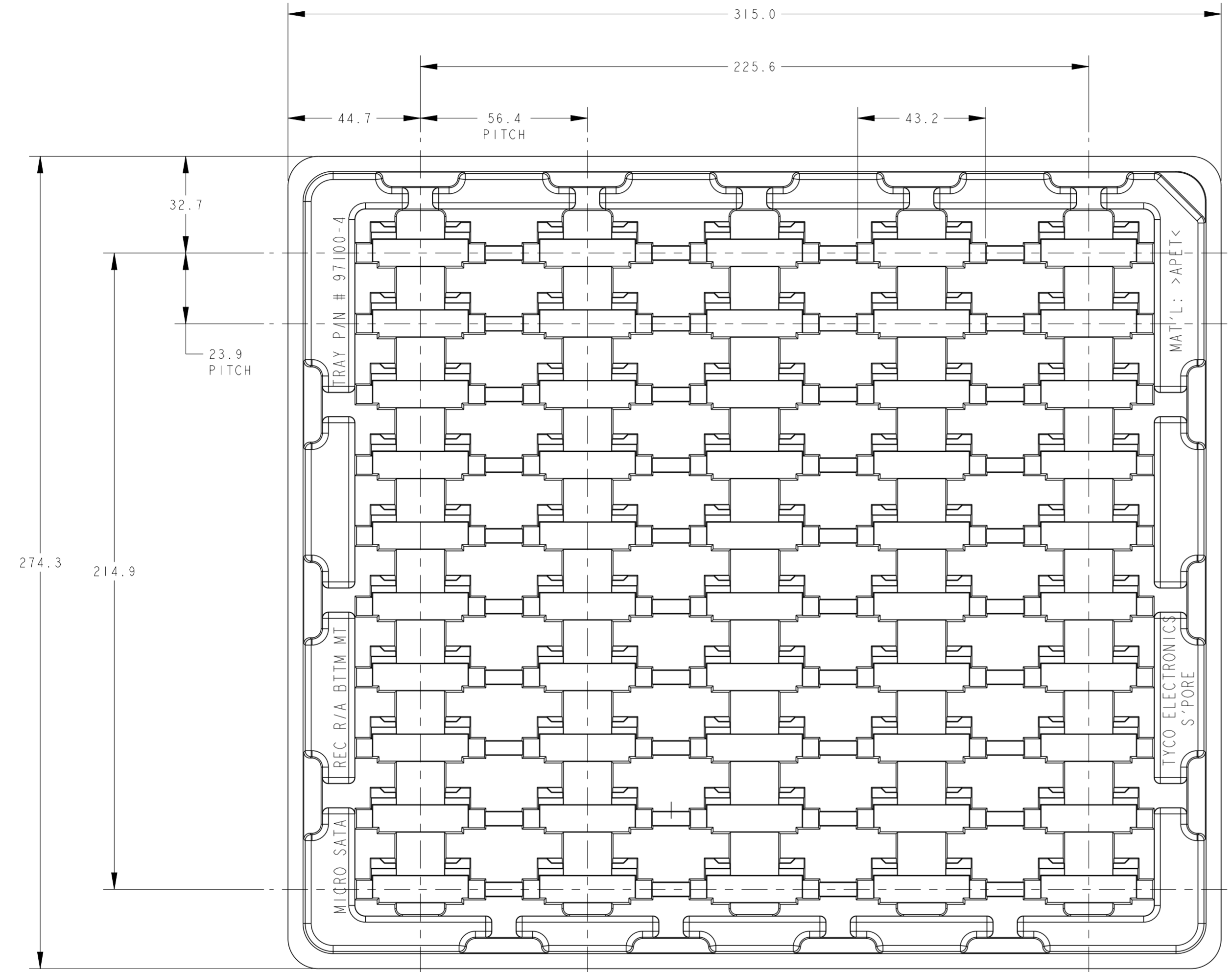
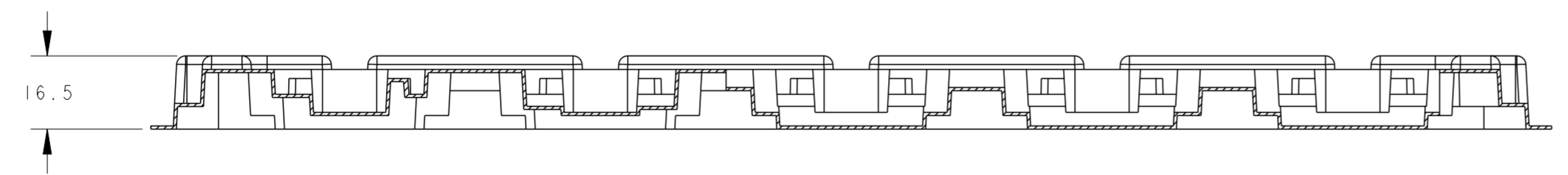


THIS DRAWING IS UNPUBLISHED. RELEASED FOR PUBLICATION 20
 © COPYRIGHT 20 BY - ALL RIGHTS RESERVED.

LOC	DIST	REVISIONS				
P	LTR	DESCRIPTION	DATE	DWN	APVD	
DY	-	SEE SHEET 1	-	-	-	



4. PACKAGE MATERIAL TRAY: APET

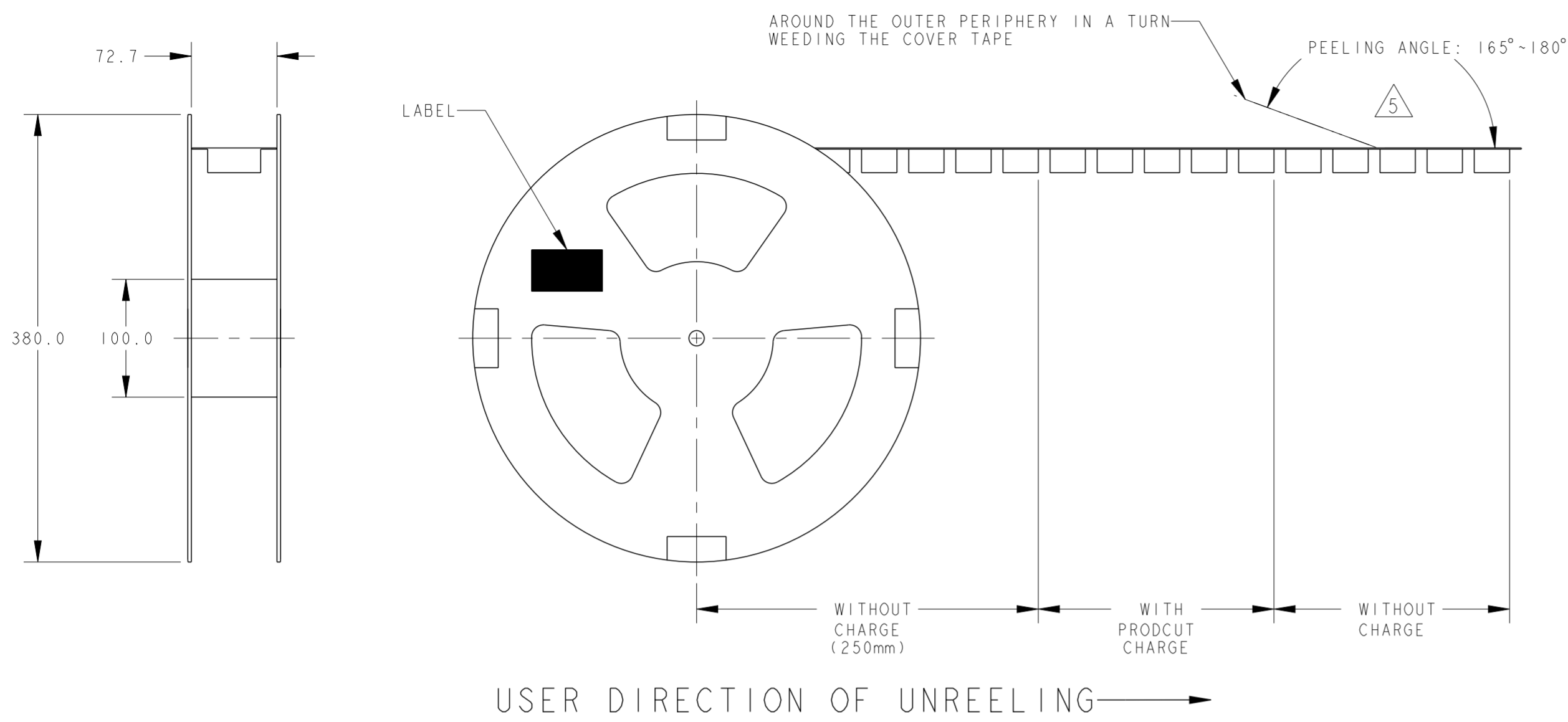


50	11	550	1735583-3
			1735583-2
			1735583-1
PCS/TRAY	TRAY/BOX	PCS/BOX	PART NUMBER

THIS DRAWING IS A CONTROLLED DOCUMENT.		DWN	STE TE Connectivity	
DIMENSIONS: mm		CHK		
TOLERANCES UNLESS OTHERWISE SPECIFIED:		APVD	NAME MICRO SATA RECEPTACLE, 16P RIGHT ANGLE, SMT BOTTOM MOUNT, H5.75	
0 PLC ±		PRODUCT SPEC		
1 PLC ±3		APPLICATION SPEC	SIZE	CAGE CODE
2 PLC ±2		WEIGHT	A2	00779
3 PLC ±1		CUSTOMER DRAWING	DRAWING NO	C-1735583
4 PLC ±		SCALE	NONE	RESTRICTED TO
ANGLES ±3°		SHEET	2	OF 3
FINISH		REV	A3	

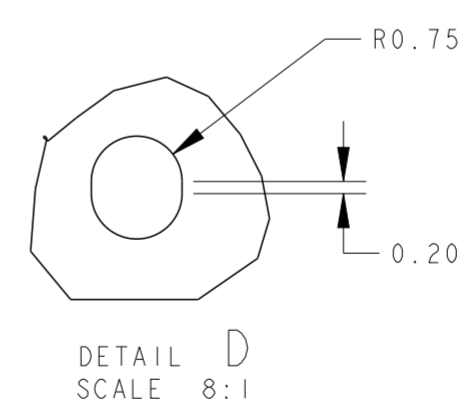
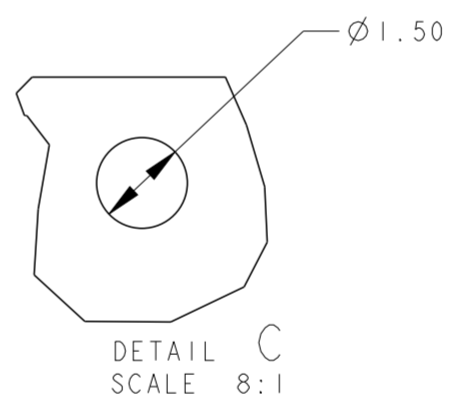
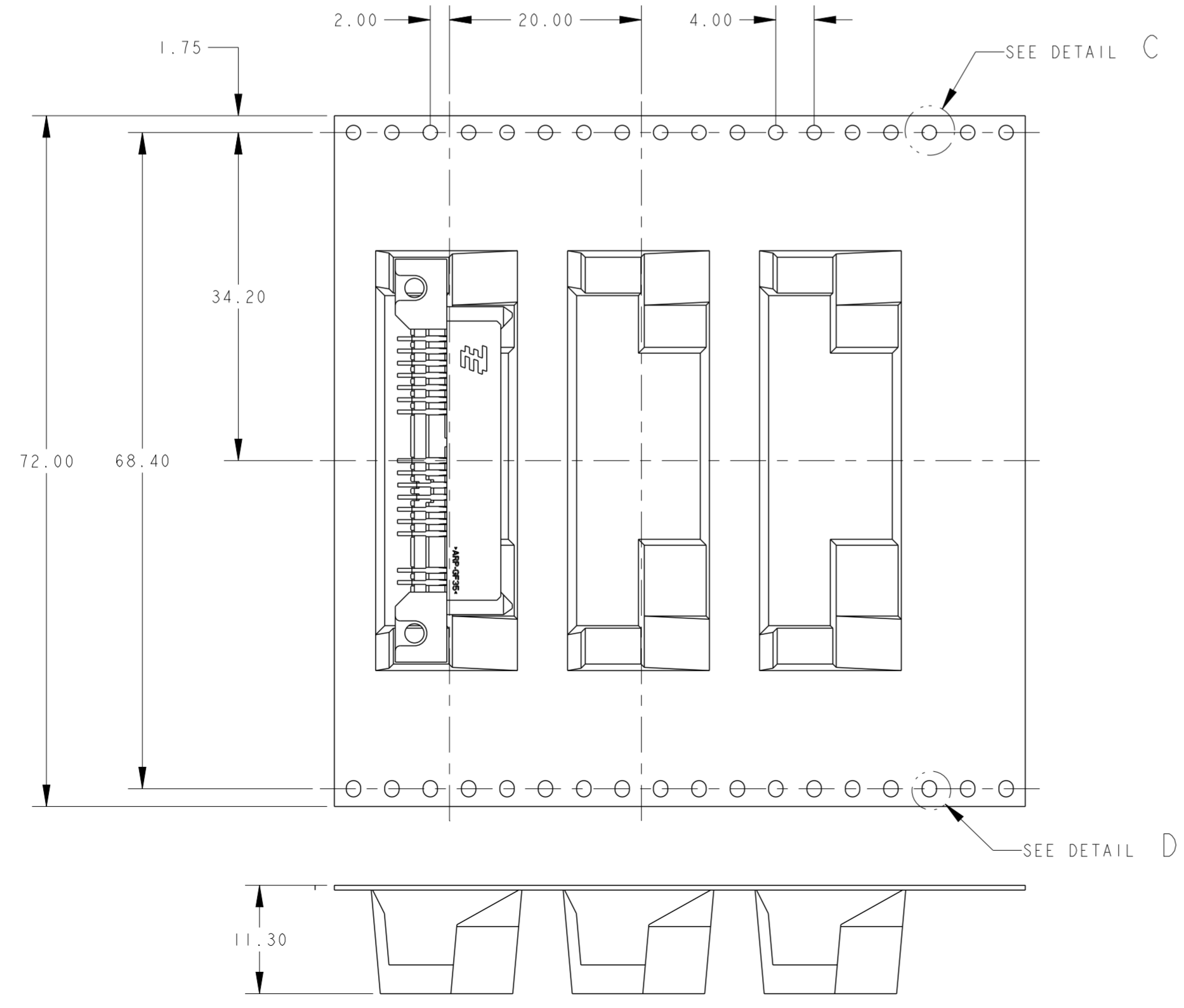
THIS DRAWING IS UNPUBLISHED. RELEASED FOR PUBLICATION 20
 © COPYRIGHT 20 BY - ALL RIGHTS RESERVED.

LOC		DIST		REVISIONS			
P	LTR	DESCRIPTION	DATE	DWN	APVD		
-	-	SEE SHEET 1	-	-	-		



5 PEELING STRENGTH OF COVER TAPE: 0.2N~1.2N

6. PACKAGE MATERIAL
 CARRY TAPE: PS, COLOR: BLACK
 COVER TAPE: PET, COLOR: CLEAR



400	3	1200	1-1735583-3
			1-1735583-2
			1-1735583-1
PCS/REEL	REEL/BOX	PCS/BOX	PART NUMBER

THIS DRAWING IS A CONTROLLED DOCUMENT.		DWN	TE Connectivity	
DIMENSIONS: mm		CHK	NAME	
TOLERANCES UNLESS OTHERWISE SPECIFIED:		APVD	MICRO SATA RECEPTACLE, 16P	
0 PLC	±	PRODUCT SPEC	RIGHT ANGLE, SMT	
1 PLC	±1	APPLICATION SPEC	BOTTOM MOUNT, H5.75	
2 PLC	±0.5	WEIGHT	SIZE	CAGE CODE
3 PLC	±	CUSTOMER DRAWING	A2	00779
4 PLC	±	SCALE	DRAWING NO	
ANGLES	±3°	SHEET	G-1735583	
FINISH		OF	RESTRICTED TO	
		3	-	
		3	REV A3	

单击下面可查看定价，库存，交付和生命周期等信息

[>>TE Connectivity\(泰科\)](#)