

THIS DRAWING IS UNPUBLISHED. RELEASED FOR PUBLICATION
 © COPYRIGHT BY TYCO ELECTRONICS CORPORATION. ALL RIGHTS RESERVED.

LOC	DIST	REVISIONS					
FT	0	P	LTR	DESCRIPTION	DATE	DWN	APVD
		1	-		3/2/07	SS	CR

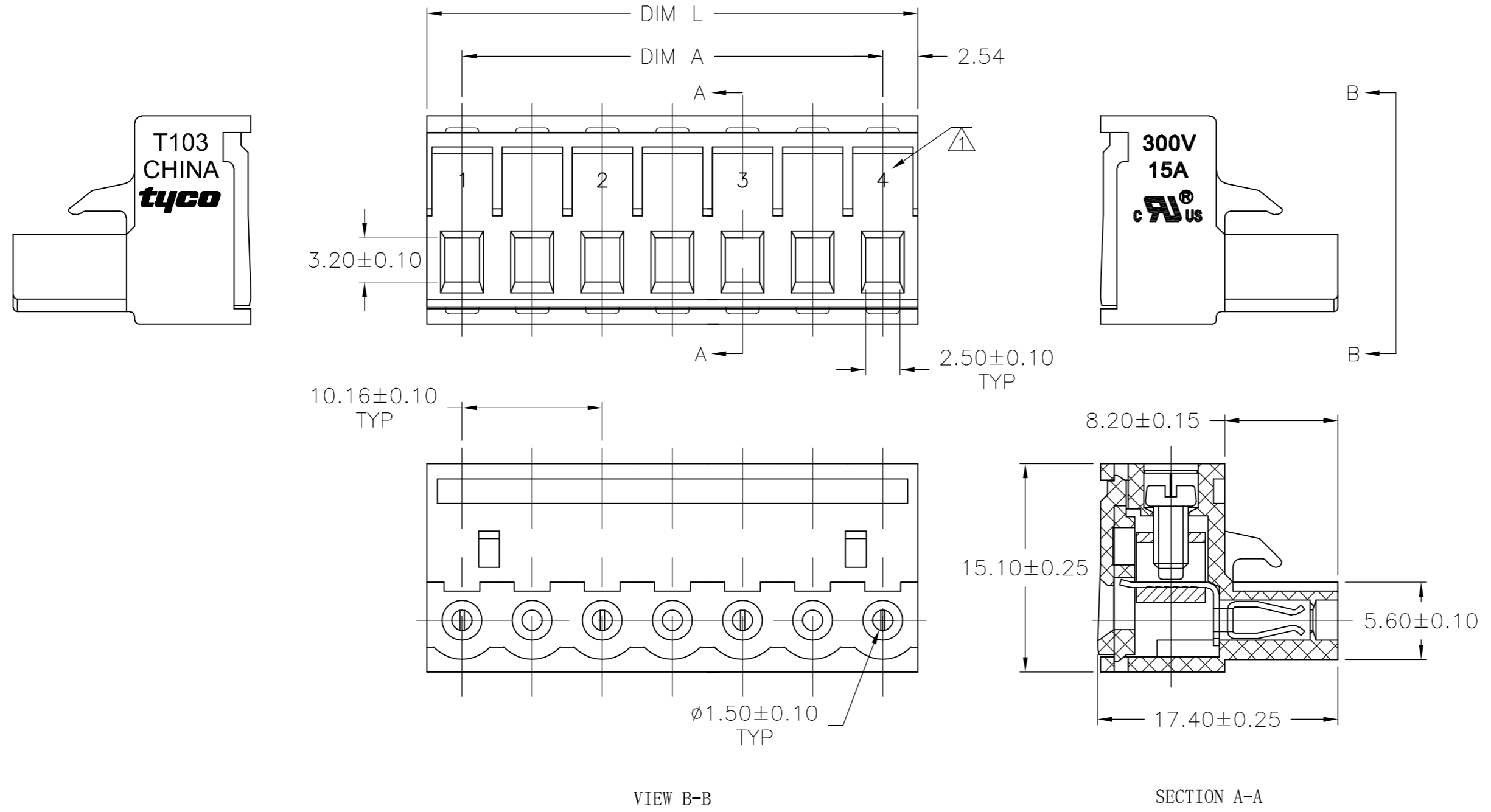
MATERIALS:
 HOUSING: PA66, UL94V-0, GREEN.
 SCREWS; M2.5, STEEL, ZINC CHROMATE.
 CAGE: BRASS, NICKEL PLATE.
 CLAMP: PHOS BRONZE, NICKEL PLATE.

MECHANICAL:
 TIGHTENING TORQUE: 3.5 IN-LB MAX.

ELECTRICAL:
 CURRENT: 15A
 VOLTAGE: 300V
 WITHSTAND VOLTAGE: AC1500V/ 1MIN
 INSULATION RESISTANCE: 5000Mohm/1000V
 WIRE RANGE: 12-28 AWG

ENVIRONMENTAL:
 OPERATING TEMP.: -40° TO +105°C
 MAX SOLDERING: +250°C, 5 SECONDS

▲ MARKED WITH WHITE PERMANENT INK.



THIS PRINT IS
PRELIMINARY
 PRIOR TO CUSTOMER ORDER
 CONTACT PRODUCT ENGINEERING
 BEFORE USING THIS PRINT

SEE FIGURE	35.56±0.30	30.48±0.30	4	1-1776990-4
NOTES	DIM L	DIM A	NO OF POSN	PART NUMBER

THIS DRAWING IS A CONTROLLED DOCUMENT.		DWN S SCHLEGEL 02MAR2007	Tyco Electronics Corporation	
DIMENSIONS: mm		CHK C RICHARD 3/2/07	Harrisburg, PA 17105-3608	
TOLERANCES UNLESS OTHERWISE SPECIFIED:		APVD C RICHARD 3/2/07	NAME TERMINAL BLOCK, R/A PLUG, 10.16mm	
0 PLC ± -		PRODUCT SPEC	-	
1 PLC ± -		APPLICATION SPEC	-	
2 PLC ± -		WEIGHT	-	
3 PLC ± -		SIZE	A2	
4 PLC ± -		CAGE CODE	00779	
ANGLES ± 1°		DRAWING NO	C=1776990	
FINISH		RESTRICTED TO	-	
MATERIAL		CUSTOMER DRAWING	SCALE	NTS
		SHEET	1 of 1	
		REV	1	

单击下面可查看定价，库存，交付和生命周期等信息

[>>TE Connectivity\(泰科\)](#)