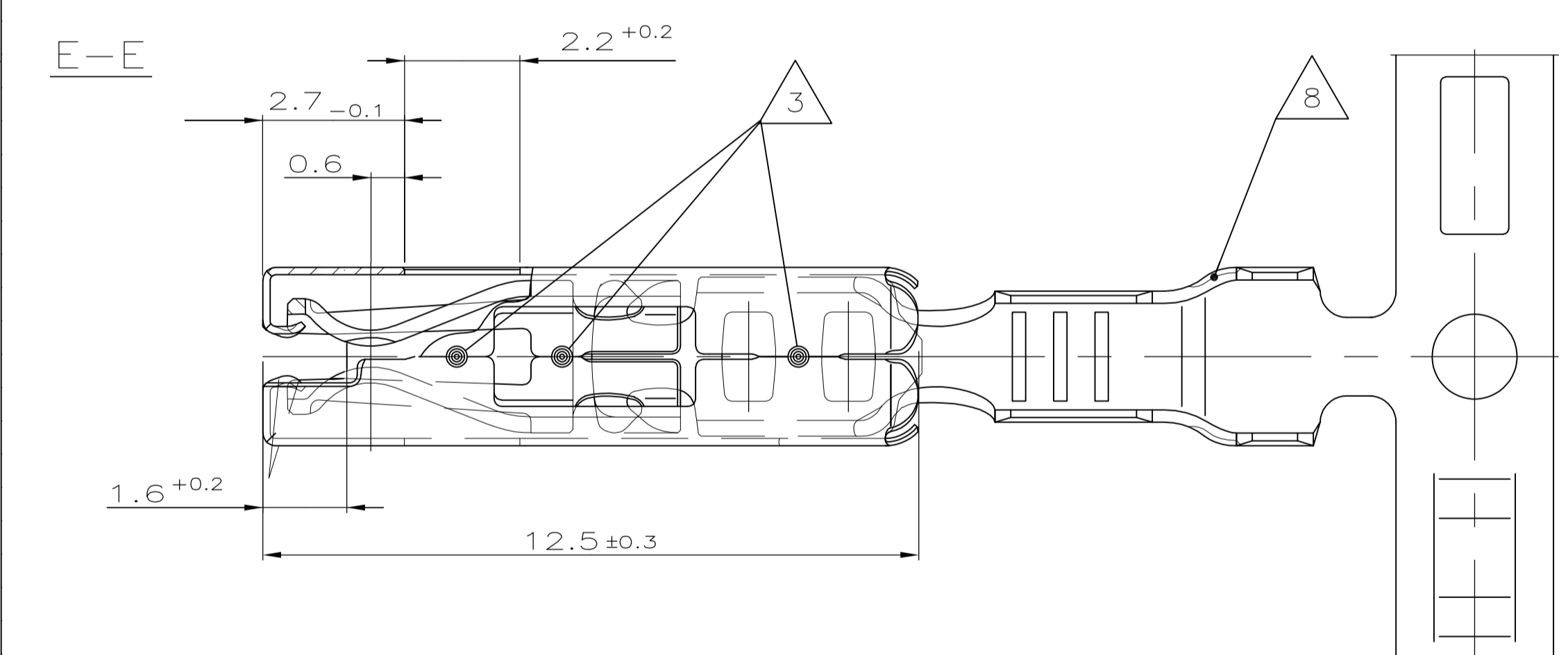
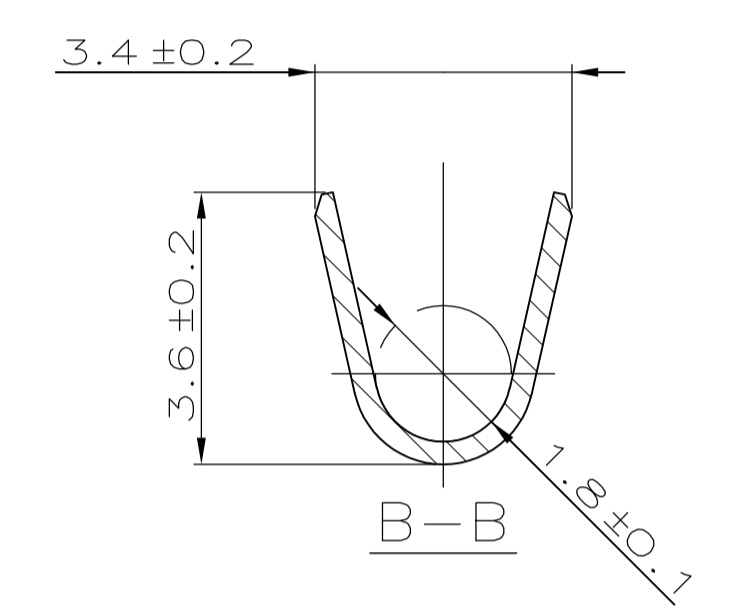
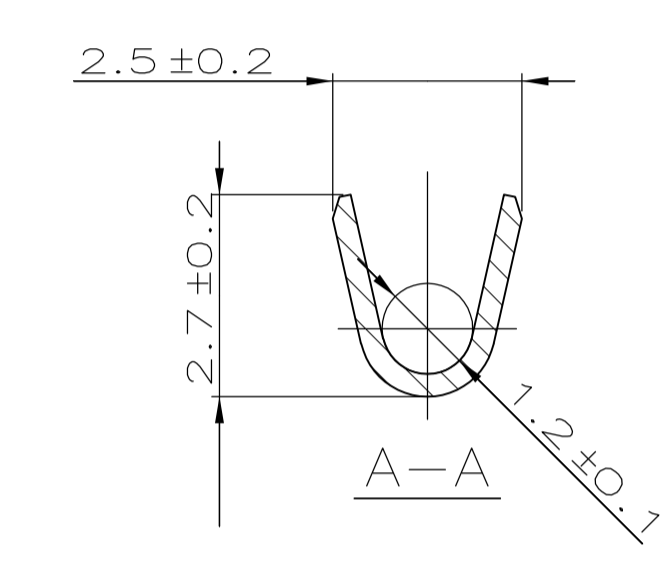
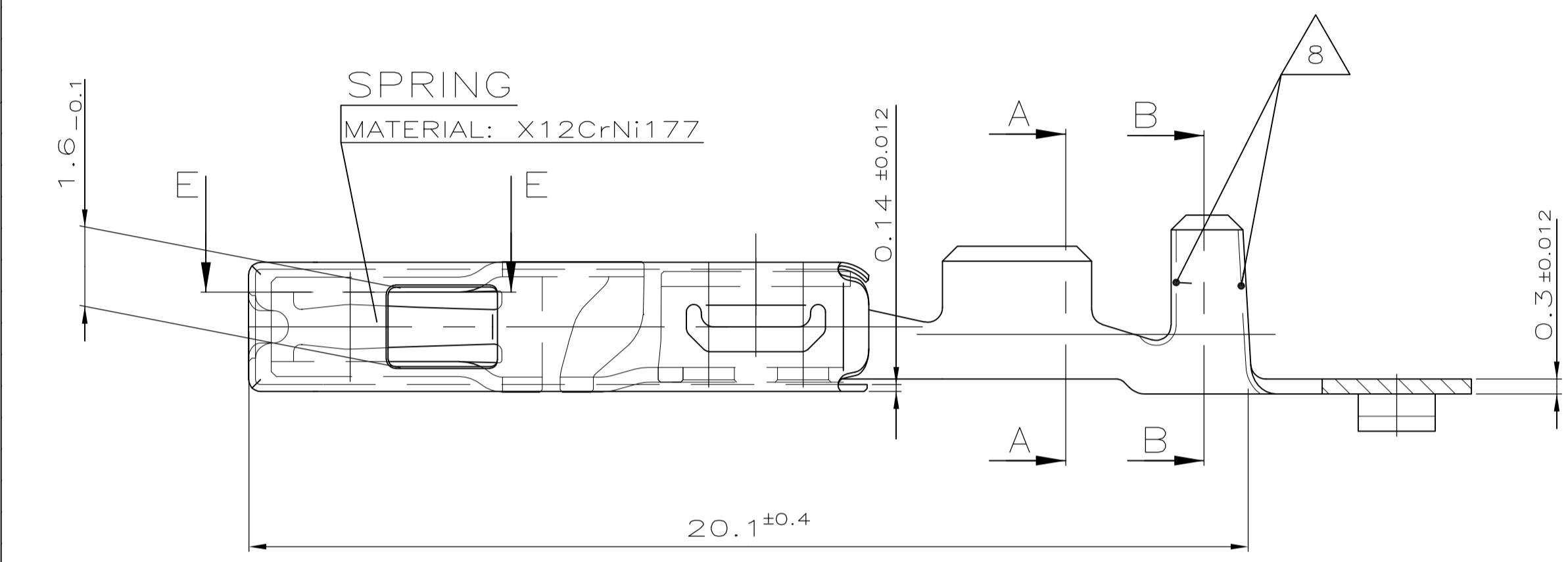
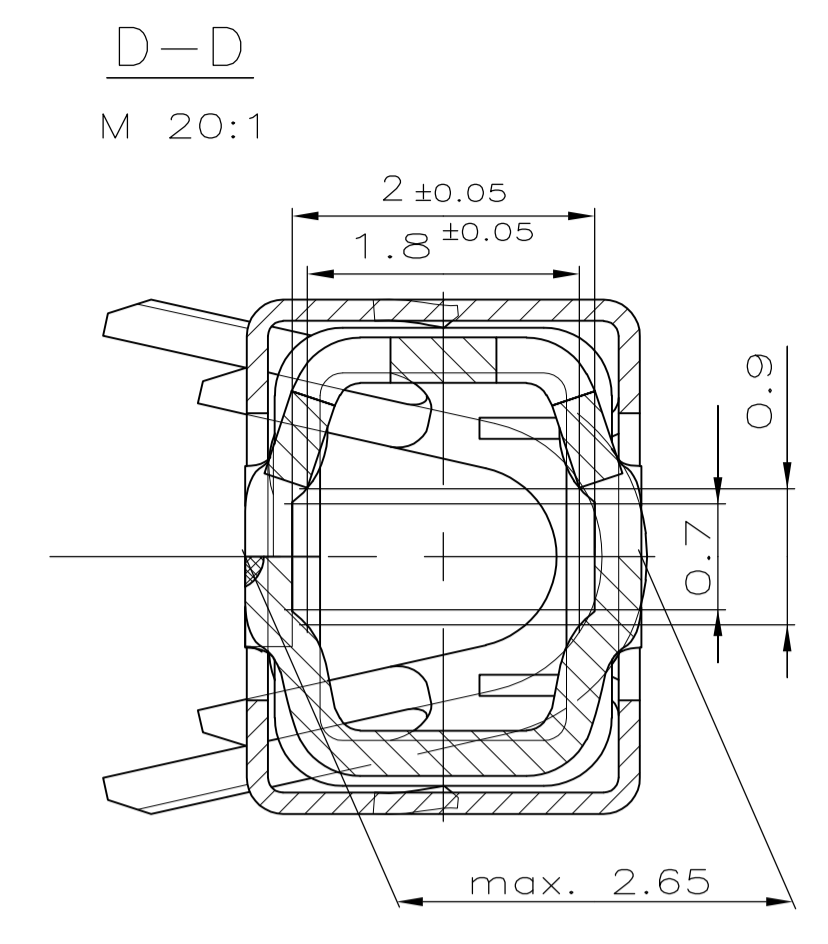
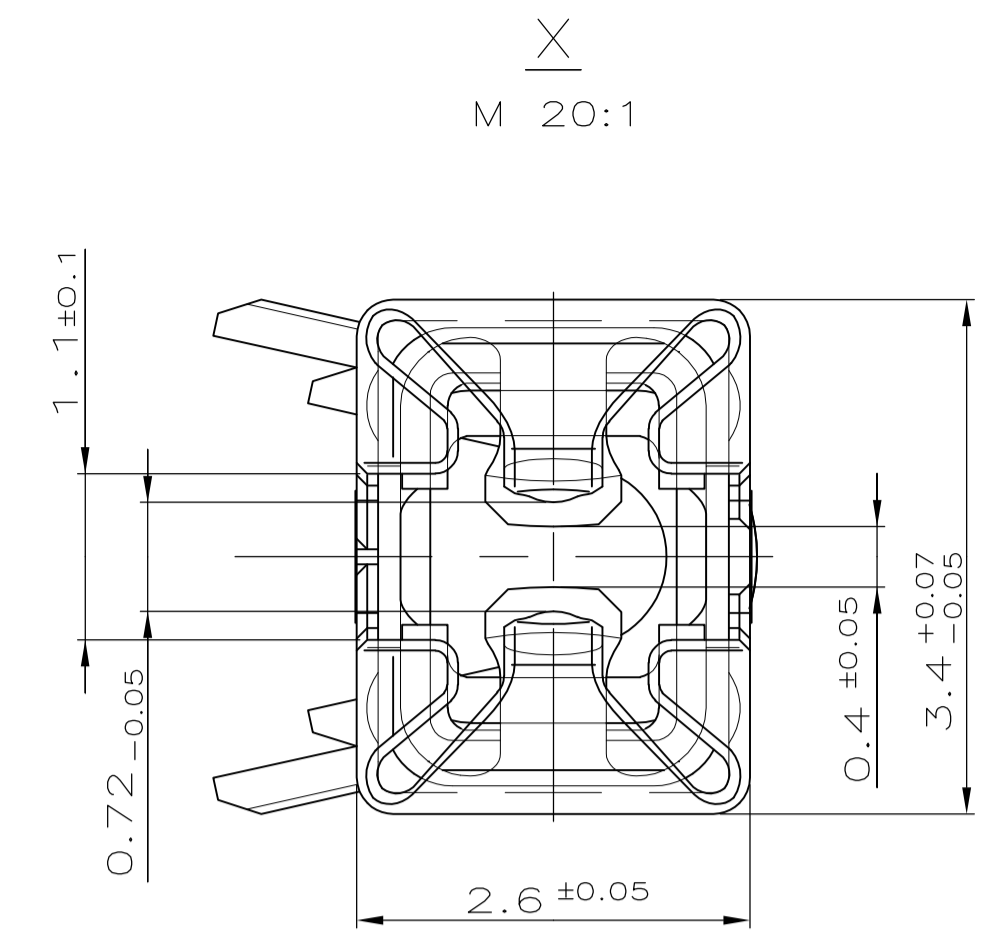
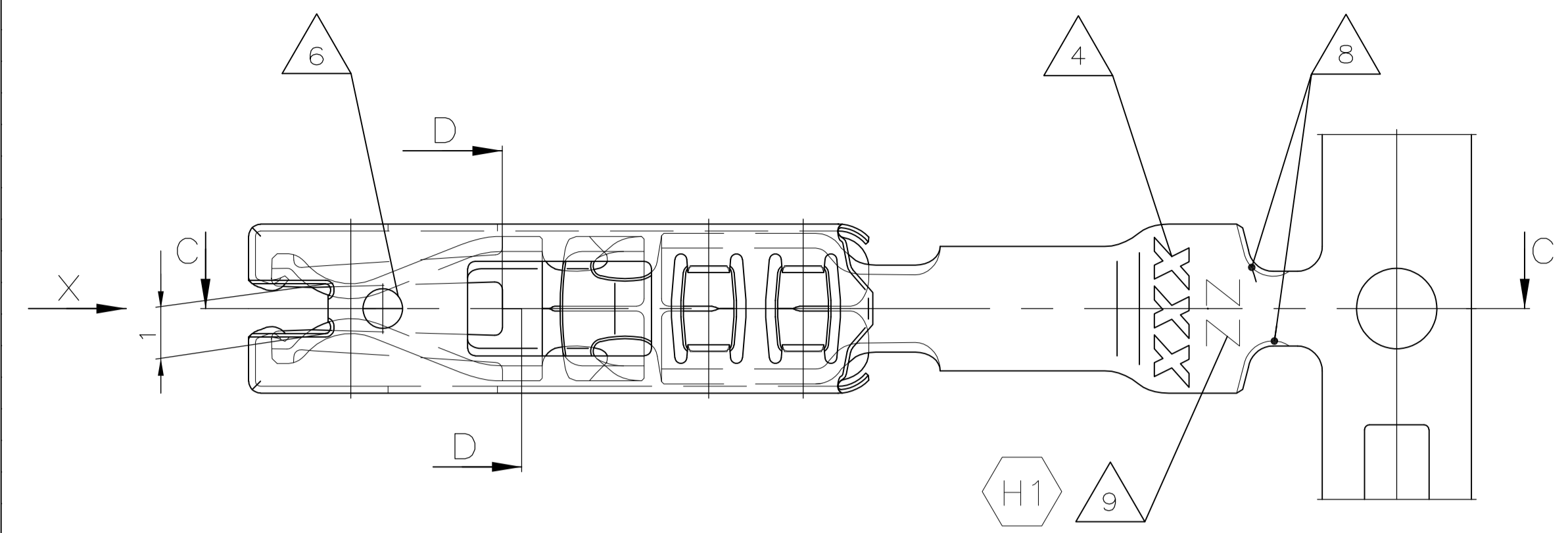
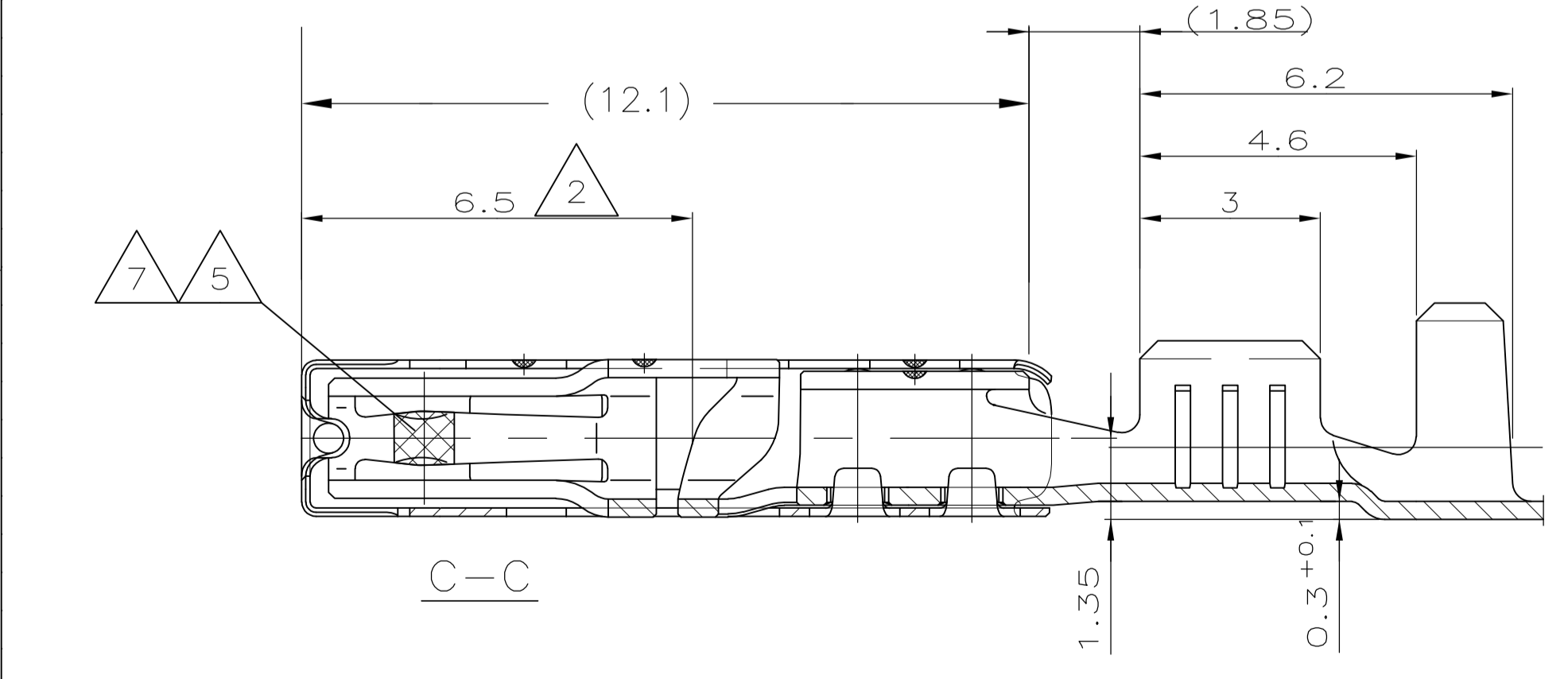


PROJECT NR. : A96-52009		REVISIONS			
REV.	DATE	DESCRIPTION	DATE	BY	CHK
G3	27AUG02	DRAWING OVERWORKED	27AUG02	MP	MB
G4	29.03.06	NEW SILVER VARIANT ADDED	29.03.06	KF	MP
H	26OCT2016	ECR-16-009856	26OCT2016	VH	JP
H1	15SEP2017	NOTE 9 IS ADDED, SPEC NUMBERS ARE UPDATED	15SEP2017	GH	RM



- |  |  |
|--|--|
| 1. TO BE USED ON TAB 1.5±0.1x0.8+0.04/-0.03                                  | 1. Geeignet fuer Flachstecker 1.5±0.1x0.8+0.04/-0.03   |
| 2 MAXIMUM INSERTION DEPTH  | 2 Groesste Einstecktiefe   |
| 3 LASERWELDED (4x)   | 3 Lasergeschweisst (4x)  |
| 4 BRANDNAME AND REVISION STATUS  | 4 Hertseller-Logo und Revisionsstand   |
| 5 1µm TO 1,4µm GOLDPLATE OVER NICKEL IN LOCALIZED AREA; TINPLATED REMAINDER. | 5 1µm bis 1,4µm Goldueberzug ueber Nickel im gekennzeichneten Bereich; Rest galvanisch verzinkt. |
| 6 INDEX AT SPRING FOR GOLDPLATING ONLY                                       | 6 Kennzeichnung an der Ueberfeder fuer Vergoldung  |
| 7 3-5µm SILVERPLATING IN LOCALIZED AREA TINPLATED REMAINDER                  | 7 3-5µm Silberueberzug im gekennzeichneten Bereich Rest galvanisch verzinkt                      |
| 8 BREAK EDGE IN THIS AREA  | 8 Kante in diesem Bereich entschaeft   |
| H1 9 INDEX 'Au' FOR GOLD PLATING, 'Ag' FOR SILVERPLATING                     | 9 Kennezeichnung 'Au' nur fuer Goldueberzug, 'Ag' fuer Silberueberzug                            |



IDENTIFICATION	TYPE OF PRODUCT	DWG.- NO.
3	SERIE	929027
-	-	-
-	-	-

REV.	CUSTOMER PART NO.	AMP PART NO.	REV.	PCS.	MATERIAL	SURFACE COLOR	DESCRIPTION
-	-	-	-	-	-	-	-
A	-	929027-3	A	-	CuNiSi	SILVER/TINPLATED	WIRE SIZE 0,5 TO 1mm <sup>2</sup>
C	-	929027-2	C	-	CuNiSi	PRETINNED	WIRE SIZE 0,5 TO 1mm <sup>2</sup>
G	-	929027-1	G	6	CuNiSi	GOLD-/TINPLATED	WIRE SIZE 0,5 TO 1mm <sup>2</sup>

THIS DRAWING IS A CONTROLLED DOCUMENT.

DIMENSIONS: mm	TOLERANCES UNLESS OTHERWISE SPECIFIED: ±0.05 mm	DIN Egenolf. B. 10-NOV-1997	TE Connectivity
0. PLC ±0.05	1. PLC ±0.05	03-JUL-2001	
2. PLC ±0.05	3. PLC ±0.05	15-NOV-2001	
4. PLC ±0.05	ANGLES/WINKEL ±		
MATERIAL	FINISH	NAME	1,5mm SENSOR FLATTYPE RECEPTACLE 1,5mm Sensor Flachkontakt
		PRODUCT SPEC	108-18617
		APPLICATION SPEC	114-18254-1
		WEIGHT	A1 00779 929027
		CUSTOMER DRAWING	SCALE 10:1 SHEET 1 of 1 REV H1

单击下面可查看定价，库存，交付和生命周期等信息

[>>TE Connectivity\(泰科\)](#)