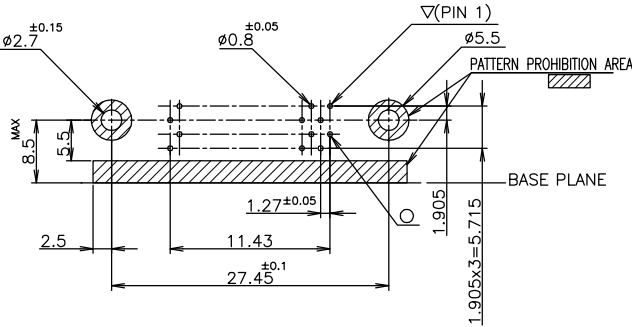
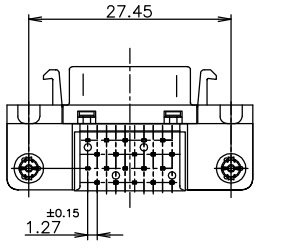
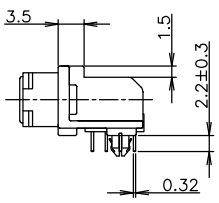
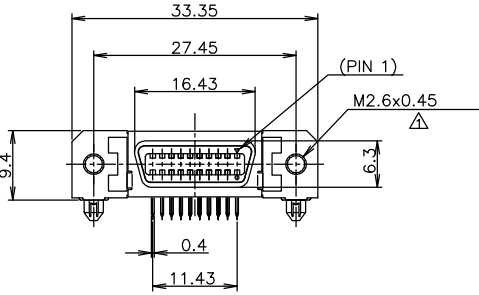
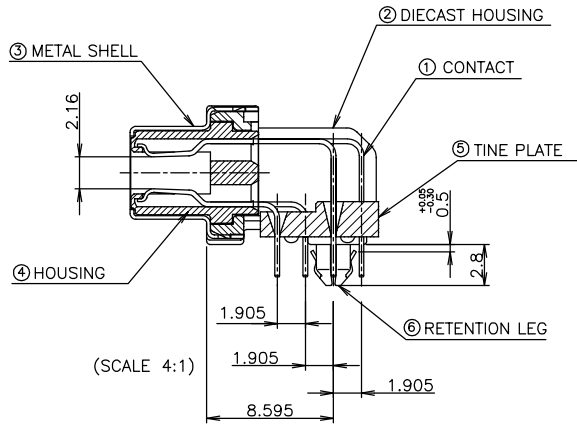
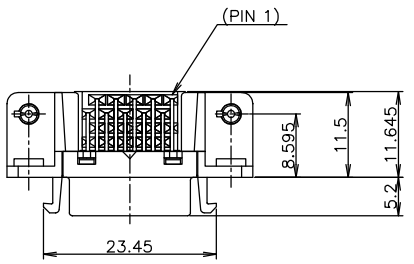
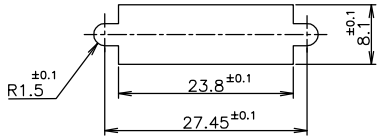


LOC		DIST		REVISIONS				
P	LTR	DESCRIPTION	DATE	DRN	APVD			
J	A	REVISED	ECR-05-007904	29JUL05	C.Z	S.Y		

ITEM	MATERIAL	FINISH
①	COPPER ALLOY	NICKEL UNDER PLATE ALL OVER CONTACT AREA ; Au(0.0003) SOLDER TINE AREA ; TIN PLATE
②	ZINC	NICKEL PLATING
③	STEEL t0.25	NICKEL PLATE OVER COPPER UNDERPLATE
④	THERMO-PLASTIC	COLOR; BLACK
⑤		
⑥	COPPER ALLOY	TIN PLATE OVER NICKEL UNDERPLATE



RECOMMENDED PC BOARD MOUNTING DIMMENSION COMPONENT SIDE



RECOMENDED PANEL CUTOUT THK, 2mm MAX

- △ RECOMMENDED SCREW SIZE ; M2.6 PANHEAD SCREW(L=5)
- 2 RECOMMENDED P.C BOARD THICKNESS ; 0.6~1.0 (REF)
- 3 INSERTION FORCE OF RETENTION LEG TO P.C.B; 21.56N(2.2kgf) MAX/CONNECTOR.
- 4 RETENTIVITY OF RETENTION LEG TO P.C.B; 4.9N(0.5kgf) MIN/CONNECTOR.

LEAD FREE

0.0003	20	5178240-2
Au P.LT.	POS.	PART NO.

THIS DRAWING IS A CONTROLLED DOCUMENT.		DRN	COREL WANG	31AUG04	Tyco Electronics AMP K.K.			
		CHK	STEVEN YAO	31AUG04	Kawasaki, Japan			
		APVD	JENOMOTO	31AUG04	RECEPTACLE HDR ASSY (2.2mm)			
		PRODUCT SPEC	108-60043	RETENTION LEG TYPE				
		APPLICATION SPEC		STANDARD CHAMP.050 SERIES (II)				
DIMENSIONS: mm		TOLERANCES UNLESS OTHERWISE SPECIFIED:		SIZE		CAGE CODE	DRAWING NO	RESTRICTED TO
0 PLC ± 0.2 1 PLC ± 0.2 2 PLC ± 0.2 3 PLC ± 0.2 4 PLC ± 0.2 ANGLES ± 3°		WEIGHT SEE TABLE		A2		00779	C-5178240	
MATERIAL SEE TABLE		FINISH SEE TABLE		CUSTOMER DRAWING		SCALE	SHEET	REV
						2:1	1 of 1	A

5178240

单击下面可查看定价，库存，交付和生命周期等信息

[>>TE Connectivity\(泰科\)](#)