

4

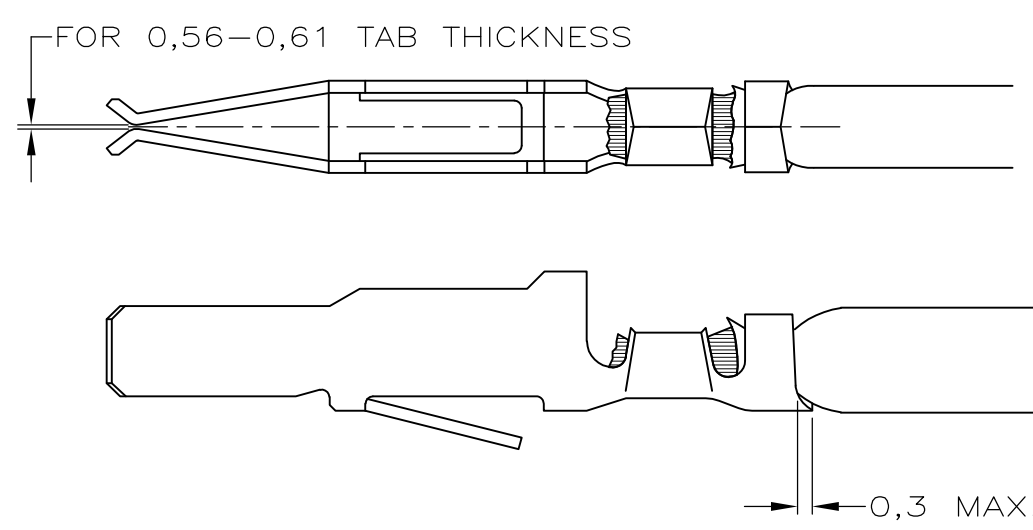
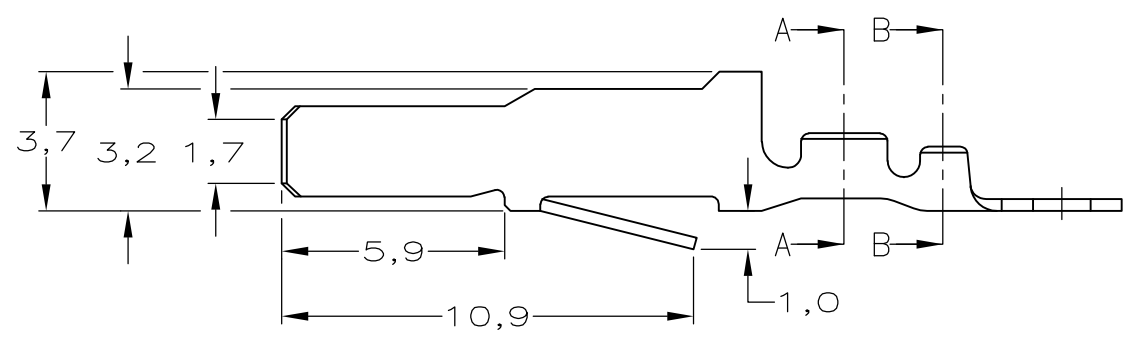
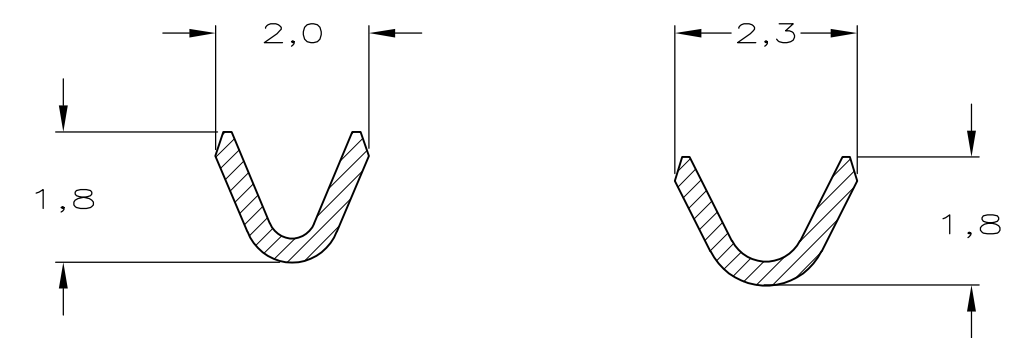
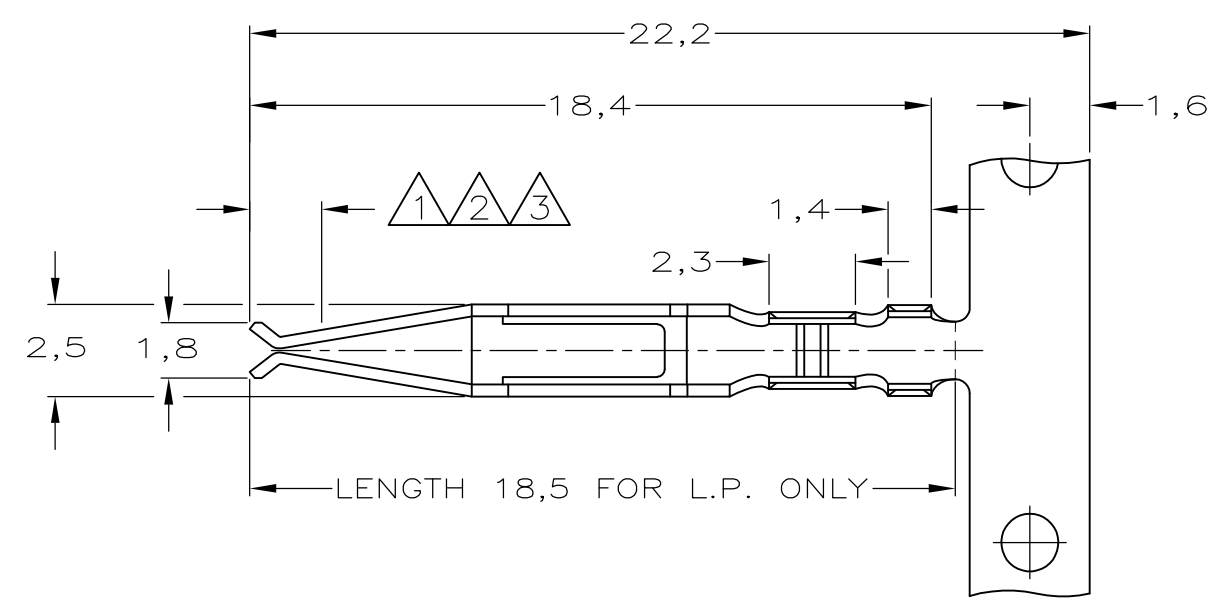
3

2

1

THIS DRAWING IS UNPUBLISHED. RELEASED FOR PUBLICATION  
 © COPYRIGHT - By - ALL RIGHTS RESERVED.

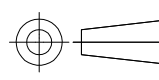
LOC	DIST	REVISIONS					
		P	LTR	DESCRIPTION	DATE	DWN	APVD
-	-	C	EH-1280-95		25-10-95	J.G.	R.v.L
		C1	ECR-10-026542		05JAN11	KK	HMR



NOTES:

- ① 1,25 μm SELECTIVE Au OVER 1,25 μm Ni. REMAINDER 1,25 μm Ni.
- ② 0,75 μm SELECTIVE Au OVER 1,25 μm Ni. REMAINDER 1,25 μm Ni.
- ③ 0,4 μm SELECTIVE Au OVER 1,25 μm Ni. REMAINDER 1,25 μm Ni.
- ④ WIRE RANGE 0,05-0,14 mm<sup>2</sup>, INSULATION RANGE 0,3-0,7 mm.
- ⑤ OBSOLETE

⑤ 166631-3	SEE NOTE ③	PHOSPHORBRONZE	⑤ 166459-4
⑤ 166631-2	SEE NOTE ②	PHOSPHORBRONZE	166459-3
⑤ 166631-1	SEE NOTE ①	PHOSPHORBRONZE	⑤ 166459-2
LOOSE PIECE	FINISH	MATERIAL	PARTNUMBER

THIS DRAWING IS A CONTROLLED DOCUMENT.		DWN J.Gibbels 25-10-95	<b>STE</b> TE Connectivity	
		CHK R.v.Lokven 02-11-95		
DIMENSIONS: mm		APVD -	NAME	
		PRODUCT SPEC -	CRIMP-ON / SNAP-IN TAB RECEPTACLE STRIP	
		APPLICATION SPEC -	RESTRICTED TO -	
MATERIAL -	FINISH -	WEIGHT -	SIZE A3	CAGE CODE 00779
		DRAWING NO C-166459		RESTRICTED TO -
		CUSTOMER DRAWING		SCALE - SHEET 1 OF 1 REV C1

单击下面可查看定价，库存，交付和生命周期等信息

[>>TE Connectivity\(泰科\)](#)