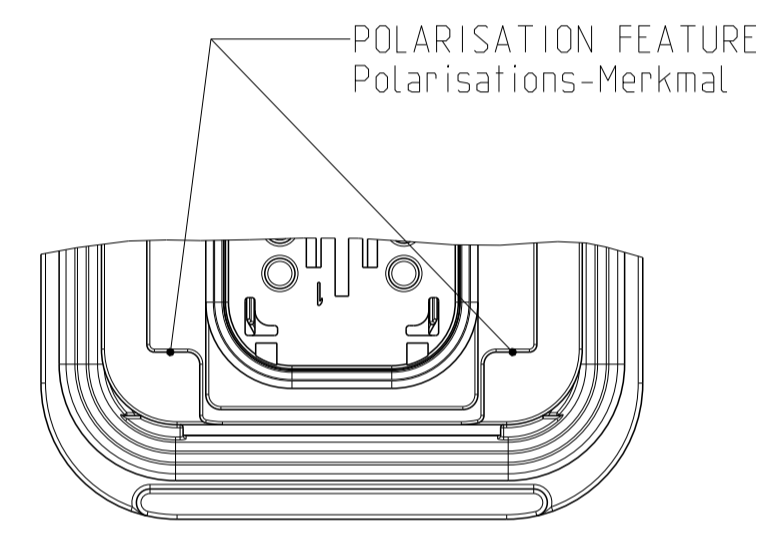
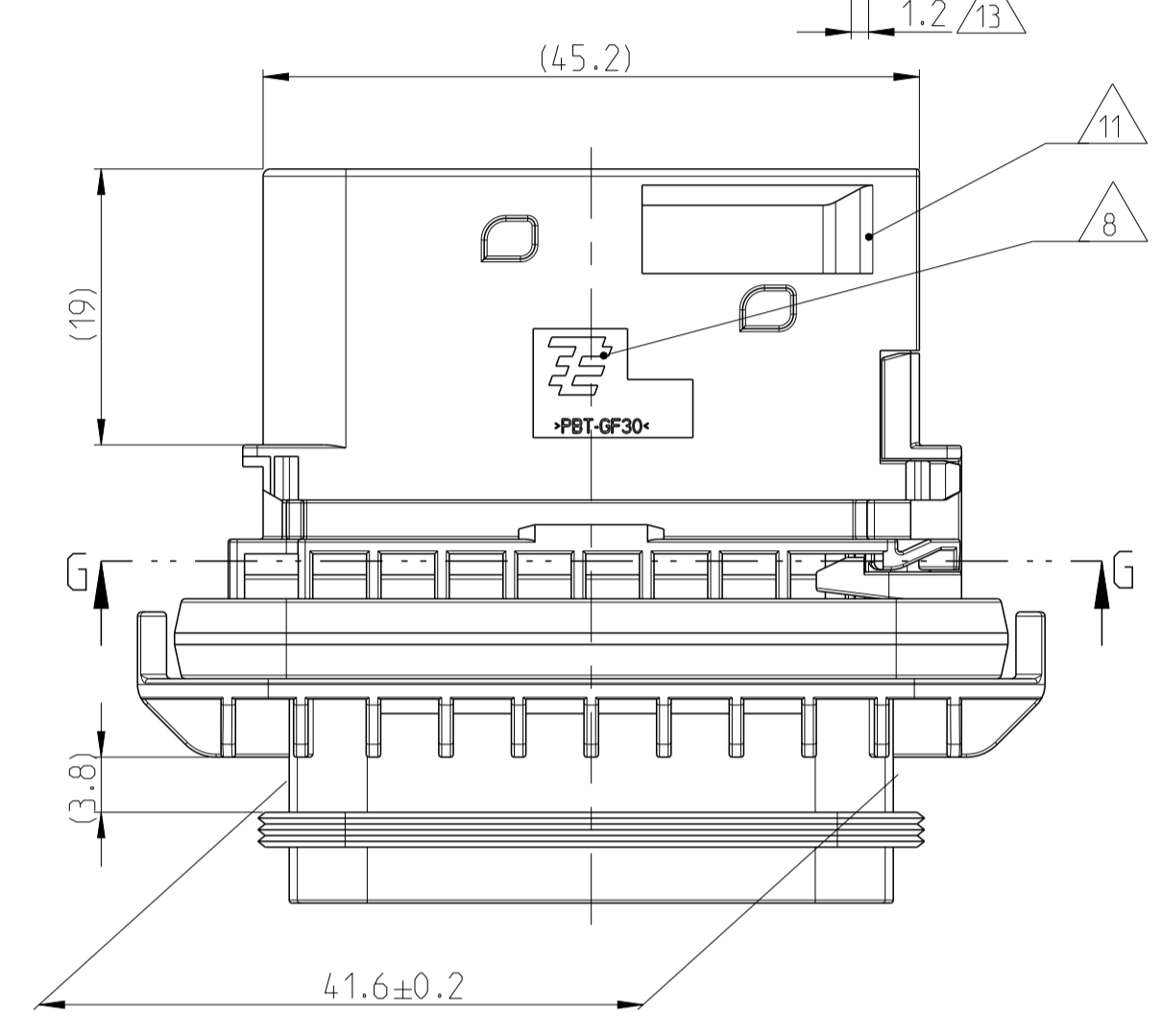
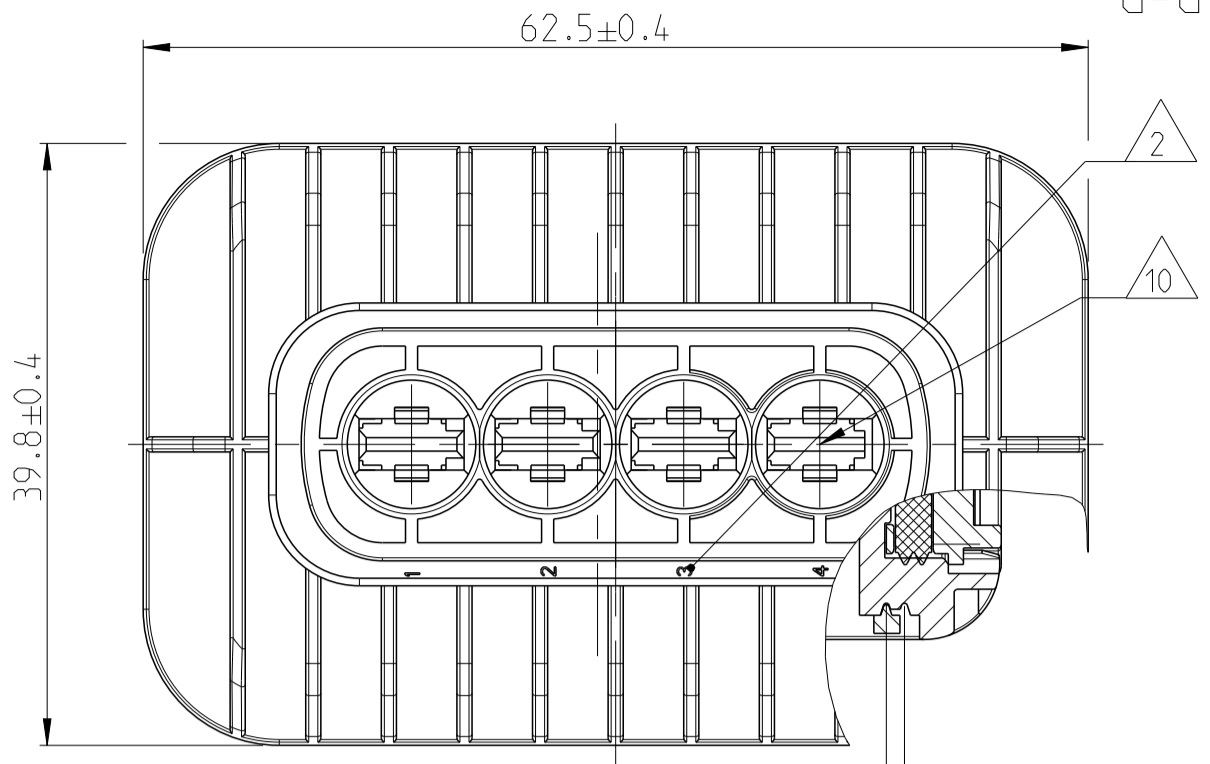
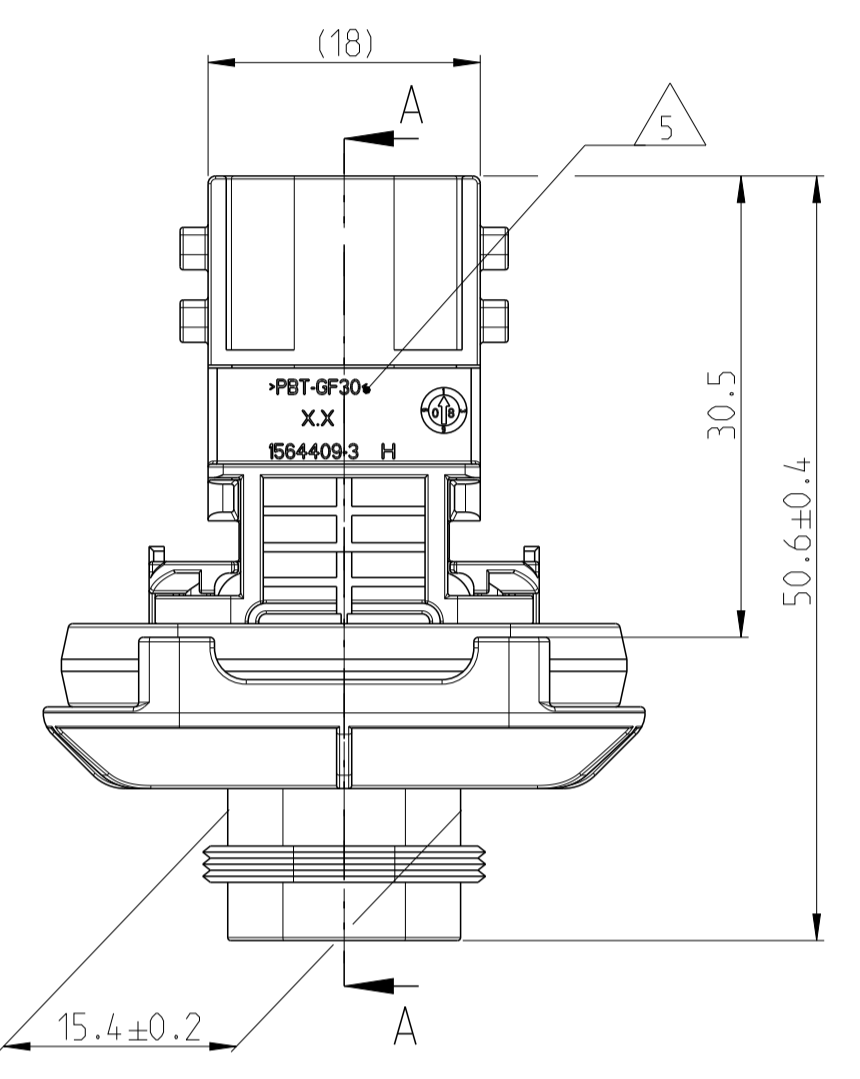


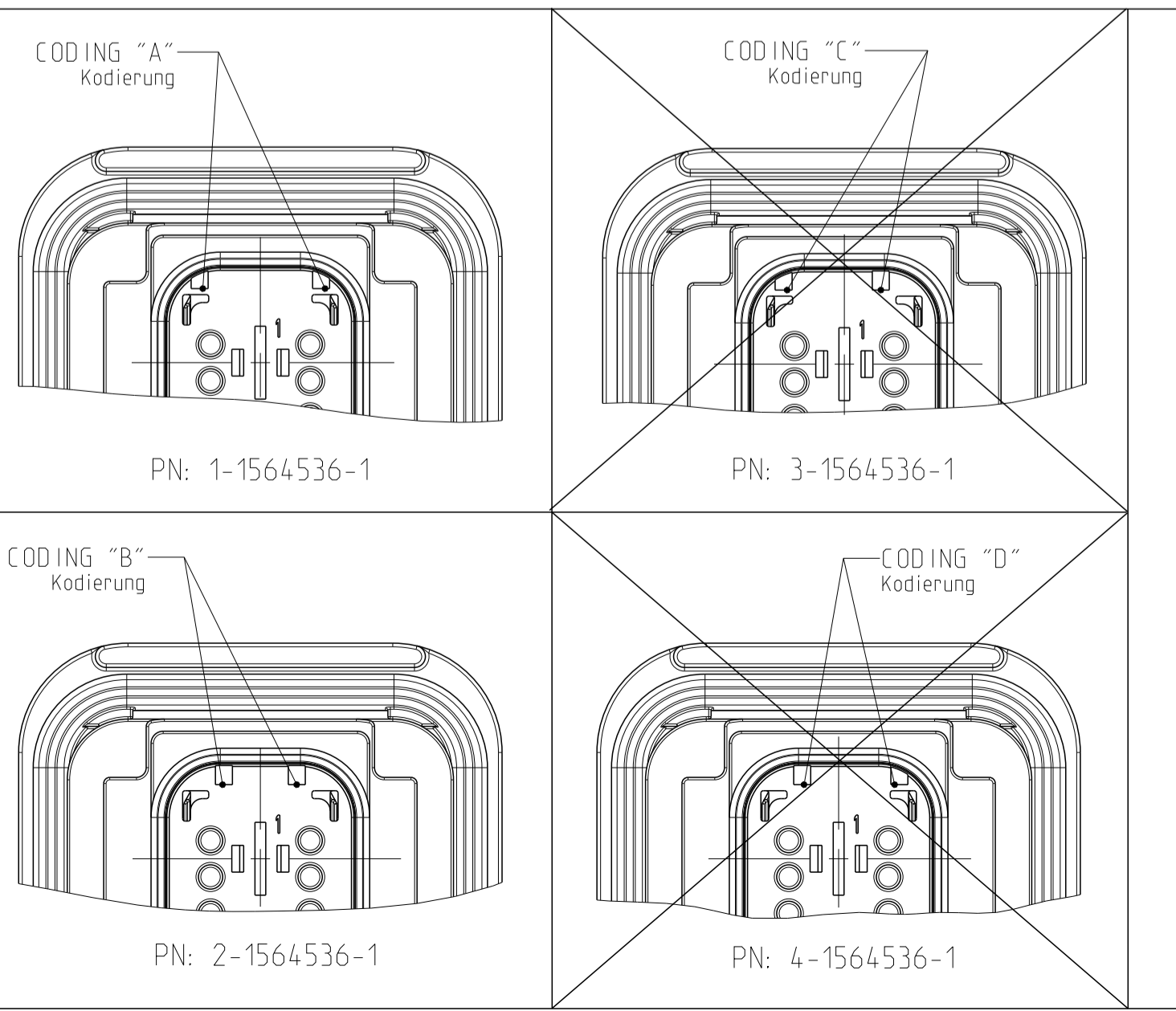
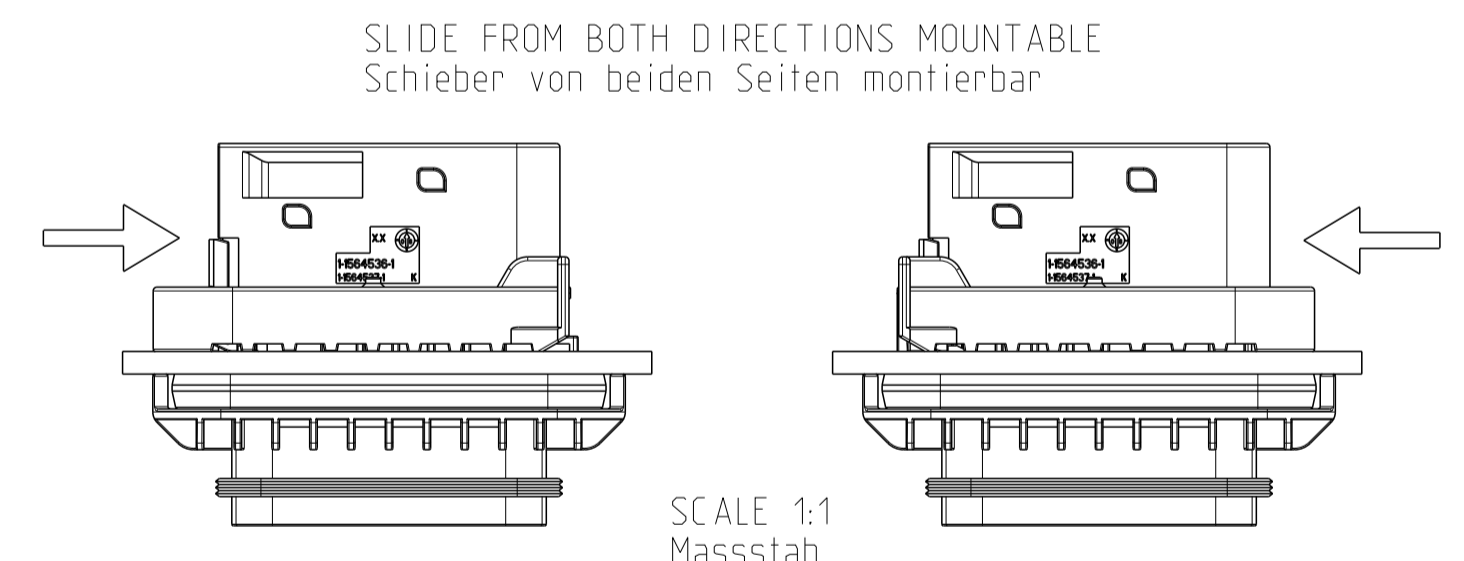
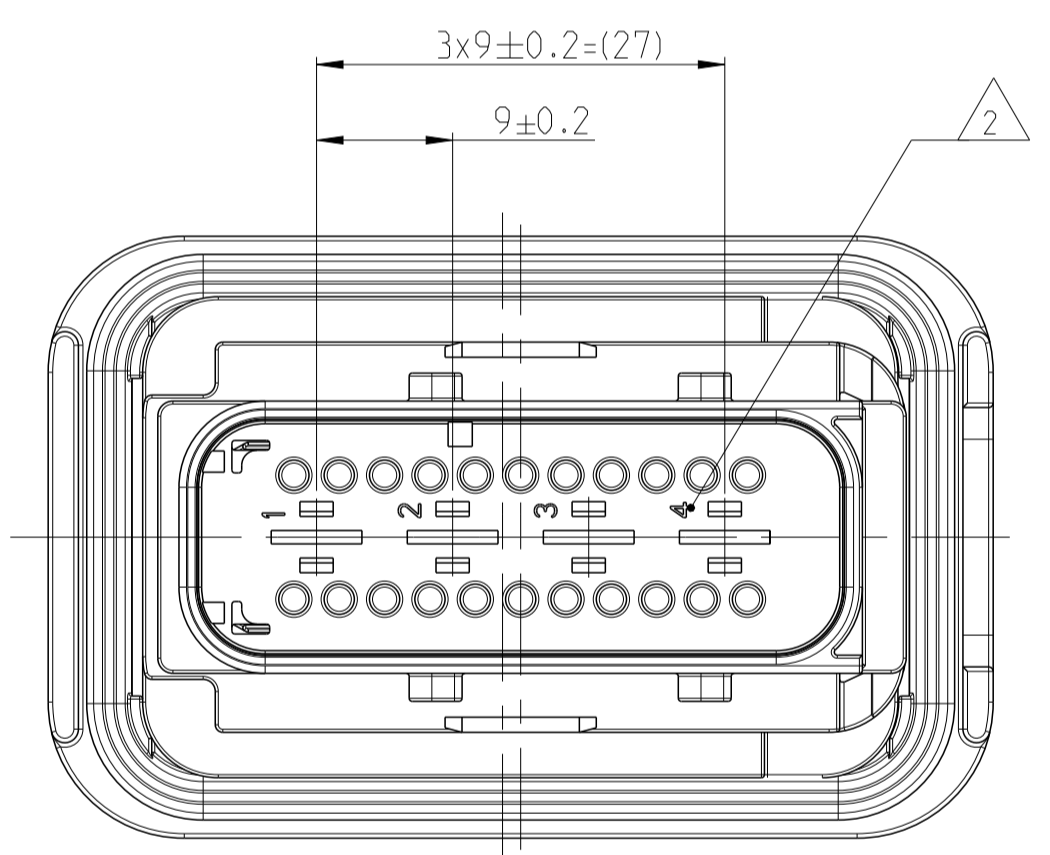
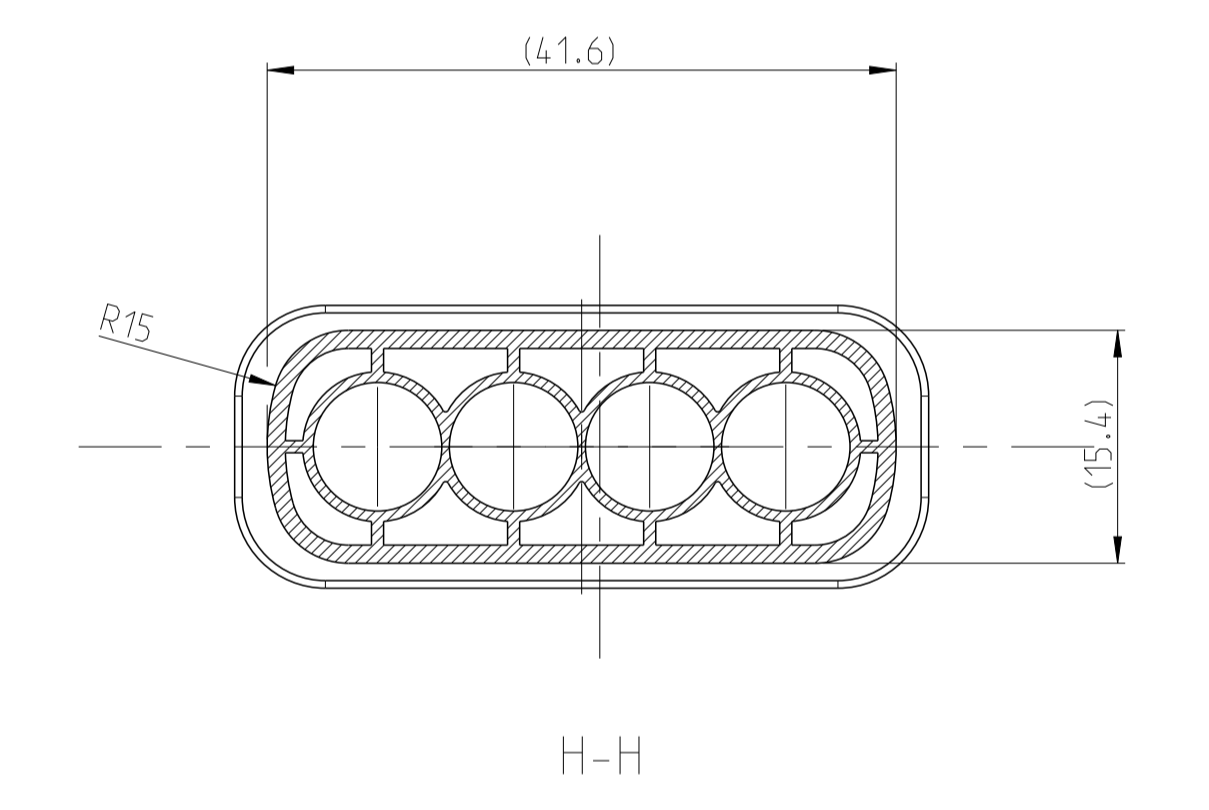
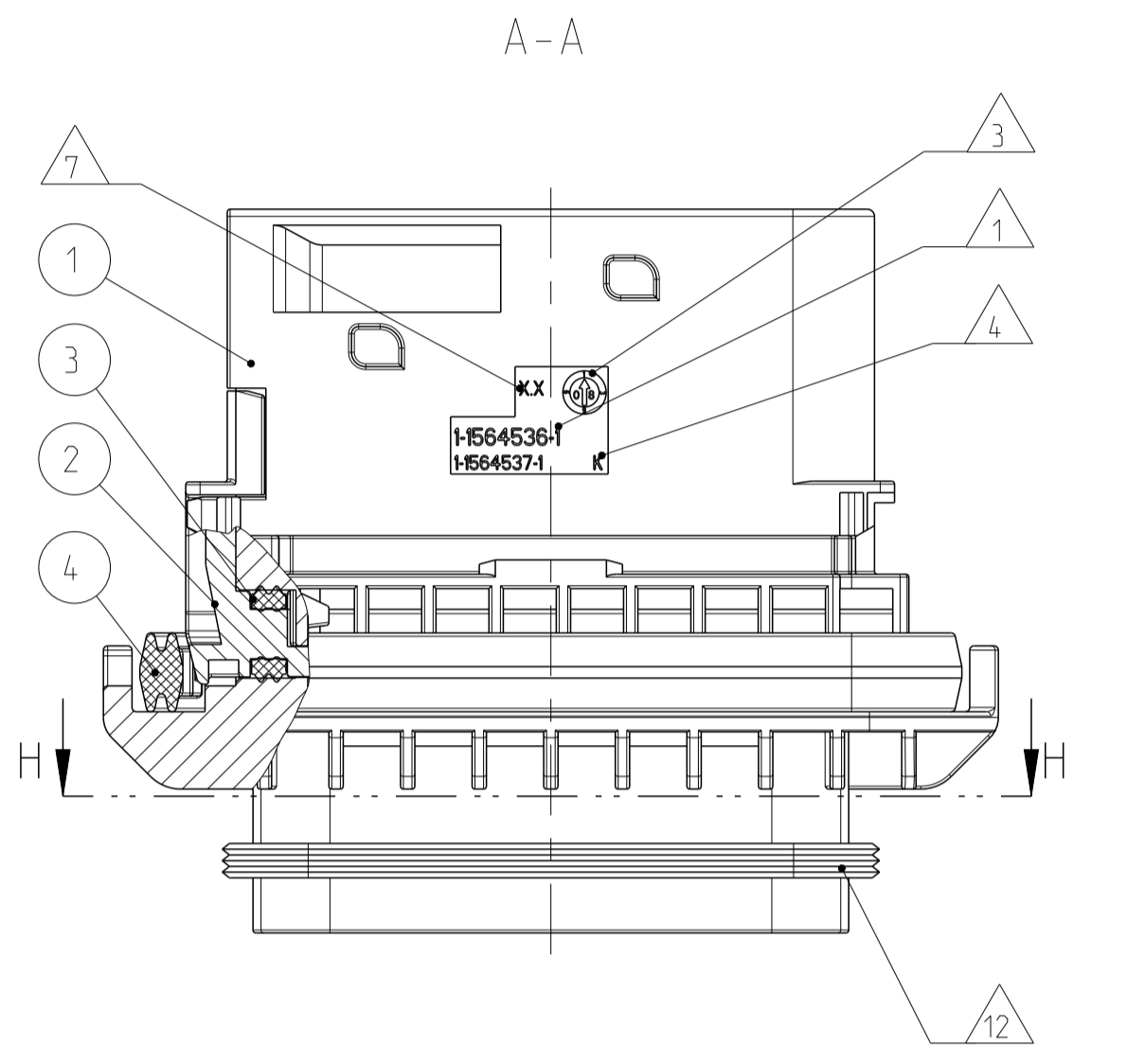
FIXING WITH SLIDE Befestigung mit Schieber	
W ALL THICKNESS "X" Wandstärke "X"	TE ORDER NO. TE Best.-Nr.
1.0mm	N.N.
1.5mm	0-1564411-5
1.6mm	0-1564411-8
2.0mm	0-1564411-7
2.5mm	0-1564411-2
3.0mm	0-1564411-1
3.5mm	0-1564411-6
4.0mm	N.N.



1-1564536-1 AS SHOWN  
1-1564536-1 wie gezeigt



DELIVERY CONDITION:  
SECONDARY LOCKING DEVICE  
IN PRE-LOCKED POSITION  
Lieferzustand:  
2. Kontaktsicherung in Vorrastellung



- NOTES  
Bemerkungen
- TE ORDER-Nr.
  - CAVITY NUMBERING
  - PRODUCTION DATE
  - LETTER-INSERT FOR THE REVISION STATUS OF THE MOULD
  - MATERIAL MARKING ACCORDING TO VDA 260
  - BULK PACKAGING IN CORRUGATED BOX
  - MOULD CAVITY MARKING
  - TE LOGO
  - SUITABLE COUNTERPART SEE DRAWING: 1564330
  - CAVITIES MATED WITH TAB 5.8 x 0.8 MM (SW)
  - INTERFACE ACC. TO DRAWING: 114-18799-1
  - MATED WITH COVER SEE DRAWING: 1670865, 1670866
  - SLIDING DISTANCE OF SECONDARY LOCKING
  - MALFUNCTION CAUSED BY LAQUER IS NOT COVERED BY TE WARRANTY

SEALING SURFACE CUTOFF  
Dichtflaeche Blechausschnitt

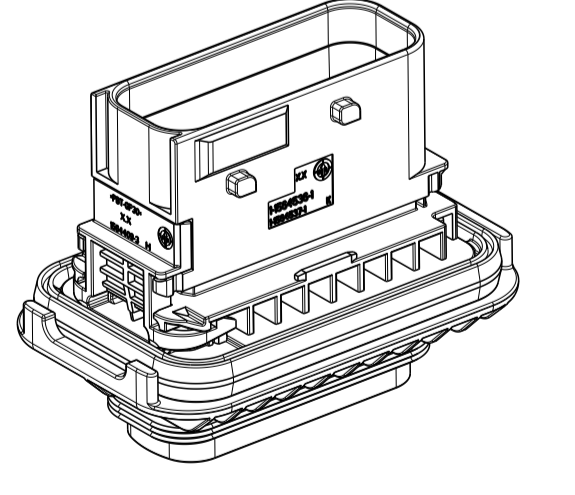
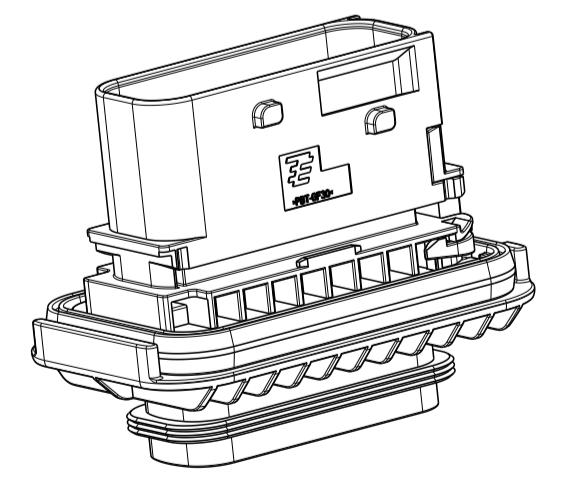
SURFACE ROUGHNESS Ra MAX. 1.8µm OR LESS FOR METAL PARTS.  
Werkzeugoberflaeche Ra Max. 1.8µm oder weniger fuer Metallteile

SURFACE ROUGHNESS MIN. VDI 3400 - CLASS 24 FOR PLASTIC PARTS.  
Werkzeugoberflaeche Min. VDI 3400 - Class 24 fuer Kunststoffteile.

THE FLATNESS MUST BE WITHIN THE TOLERANCE OF THE SHEET.  
THEREFORE WITHIN ±0.1MM.  
Die Ebenheit muss innerhalb der Toleranz des Blechs liegen bei (±0.1mm)

NO SINK MARKS, EJECTOR, DRAFT, DENTS, SCRATCHES.  
PARAGRAPH ON THE SEALING AREA ALLOWED.  
Keine Einfallstellen, Auswerfer, Ausformschraegen, Delle, Kratzer, Absaeetze zulaessig.

ITEM NO	DESCRIPTION	MATERIAL	COLOUR
1	BLACK	PBT-GF30 / V-0	schwarz
1	GREEN	PBT-GF30 / V-0	gruen
1	YELLOW	PBT-GF30 / V-0	gelb
2	WHITE	PBT-GF30 / V-0	weiss
3	GREEN	MVO	gruen
4	AXIAL SEAL 57X37	MVO	gruen



TE ORDER-NO.	REV.	NO. OF POS.	CODE	QUANTITY	ITEM NO
TE Bestell-Nr.		Polzahl	Kodierung	Stueck	ASSY
4-1564536-1	J	4	A	1	1
3-1564536-1	J	4	B	1	1
2-1564536-1	J	4	B	1	1
1-1564536-1	J	4	A	1	1

DIMENSIONS: MASSENHEITEN		TOLERANCES UNLESS OTHERWISE SPECIFIED: ALLEGEMEINTOLERANZEN	
UNIT	MM	ISO 8015	FINISH/FLAECHE/FARBE
PLC	±0.1	±0.1	±0.1
PCC	±0.1	±0.1	±0.1
PLC	±0.1	±0.1	±0.1
PCC	±0.1	±0.1	±0.1

TE ORDER-NO.	REV.	NO. OF POS.	CODE	QUANTITY	ITEM NO
TE Bestell-Nr.		Polzahl	Kodierung	Stueck	ASSY
4-1564536-1	J	4	A	1	1
3-1564536-1	J	4	B	1	1
2-1564536-1	J	4	B	1	1
1-1564536-1	J	4	A	1	1

TE ORDER-NO.	REV.	NO. OF POS.	CODE	QUANTITY	ITEM NO
TE Bestell-Nr.		Polzahl	Kodierung	Stueck	ASSY
4-1564536-1	J	4	A	1	1
3-1564536-1	J	4	B	1	1
2-1564536-1	J	4	B	1	1
1-1564536-1	J	4	A	1	1

单击下面可查看定价，库存，交付和生命周期等信息

[>>TE Connectivity\(泰科\)](#)