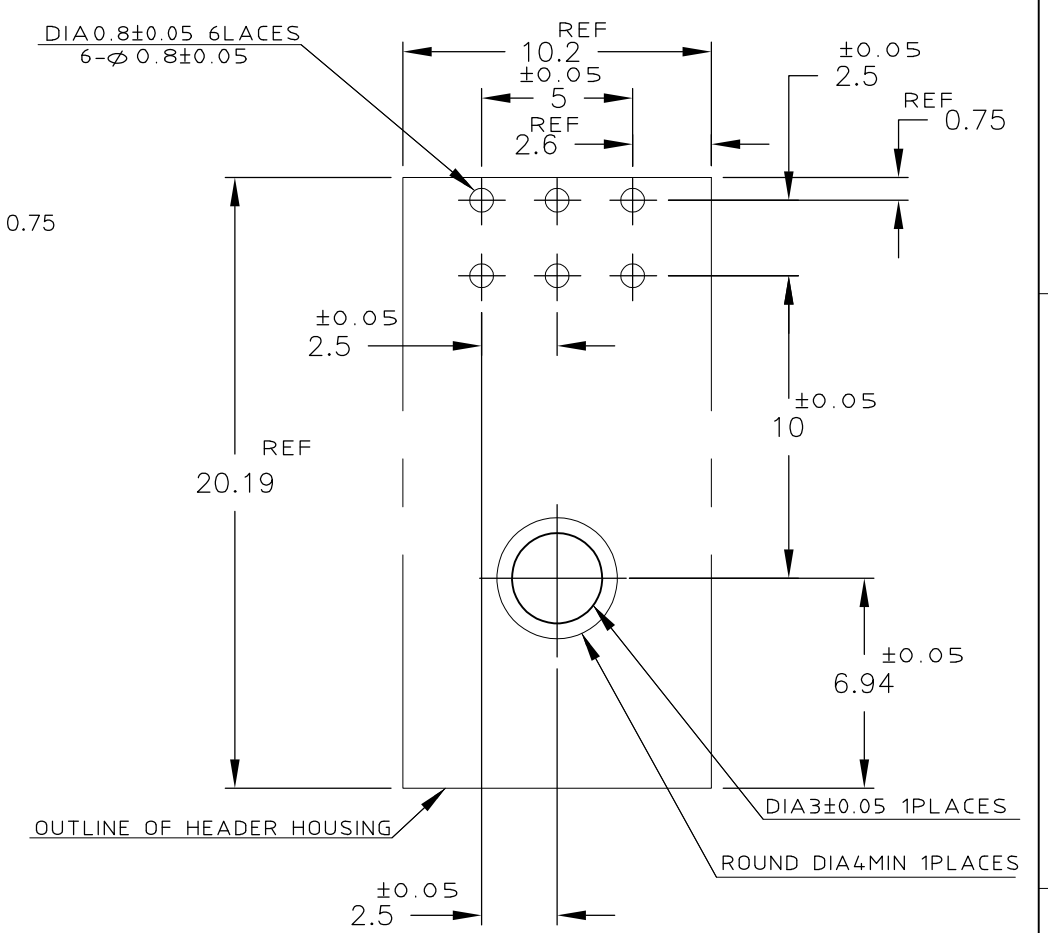
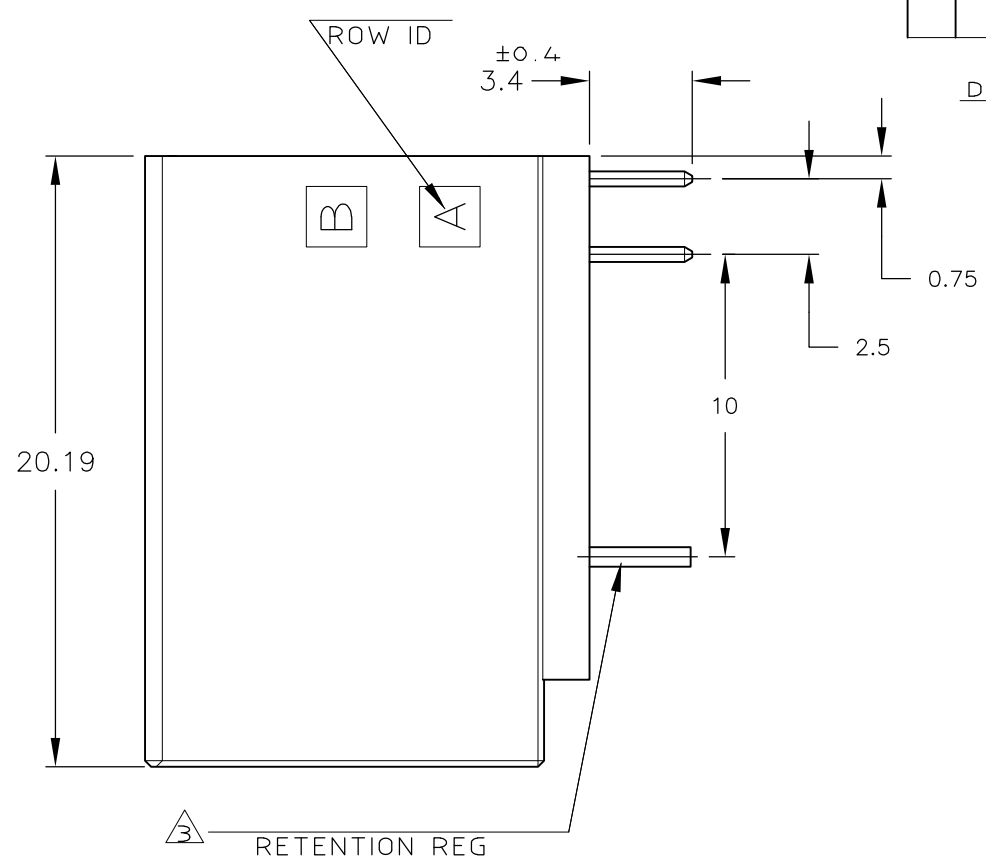
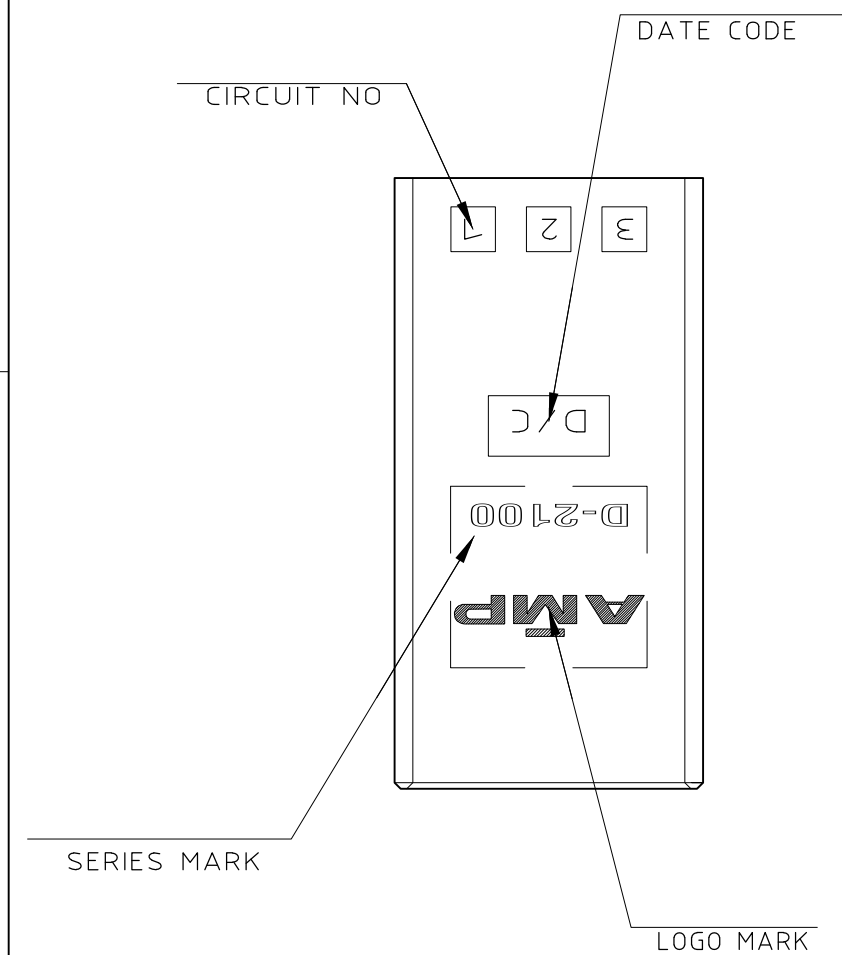
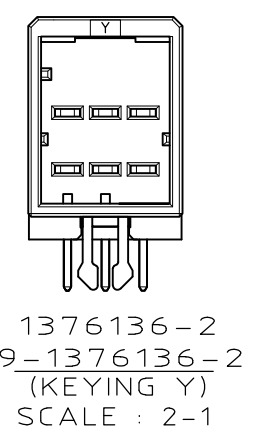
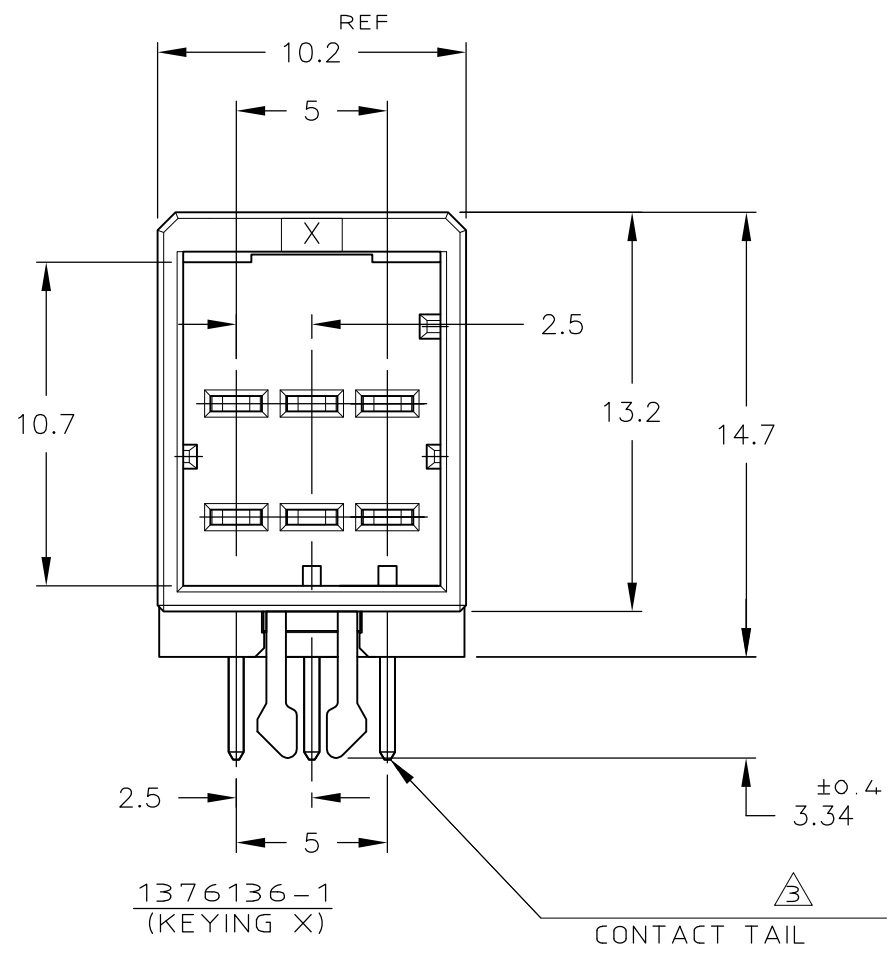


THIS DRAWING IS UNPUBLISHED. RELEASED FOR PUBLICATION
 © COPYRIGHT 2011 APR By - Tyco Electronics Japan G.K. ALL RIGHTS RESERVED.

LOC	DIST	REVISIONS			
P	LTR	DESCRIPTION	DATE	DWN	APVD
J	/	C	REVISED	25APR11	MM NY



RECOMENDED PC BOARD HOLE PATTERN(TOL:±0.05)
 PC BOARD THICKNESS:1.6±0.3
 (CONNECTOR MOUNT SIDE)



NOTES
 1. MATERIAL:HOUSING:GLASS FILED THERMO PLASTIC ,POLYESTER(94V-0),
 COLOR : 1376136-1/-2 : BLACK
 9-1376136-2 : NATURAL
 TAB CONTACT:COPPER ALLOY
 RETENTION LEG:BRASS
 △2 FINISH(CONTACT AREA):0.38μmMIN GOLD PLATING
 OVER Ni PLATING
 △3 FINISH(RETENTION LEG): TIN PLATED
 (CONTACT TAIL) OVER NICKEL

KEY	COLOR	PART NO
Y	NATURAL	9-1376136-2
Y	BLACK	1376136-2
X	BLACK	1376136-1

THIS DRAWING IS A CONTROLLED DOCUMENT.		DWN K.IKEDA 24FEB00	TE Connectivity DOUBLE ROW HEADER ASS'Y 6P ("H" TYPE) <DYNAMIC D-2100D>		
DIMENSIONS: mm		CHK Y.KATO 24FEB00			
TOLERANCES UNLESS OTHERWISE SPECIFIED:		APVD I.HASEGAWA 24FEB00	NAME		
0 PLC ± -		PRODUCT SPEC 108-5619	114-5258		
1 PLC ± 0.3		APPLICATION SPEC	RESTRICTED TO		
2 PLC ± 0.35		WEIGHT	SIZE	CAGE CODE	DRAWING NO
3 PLC ± 0.4		SEE NOTES	A3	00779	C-1376136
4 PLC ± -		SEE NOTES	SCALE 1:1 SHEET 1 OF 1 REV C		
ANGLES ± 3'		CUSTOMER DRAWING			

单击下面可查看定价，库存，交付和生命周期等信息

[>>TE Connectivity\(泰科\)](#)

[>>点击查看相关商品](#)