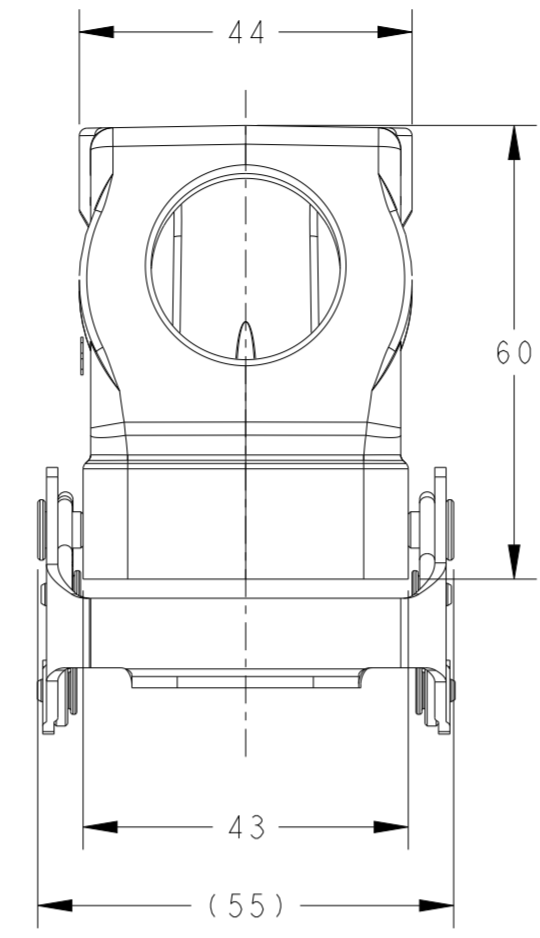
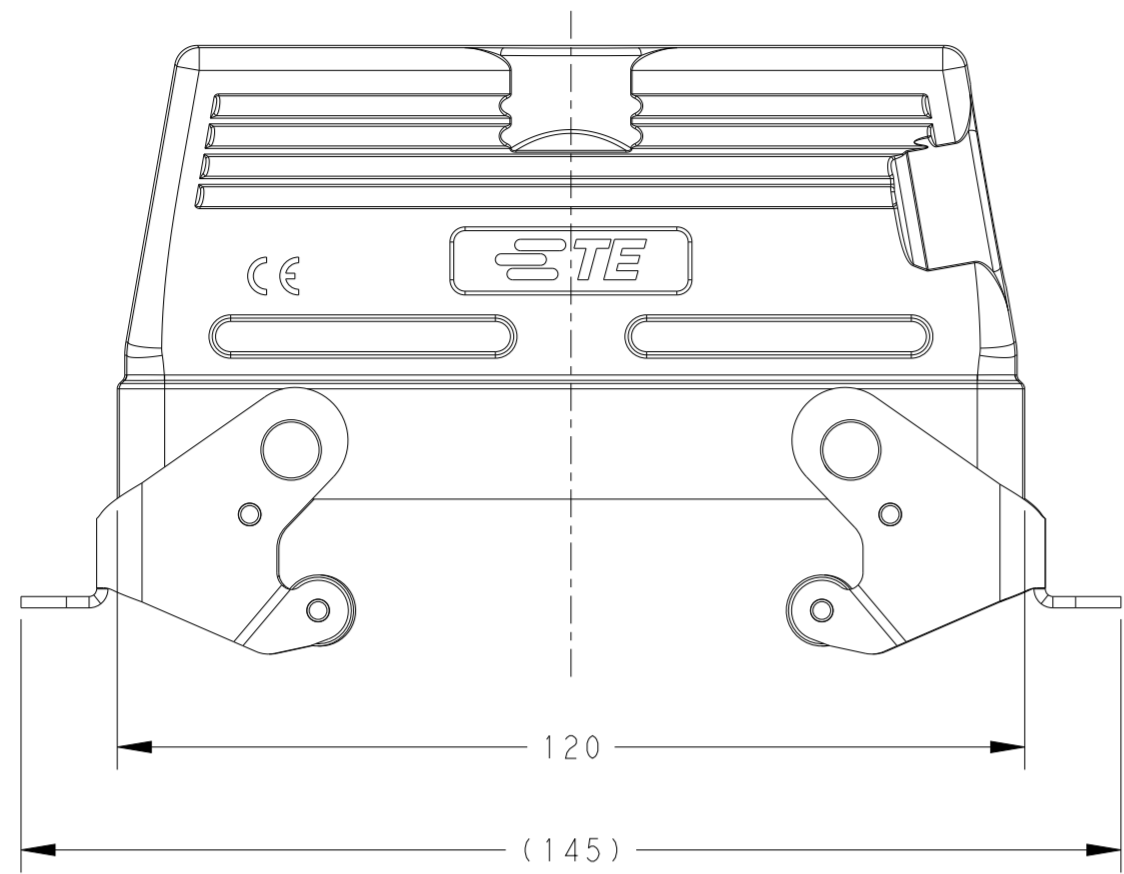


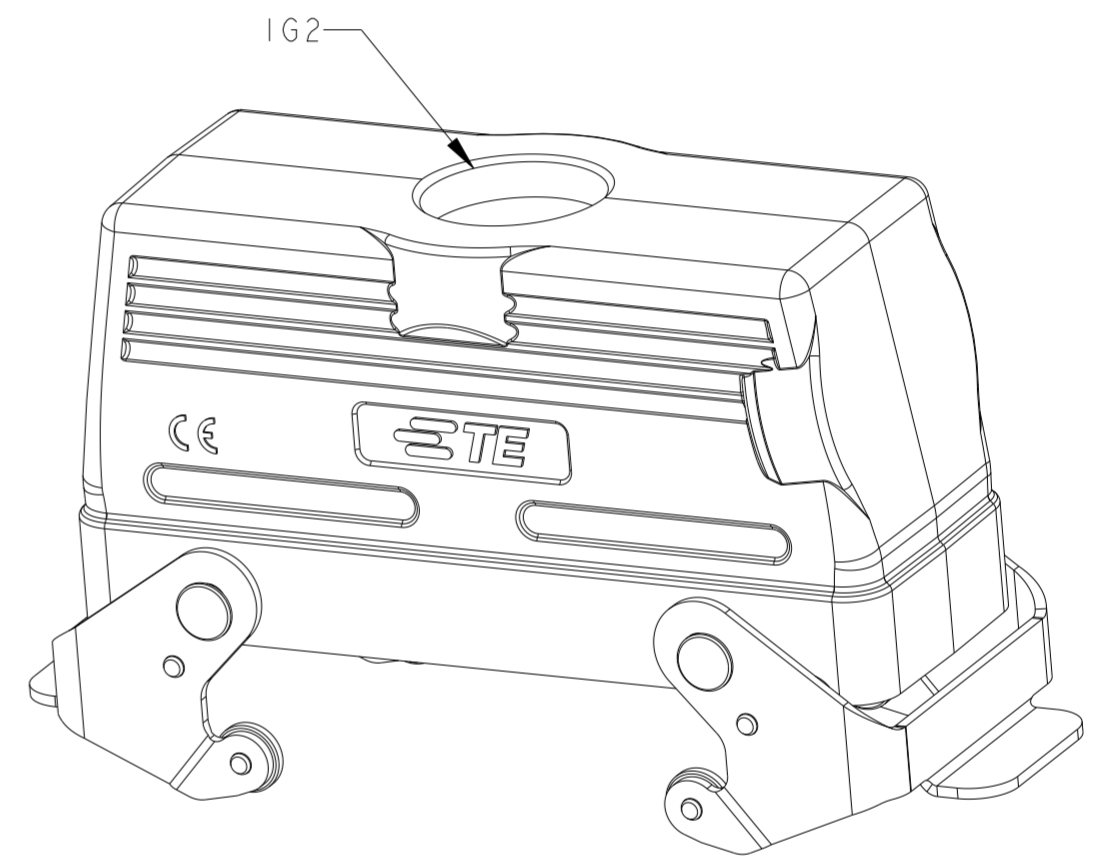
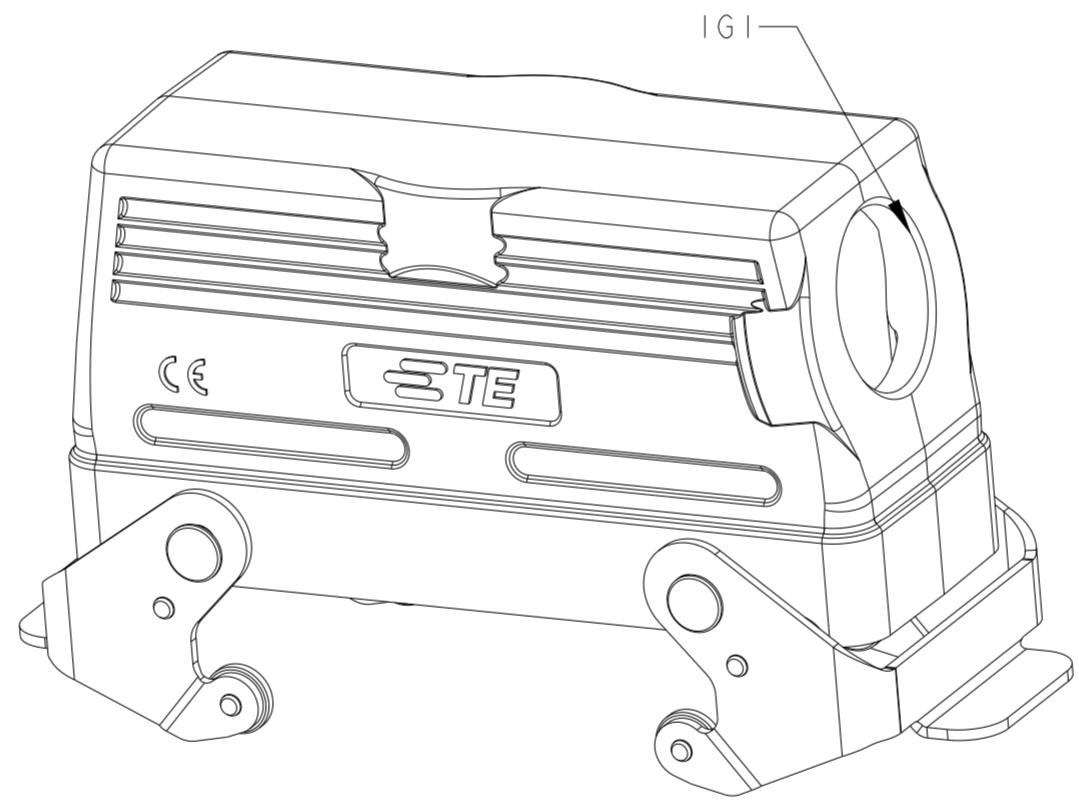
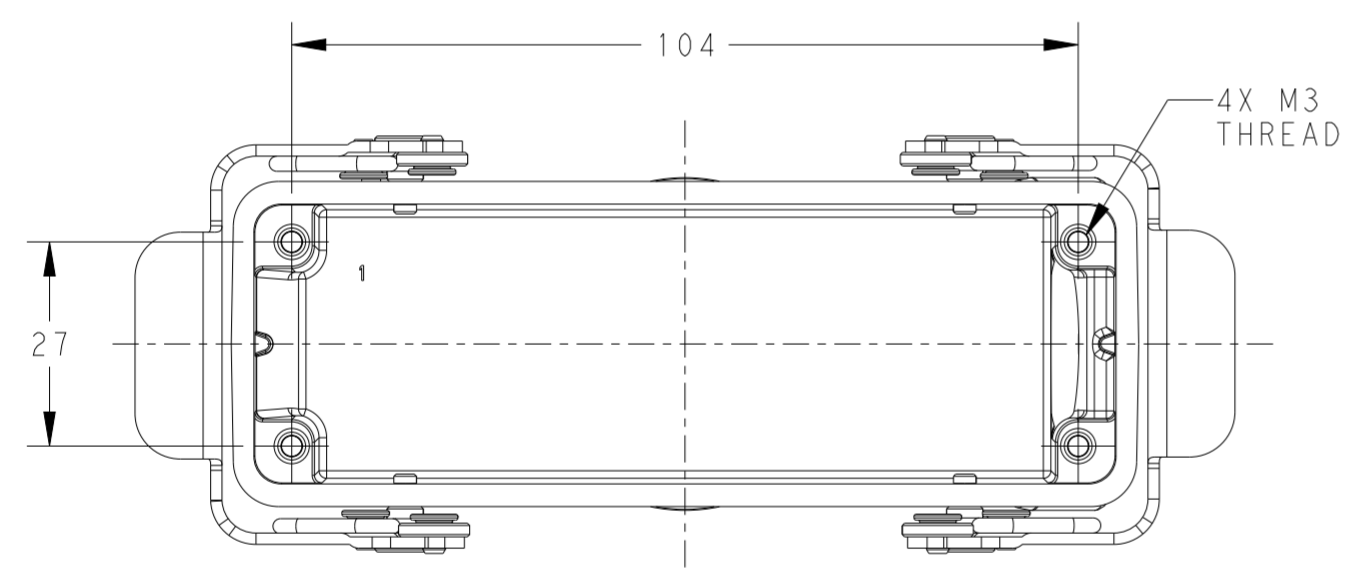
THIS DRAWING IS UNPUBLISHED. RELEASED FOR PUBLICATION 20  
 © COPYRIGHT 20 BY - ALL RIGHTS RESERVED.

REVISIONS				
P	LTR	DESCRIPTION	DATE	APVD
A		INITIAL	06JUN2015	DW CW
B		ECR-20-014876	06NOV2020	WOR CW



NOTES:  
 1. TECHNICAL CHARACTERISTICS:  
 HOOD MATERIAL: DIE CAST ALUMINIUM ALLOY  
 SURFACE: POWDER COATED, GREY  
 DEGREE OF PROTECTION: IP65 (MATED)

注释:  
 1. 技术参数:  
 上壳材料: 铝合金  
 表面处理: 粉末涂层, 灰色  
 防护等级: IP65(配合)



TYPE 1: LOW CONSTRUCTION, SIDE ENTRY WITH STAINLESS STEEL LOCKING

TYPE 2: LOW CONSTRUCTION, TOP ENTRY WITH STAINLESS STEEL LOCKING OTHER SPEC REFER TO TYPE 1

PART NUMBER	TYPE	DESCRIPTION	IG1	IG2
T1250243121-000	TYPE 1	H24B-TSBS-PG21	PG21	-
T1250243125-000		H24B-TSBS-M25	M25	-
T1250243132-000		H24B-TSBS-M32	M32	-
T1260243121-000	TYPE 2	H24B-TGBS-PG21	-	PG21
T1260243125-000		H24B-TGBS-M25	-	M25
T1260243129-000		H24B-TGBS-PG29	-	PG29
T1260243132-000		H24B-TGBS-M32	-	M32

THIS DRAWING IS A CONTROLLED DOCUMENT.

DWN David Wang 06JUN2015	TE Connectivity	NAME H24B-TSBS/TGBS-M/PG	SIZE A2	CAGE CODE 00779	DRAWING NO C-T12X02431XXX00	RESTRICTED TO -																
CHK Chris Wang 06JUN2015																						
APVD Xiang Xu 06JUN2015																						
PRODUCT SPEC 108-137013																						
MATERIAL -	<table border="1"> <tr> <th>DIMENSIONS:</th> <th>TOLERANCES UNLESS OTHERWISE SPECIFIED:</th> </tr> <tr> <td>mm</td> <td>0 PLC ±</td> </tr> <tr> <td></td> <td>1 PLC ±</td> </tr> <tr> <td></td> <td>2 PLC ±</td> </tr> <tr> <td></td> <td>3 PLC ±</td> </tr> <tr> <td></td> <td>4 PLC ±</td> </tr> <tr> <td></td> <td>ANGLES ±</td> </tr> <tr> <td></td> <td>FINISH -</td> </tr> </table>	DIMENSIONS:	TOLERANCES UNLESS OTHERWISE SPECIFIED:	mm	0 PLC ±		1 PLC ±		2 PLC ±		3 PLC ±		4 PLC ±		ANGLES ±		FINISH -	APPLICATION SPEC 114-137013	WEIGHT -	SCALE 1:1	SHEET 1 OF 1	REV B
DIMENSIONS:	TOLERANCES UNLESS OTHERWISE SPECIFIED:																					
mm	0 PLC ±																					
	1 PLC ±																					
	2 PLC ±																					
	3 PLC ±																					
	4 PLC ±																					
	ANGLES ±																					
	FINISH -																					

Customer Drawing

单击下面可查看定价，库存，交付和生命周期等信息

[>>TE Connectivity\(泰科\)](#)