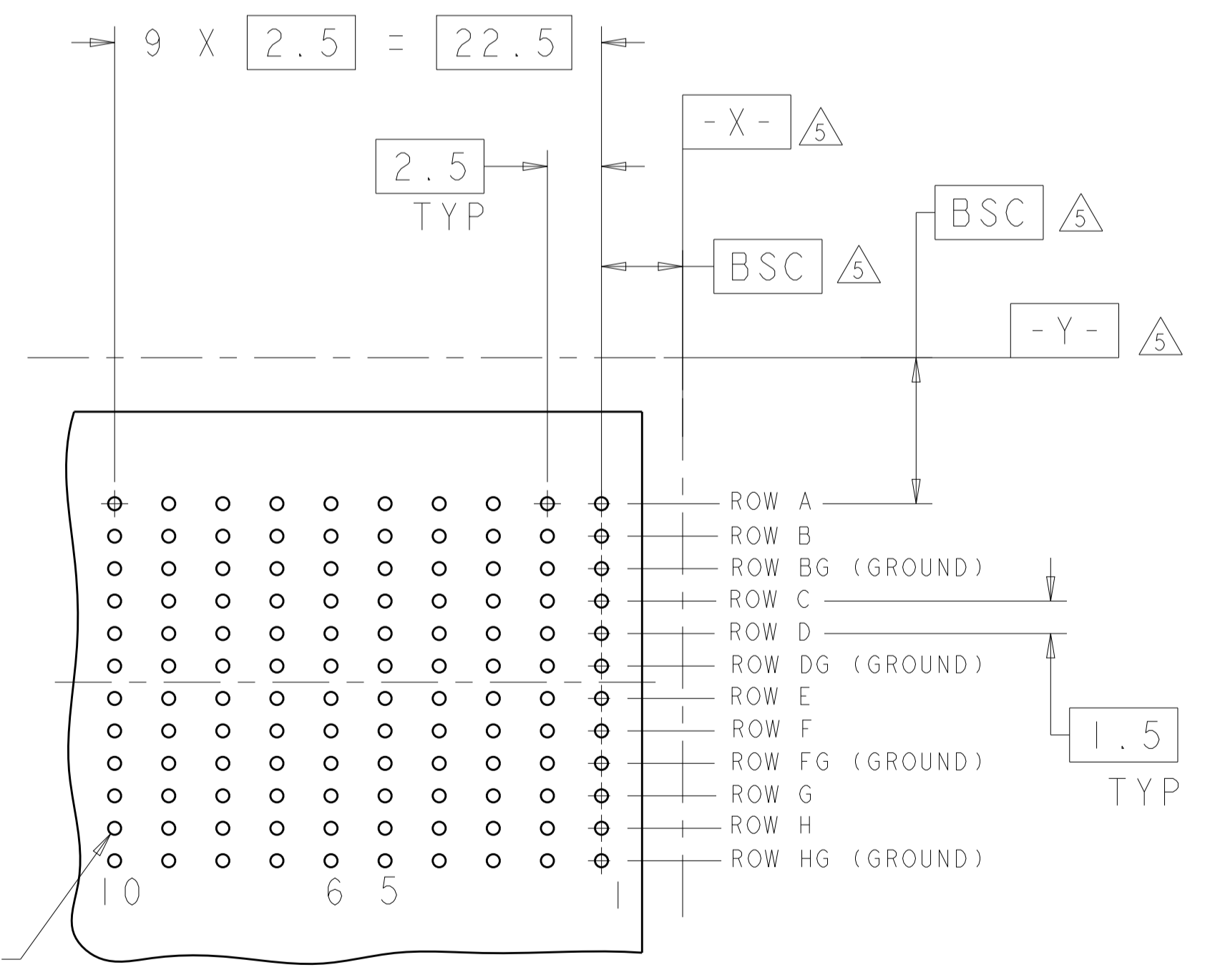
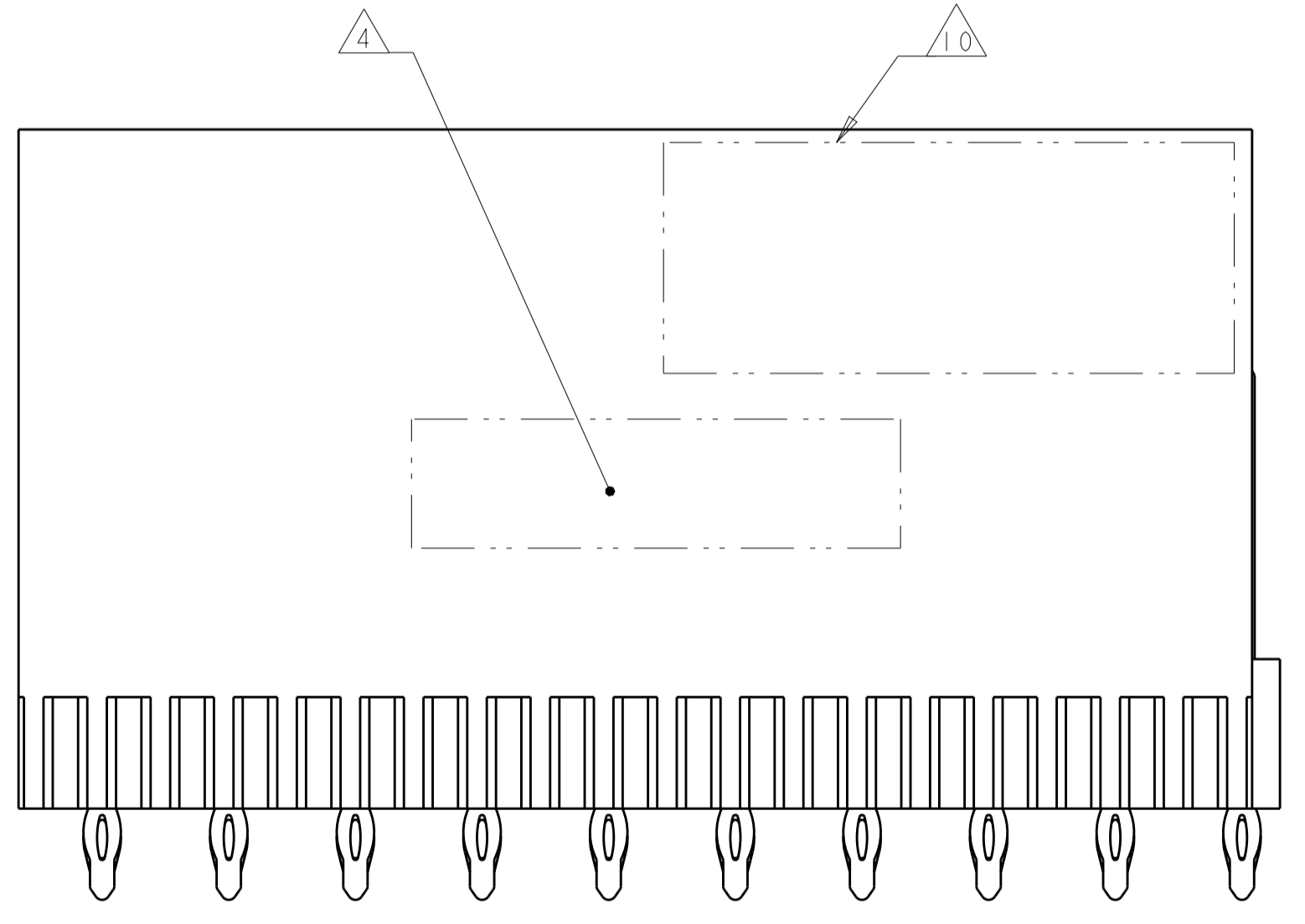
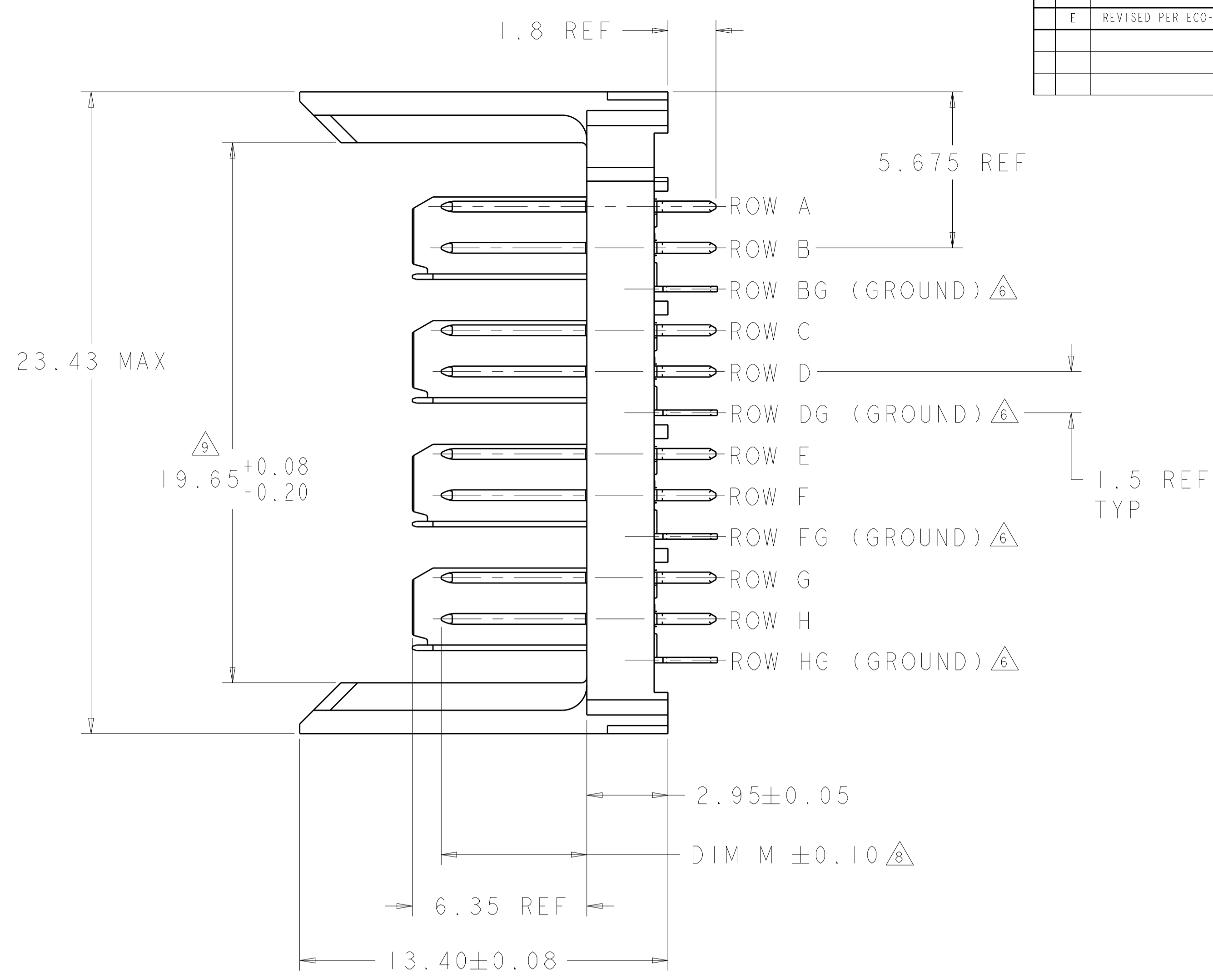
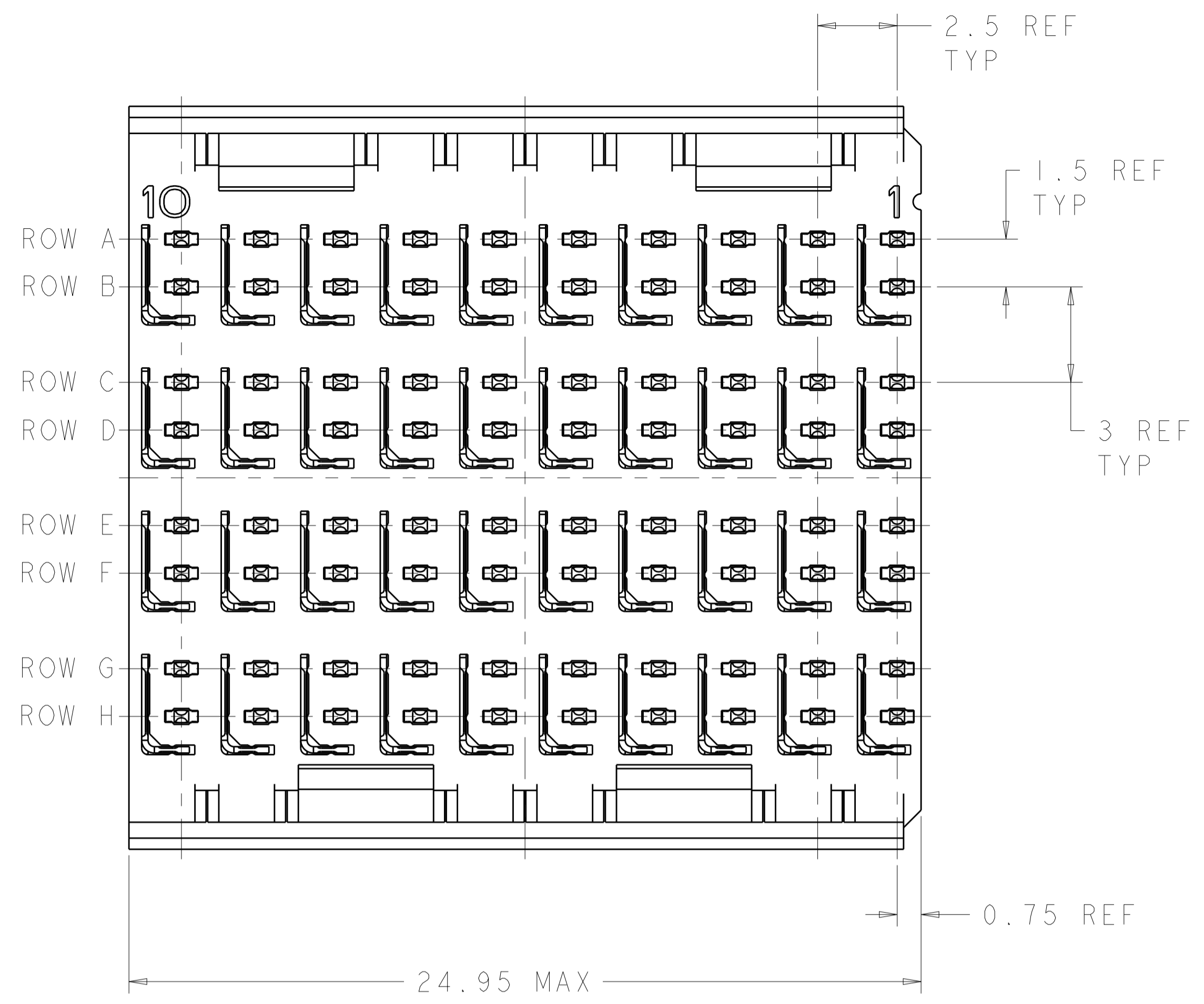


REVISIONS				
P.	LTN.	DESCRIPTION	DATE	APVD.
E		REVISED PER ECO-18-018129	09OCT2019	AP DS



⊕ ∅0.05 Ⓢ X Y
ALL PLATED THRU HOLES

RECOMMENDED PC BOARD LAYOUT, BACKPLANE, COMPONENT SIDE SHOWN SCALE 4:1

- △ REFERENCE APPLICATION SPEC 114-13059 FOR RECOMMENDED PLATED THRU HOLE DIAMETER AND PLATING THICKNESSES.
- △ MATERIAL:
CONTACT AND SHIELD - PHOSPHOR BRONZE
HOUSING - GLASS FILLED POLYESTER, UL 94V-0.
- △ FINISH: SIGNAL AND GROUND CONTACTS:
MATING AREA: MEETS THE PERFORMANCE REQUIREMENTS OF PRODUCT SPECIFICATION 108-2055; BASED ON TELCORDIA GR-1217-CORE, APPLICATIONS IN UNCONTROLLED ENVIRONMENTS
COMPLIANT PIN AREA: 0.5 μm MIN MATTE TIN OVER BASE PLATING
- △ CONNECTOR MARKED WITH PART NUMBER AND DATE CODE.
- △ DATUMS AND BASIC DIMENSIONS ESTABLISHED BY CUSTOMER.
- △ THE FOUR GROUNDS IN EACH COLUMN ARE COMMONED.
- 7. CONTACT AREA LUBRICATED WITH BELLCORE APPROVED LUBRICANT. TECHNICAL REFERENCE: GR-1217-CORE, ISSUE 1, NOVEMBER 1995.
- △ REFER TO "CONTACT LAYOUT" CHART FOR SEQUENCING.
- △ DIMENSION APPLIES TO FIRST AND LAST CIRCUITS.
- △ TE OR TE CONNECTIVITY LOGO IS LOCATED.

CONTACT LAYOUT

A = 3.80mm (DIM M)
B = 5.30mm (DIM M)
G = GROUND

		COLUMNS									
		10	9	8	7	6	5	4	3	2	1
ROWS	A	B	B	B	B	B	B	B	B	B	A
	B	B	B	B	B	B	B	B	B	B	B
	BG	G	G	G	G	G	G	G	G	G	G
	C	B	B	B	B	B	B	B	B	B	B
	D	B	B	B	B	B	B	B	B	B	B
	DG	G	G	G	G	G	G	G	G	G	G
	E	B	B	B	B	B	B	B	B	B	B
	F	B	B	B	B	B	B	B	B	B	B
	FG	G	G	G	G	G	G	G	G	G	G
G	B	B	B	B	B	B	B	B	B	B	
H	B	B	B	B	B	B	B	B	B	B	
HG	G	G	G	G	G	G	G	G	G	G	

1645547-1
PART NUMBER

THIS DRAWING IS A CONTROLLED DOCUMENT.		OWN: D. HUMBERT 08JAN2010	TE Connectivity
DIMENSIONS: mm		CHK: D. HUMBERT 08JAN2010	
TOLERANCES UNLESS OTHERWISE SPECIFIED:		APVD: D. HUMBERT 08JAN2010	NAME: HEADER ASSEMBLY, 4 PAIR, SELECTIVELY LOADED, 1.8mm TAIL, 25mm HMzd SIZE: CAGE CODE DRAWING NO: A100779C=1645547 WEIGHT: - CUSTOMER DRAWING
0 PLC ± 2 PLC ± 3 PLC ± 4 PLC ± ANGLES ±		PRODUCT SPEC: -	
MATERIAL: △2		FINISH: △3	RESTRICTED TO: -
SCALE: 8:1		SHEET: 1 OF 1	REV: E

单击下面可查看定价，库存，交付和生命周期等信息

[>>TE Connectivity\(泰科\)](#)