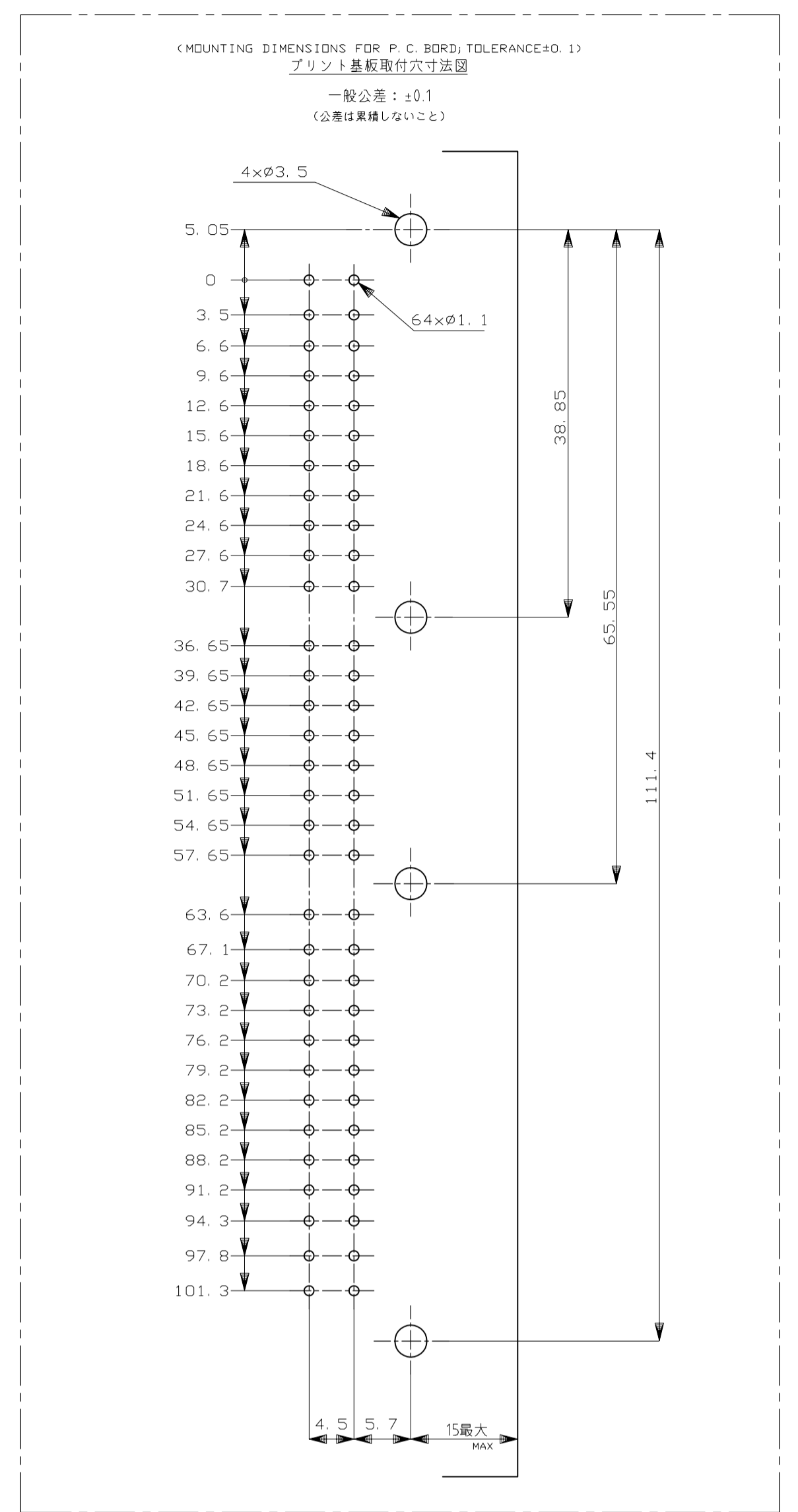
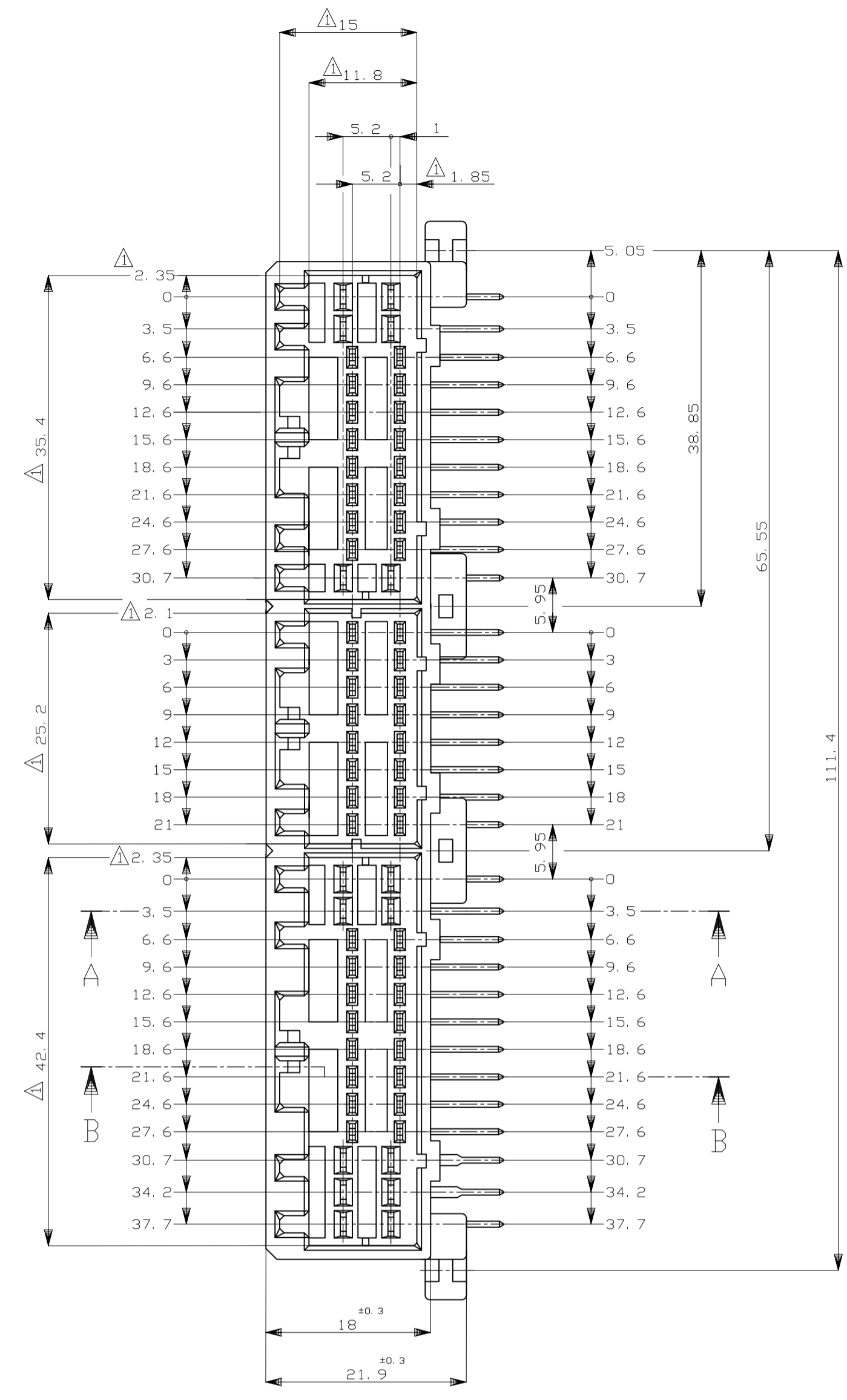
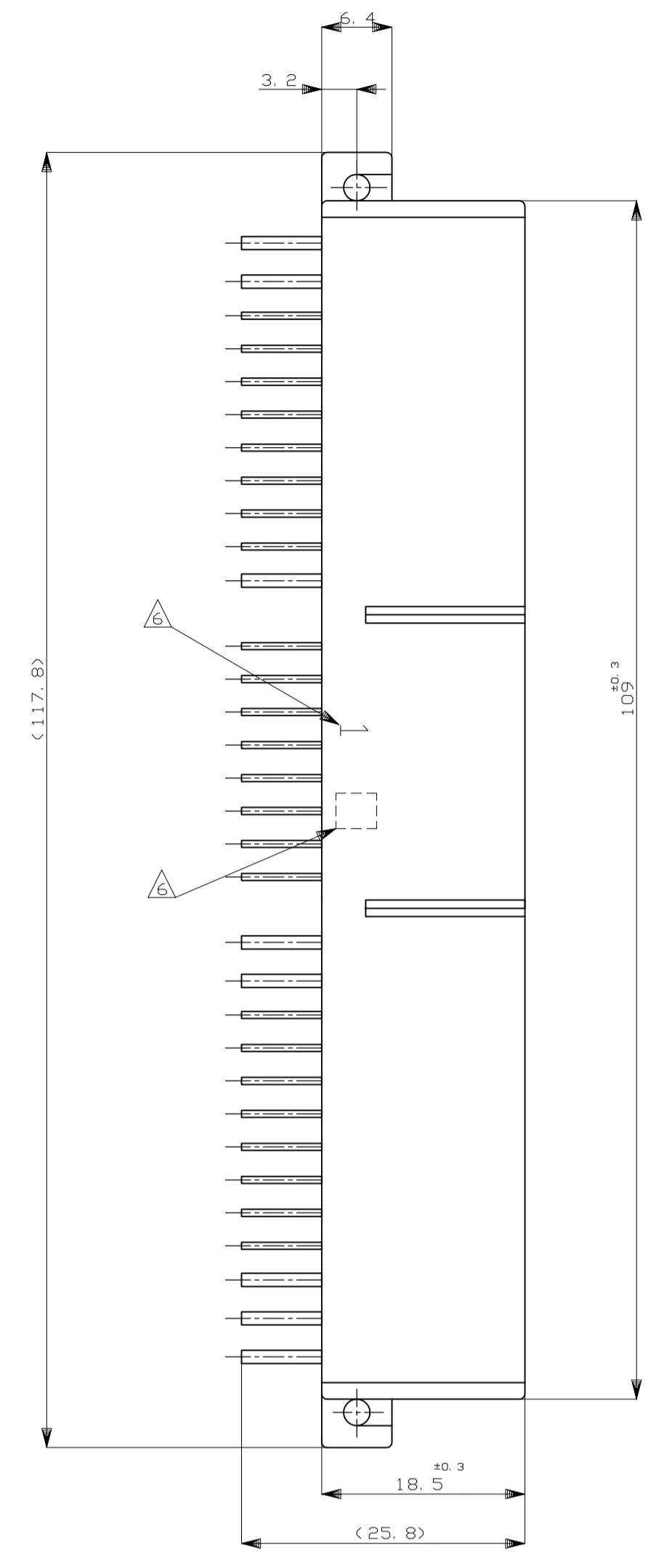
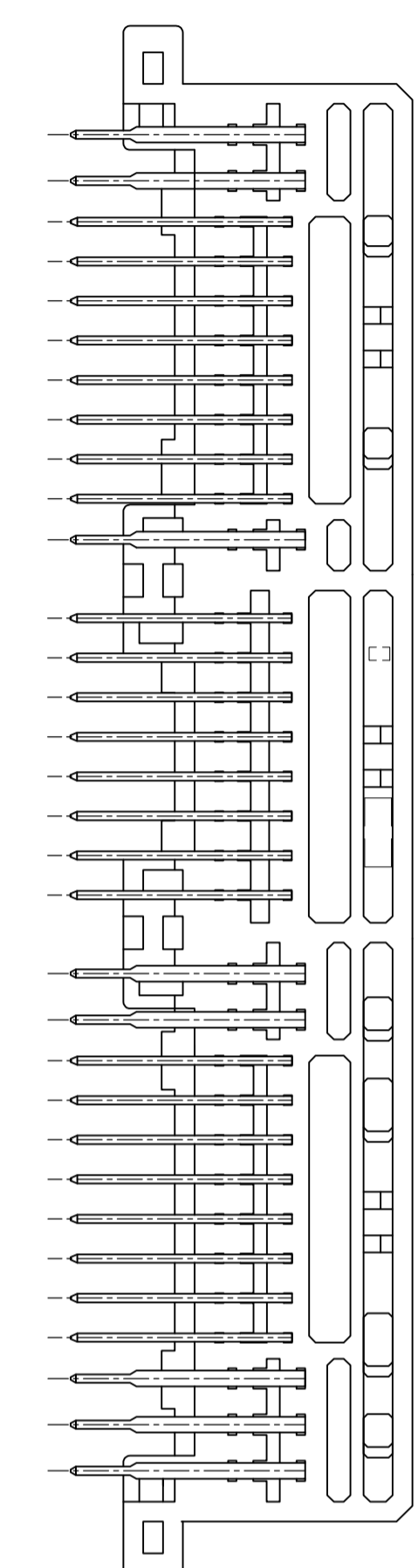
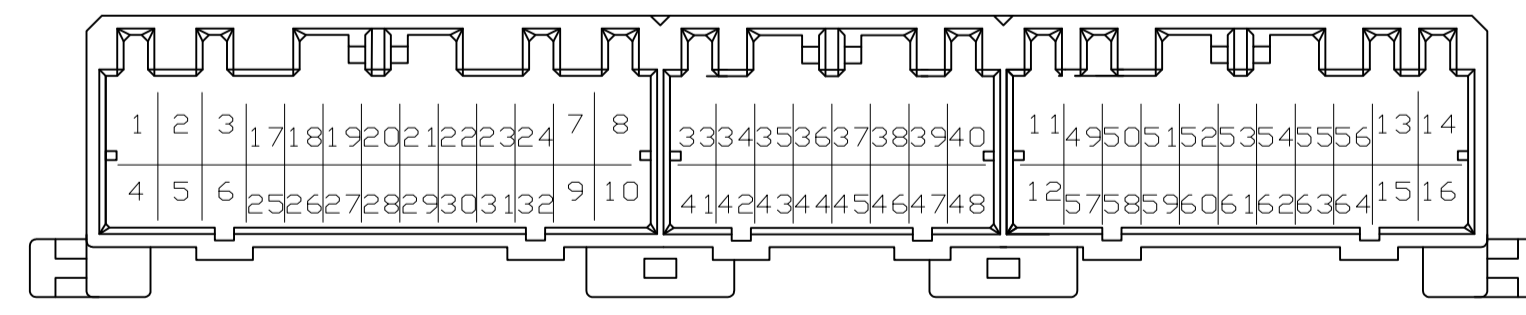


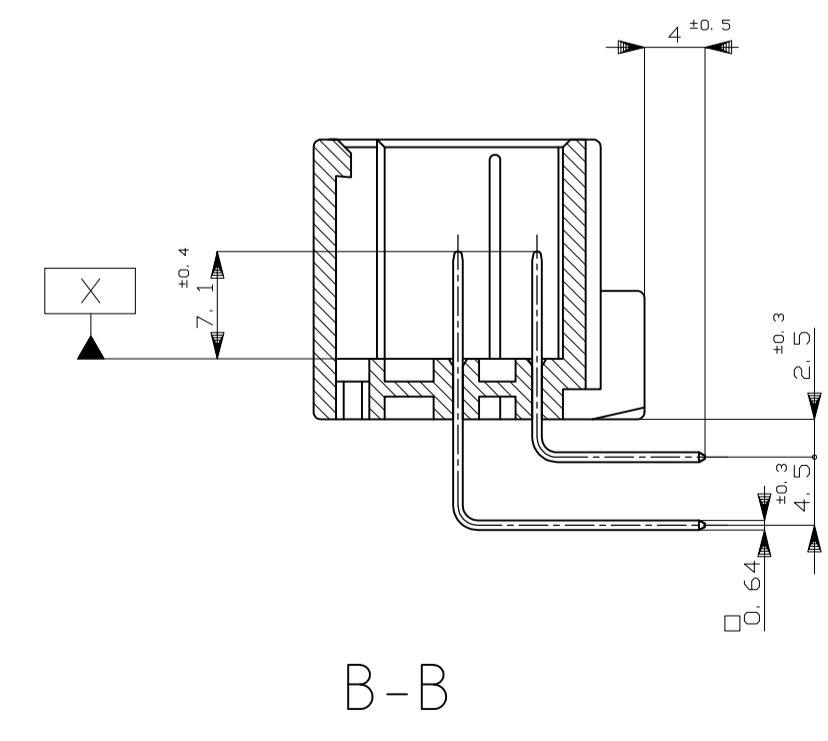
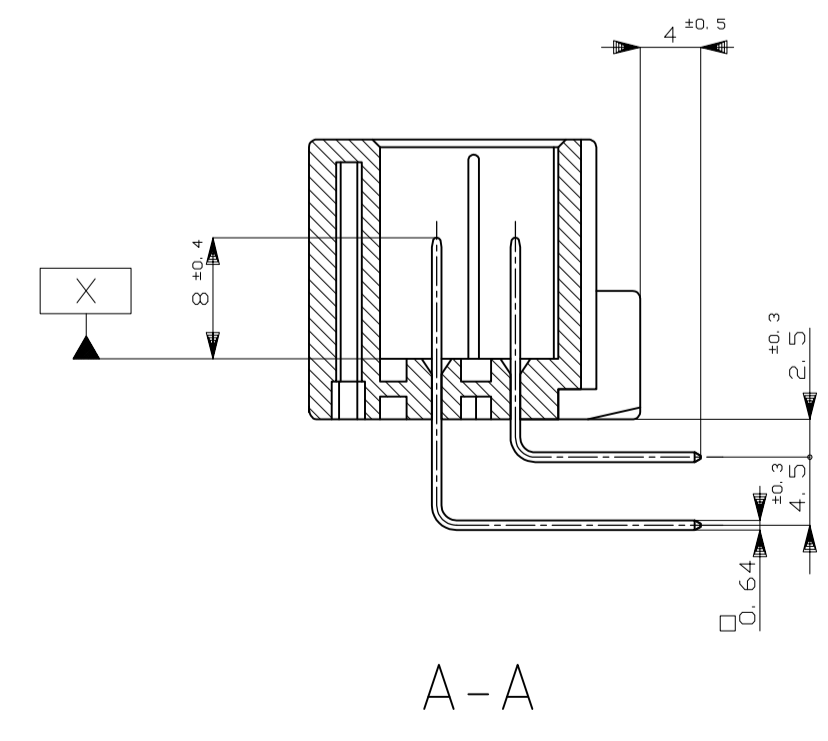
REVISIONS					
REV	DATE	DESCRIPTION	BY	CHK	APPV
H6	17AUG16	ECR-16-003196		KF	HY



- △ [X] 面から2mmの範囲で測定
- 2. 嵌合相手ハウジング型 174516, 174515, 174514, 917992, 917989, 917981
- 3. 推奨取付ねじ: JIS B1115, B1112 タップねじ, なべ2種  
呼び径3, 長さ6mm以下 (締付けトルク: 0.4N-m (4kg-cm) 以下)
- 4. 適用製品規格番号: 108-5280, 108-5342
- △ 回路番号:  
 パワー回路 ①~⑩  
 シグナル回路 ⑪~⑮



- △ 適用製品型番のプリフィックス及びIDマークを  
カバーホットマークにて表示
- 1. MUST BE KEPT BETWEEN [X] AND 2
- 2. THE MATING PLUG HSG.PART NUMBER:174516, 174515, 174514, 917992, 917989, 917981
- 3. RECOMMENDED MOUNTING SCREW:3mmDIA,6mmLENGTH(MAX)  
PAN HEAD,CLASS 2 TAPPING SCREW SPECIFIED IN JIS B1115,B1122  
(TIGHTENING TORQUE:0.4N-m(4kg-cm) MAX.)
- 4. APPLICABLE PRODUCT SPEC NO.: 108-5280, 108-5342
- △ CIRCUIT NUMBER  
POWER CIRCUIT NO. ①~⑩  
SIGNAL CIRCUIT NO. ⑪~⑮
- △ INDICATED PREFIX AND ID MARK OF PRODUCT P/N BY COLOR HOT MARK



REV	DESCRIPTION	DATE	BY	CHK	APPV
59	SELECTIVE-TIN (MATT) PRE-TIN x 56				
51	SELECTIVE-TIN (MATT) PRE-TIN x 56				
52	SELECTIVE-TIN (MATT) PRE-TIN x 56				
59	SELECTIVE-TIN (MATT) PRE-TIN x 56				
56	SELECTIVE-TIN (MATT) PRE-TIN x 56				
9	TIN-LEAD PRE-TIN x 56				
8	TIN-LEAD PRE-TIN x 56				
9	TIN-LEAD PRE-TIN x 56				
7	TIN-LEAD PRE-TIN x 56				
6	TIN-LEAD PRE-TIN x 56				
5	TIN-LEAD PRE-TIN x 56				
4	TIN-LEAD PRE-TIN x 56				
3	TIN-LEAD PRE-TIN x 56				
3	TIN-LEAD PRE-TIN x 56				
2	TIN-LEAD PRE-TIN x 56				
2	TIN-LEAD PRE-TIN x 56				
1	TIN-LEAD PRE-TIN x 56				
1	TIN-LEAD PRE-TIN x 56				
0	PRE-TIN x 64				
0	PRE-TIN x 64				

THIS DRAWING IS A CONTROLLED DOCUMENT.

DIN T. SHINOHARA 12FEB08  
 CHK K. BETSUJI 12FEB08  
 APPV K. BETSUJI 12FEB08

STE TE Connectivity

64POSITION CAP HOUSING ASSEMBLY  
 040/070 SERIES HYBRID I/O CONNECTOR

WEIGHT 29.9 g  
 SIZE A1  
 CUSTOMER DRAWING

SCALE 2:1 SHEET 1 OF 1 REV H6

单击下面可查看定价，库存，交付和生命周期等信息

[>>TE Connectivity\(泰科\)](#)