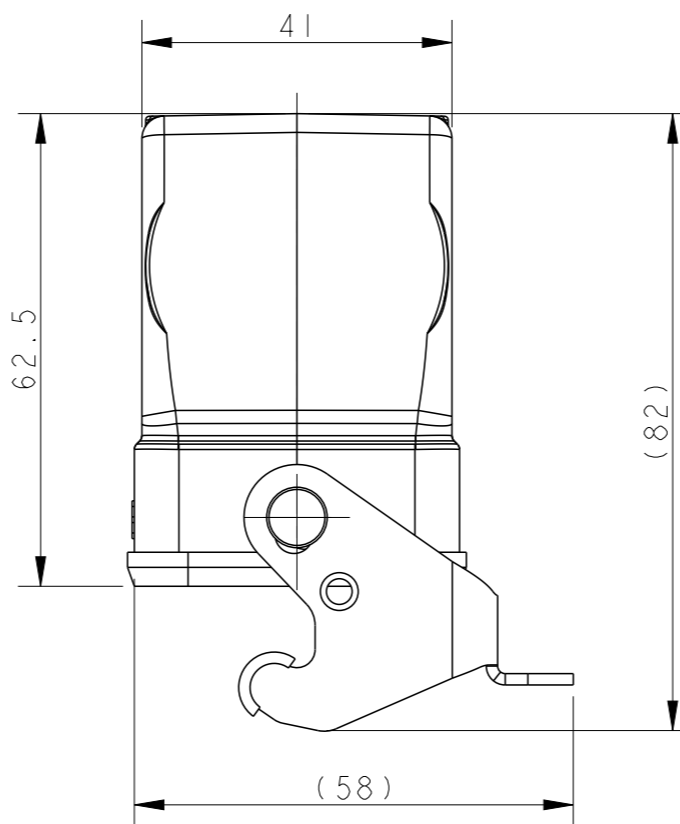
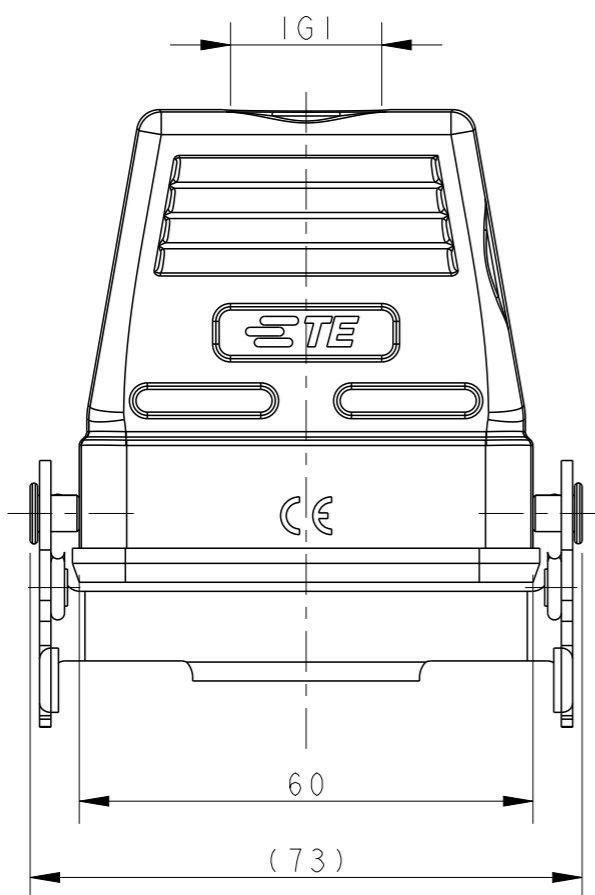


THIS DRAWING IS UNPUBLISHED. RELEASED FOR PUBLICATION 20
© COPYRIGHT 20 BY - ALL RIGHTS RESERVED.

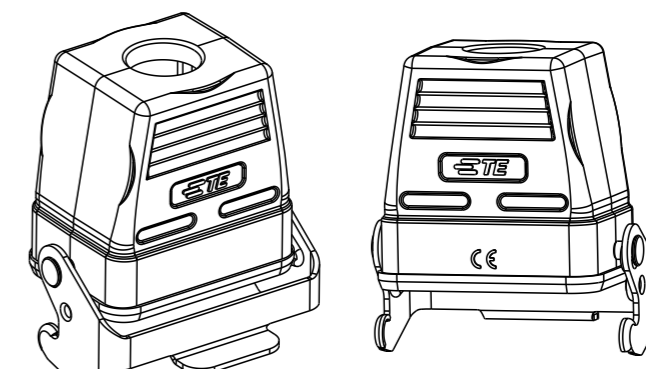
REVISIONS

P	LTR	DESCRIPTION	DATE	DWN	APVD
	A	INITIAL	23JUN2015	DW	CW
	A1	ECR-15-012067	10AUG2015	DW	CW
	A2	ECR-18-009192	05SEP2018	YC	CW
	B	ECR-20-007968	22JUN2020	WQR	CW

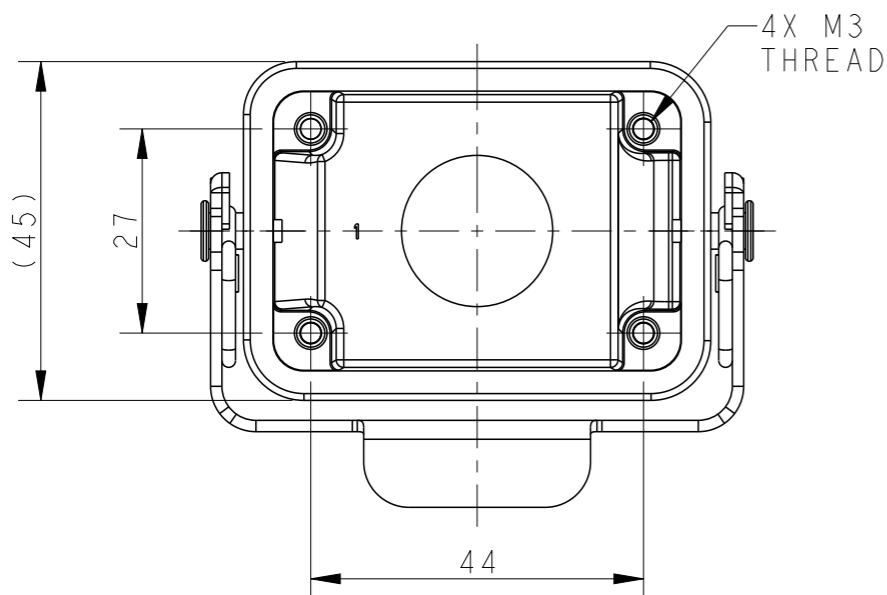


NOTES:
 1. TECHNICAL CHARACTERISTICS:
 HOOD MATERIAL: DIE CAST ALUMINIUM ALLOY
 SURFACE: POWDER COATED, GREY
 DEGREE OF PROTECTION: IP65 (MATED)

注释:
 1. 技术参数:
 电缆对接下壳材料: 铝合金
 表面处理: 粉末涂层, 灰色
 防护等级: IP65(配合)



SCALE 1:2



T1730063113-000	H6B-TBF-PG13.5	H6B HOUSING, CABLE-TO-CABLE, METAL SINGLE LOCKING, PG13.5, POWDER COATED, GREY H6B下壳, 电缆对接, 彩锌单扣, PG13.5, 灰色粉末喷涂	PG13.5
T1730063116-000	H6B-TBF-PG16	H6B HOUSING, CABLE-TO-CABLE, METAL SINGLE LOCKING, PG16, POWDER COATED, GREY H6B下壳, 电缆对接, 彩锌单扣, PG16, 灰色粉末喷涂	PG16
T1730063120-000	H6B-TBF-M20	H6B HOUSING, CABLE-TO-CABLE, METAL SINGLE LOCKING, M20, POWDER COATED, GREY H6B下壳, 电缆对接, 彩锌单扣, M20, 灰色粉末喷涂	M20
T1730063125-000	H6B-TBF-M25	H6B HOUSING, CABLE-TO-CABLE, METAL SINGLE LOCKING, M25, POWDER COATED, GREY H6B下壳, 电缆对接, 彩锌单扣, M25, 灰色粉末喷涂	M25
T1730063132-000	H6B-TBF-M32	H6B HOUSING, CABLE-TO-CABLE, METAL SINGLE LOCKING, M32, POWDER COATED, GREY H6B下壳, 电缆对接, 彩锌单扣, M32, 灰色粉末喷涂	M32
PART NUMBER 料号	PART DESCRIPTION 描述		IGI

THIS DRAWING IS A CONTROLLED DOCUMENT.

DIMENSIONS:	TOLERANCES UNLESS OTHERWISE SPECIFIED:
mm	
	0 PLC ±-
	1 PLC ±-
	2 PLC ±-
	3 PLC ±-
	4 PLC ±-
	ANGLES ±-
MATERIAL	FINISH
-	-
-	-

DWN	23JUN2015	DAVID WANG
CHK	23JUN2015	CHRIS WANG
APVD	23JUN2015	XIANG XU
PRODUCT SPEC	108-137013	
APPLICATION SPEC	114-137013	
WEIGHT	-	
Customer Drawing		



NAME		H6B-TBF-M/PG	
SIZE	CAGE CODE	DRAWING NO	RESTRICTED TO
A3	00779	©-T17300631XX000	-
SCALE		SHEET	REV
1:1		1 OF 1	B

单击下面可查看定价，库存，交付和生命周期等信息

[>>TE Connectivity\(泰科\)](#)