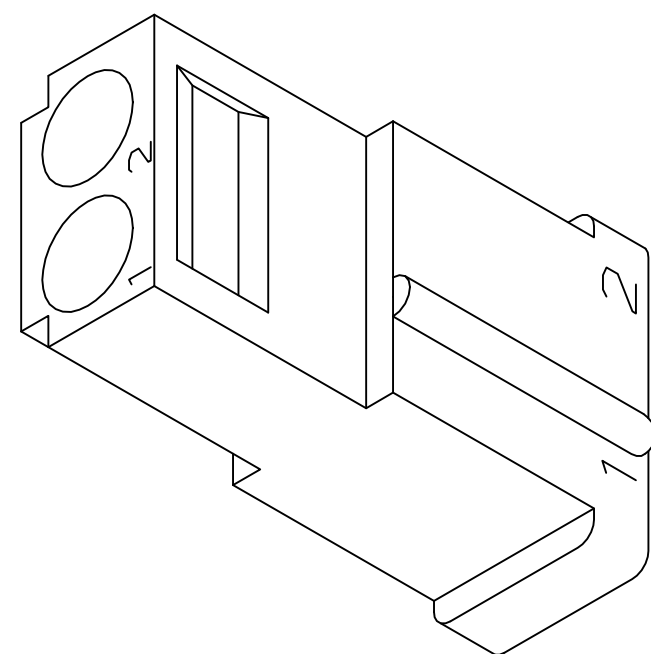
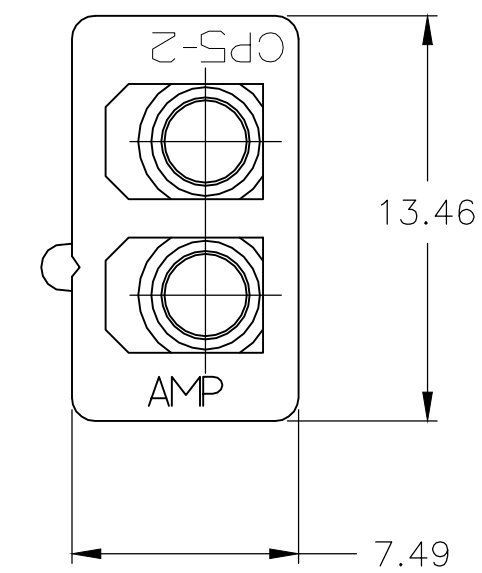
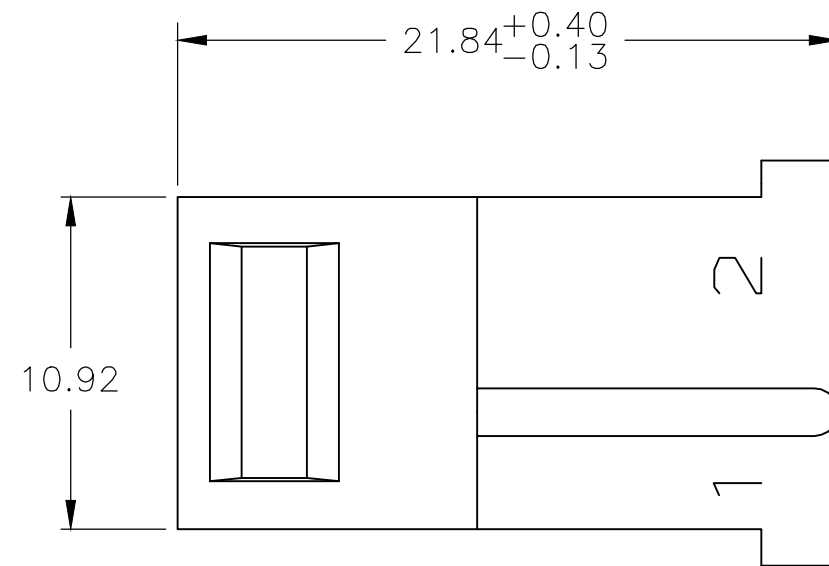
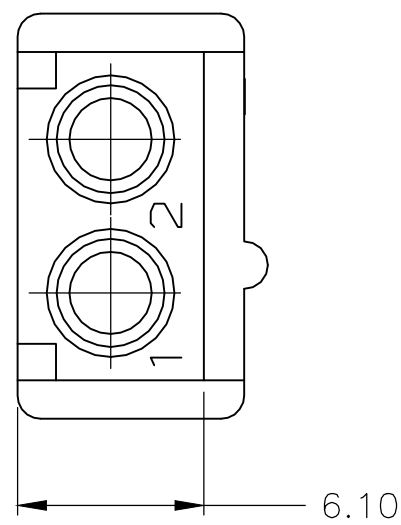


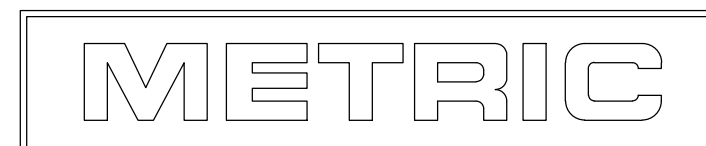
THIS DRAWING IS UNPUBLISHED. RELEASED FOR PUBLICATION
 © COPYRIGHT - By - ALL RIGHTS RESERVED.

REVISIONS					
P	LTR	DESCRIPTION	DATE	DWN	APVD
S3		REVISED PER ECR-19-003554	21NOV2019	WH	DZ

- 1 THIS PLUG TO BE USED WITH CAP NO. 480319.
- 2 TO BE USED WITH APPROPRIATE COMMERCIAL MATE-N-LOK™ SOCKETS.
- 3 DIMENSIONS IN BRACKETS ARE IN INCHES.



3-DIMENSIONAL MODELS
NTS



NATURAL UL94V-0	2-480318-0
BLACK UL94V-2	1-480318-9
YELLOW UL94V-2	1-480318-4
NATURAL UL94V-2	1-480318-0
COLOR	PART NUMBER

THIS DRAWING IS A CONTROLLED DOCUMENT.		DWN K. WHITAKER 04NOV2005		
DIMENSIONS: mm		CHK D. COLEY 04NOV2005		
TOLERANCES UNLESS OTHERWISE SPECIFIED:		APVD D. COLEY 04NOV2005	NAME	
0 PLC ± - 1 PLC ± - 2 PLC ± 0.13 3 PLC ± - 4 PLC ± - ANGLES ± 5°		PRODUCT SPEC 108-1000	PLUG 2 CIRCUIT COMMERCIAL MATE-N-LOK (TM)	
MATERIAL		APPLICATION SPEC 114-1012	SIZE A2	RESTRICTED TO
FINISH		WEIGHT -	CAGE CODE 00779	DRAWING NO C=480318
		CUSTOMER DRAWING	SCALE N/A	SHEET 1 of 1
			REV S3	

480318

单击下面可查看定价，库存，交付和生命周期等信息

[>>TE Connectivity\(泰科\)](#)