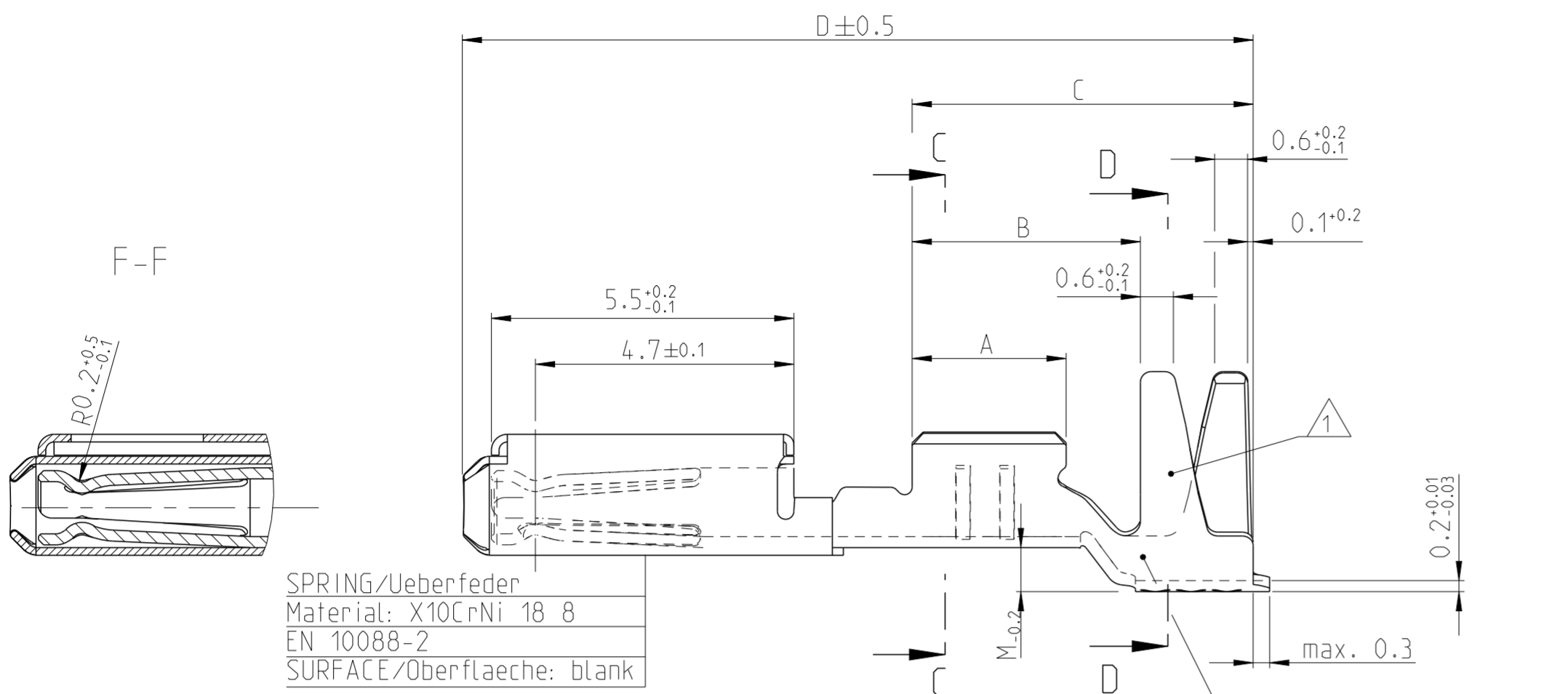
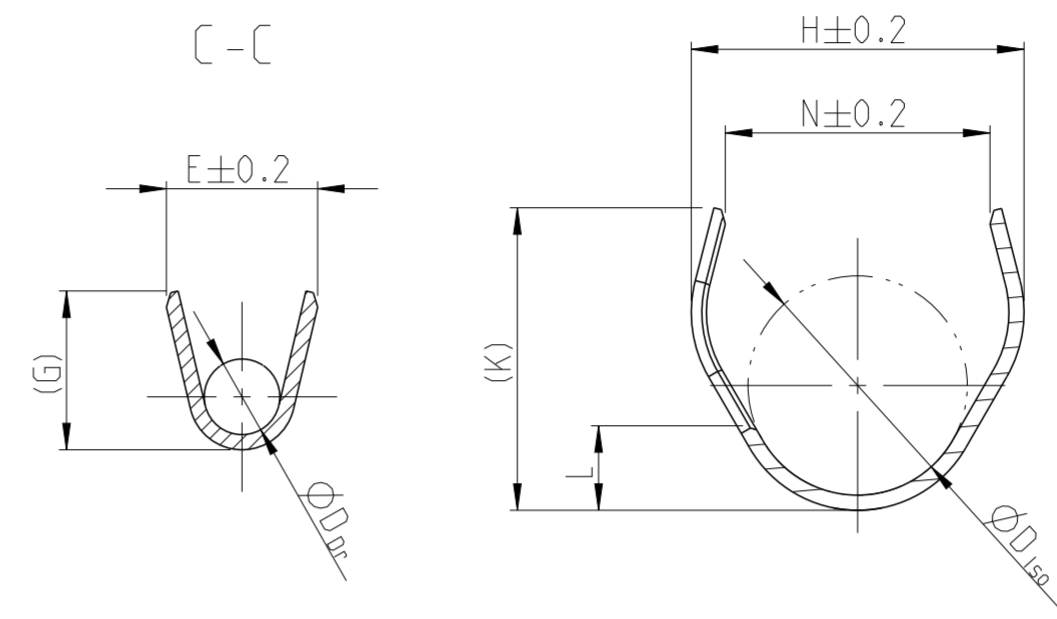


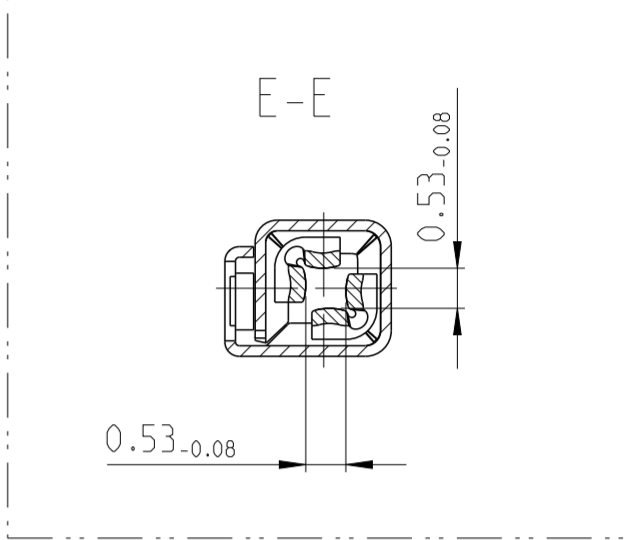
LOC		DIST		REVISIONS			
P	LTR	DESCRIPTION	DATE	DWN	APVD		
A1	-						
A2		LP variants removed. ECR-13-015135	30SEP2013	Abr	Brun		
A3		Design 2 and PN 2288140 added. ECR-14-018067	20NOV2014	Bren	Brun		
A4		Dimension of ISO-Crimp changed. ECR-17-006253	02MAY2017	HO.	BRUN		
A5		WIRE SIZE RANGE 0.22 added. PCN E-17-016682	13NOV2017	MAH.	BRUN		



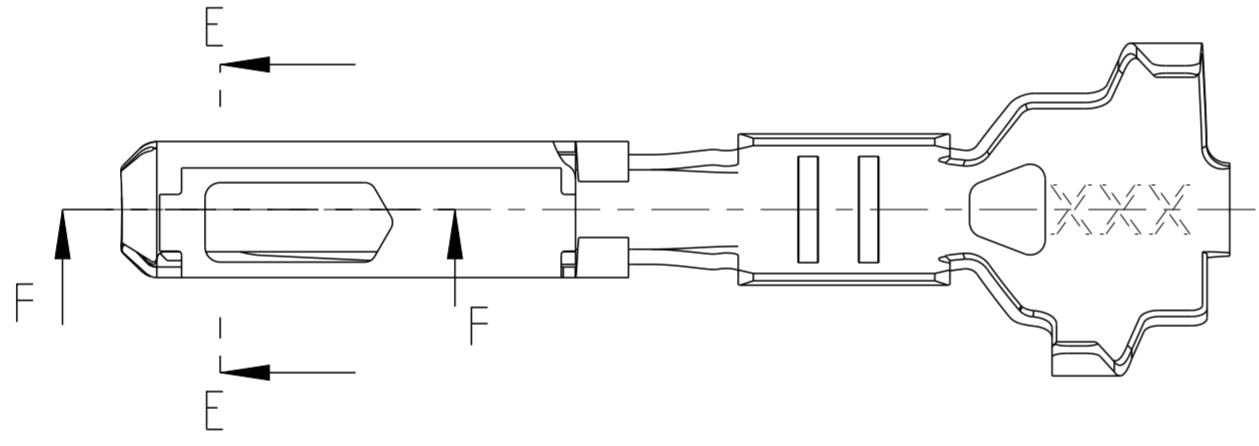
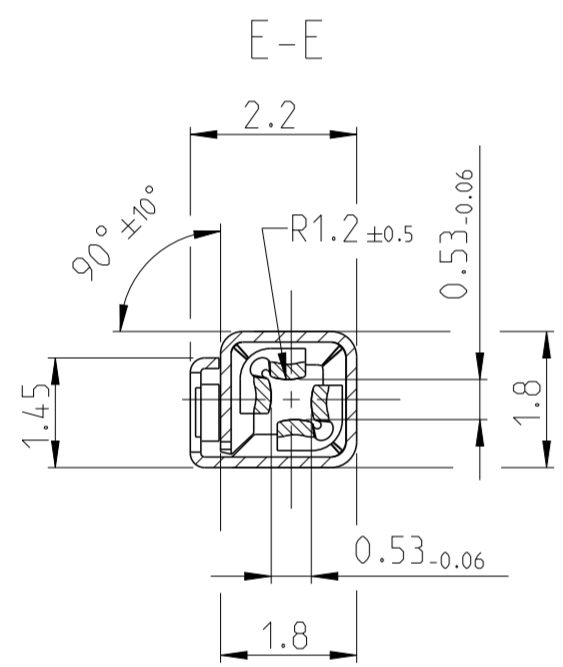
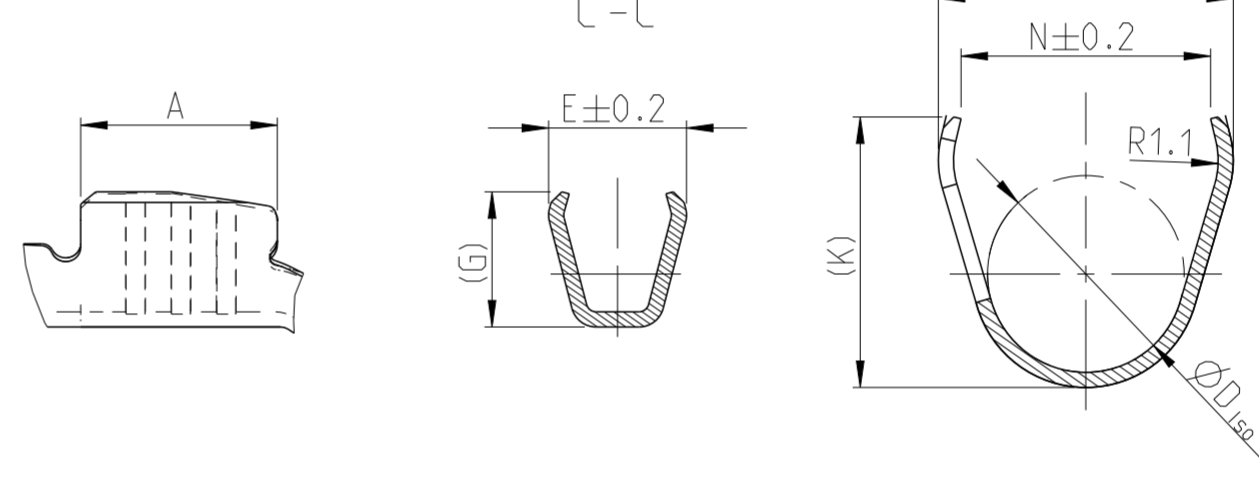
DESIGN 1 / Ausfuehrung 1



GOLD VERSION
Vergoldete Ausfuehrung

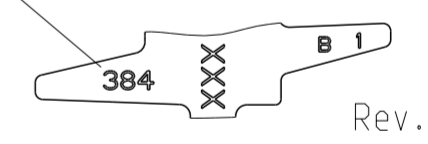


DESIGN 2 / Ausfuehrung 2



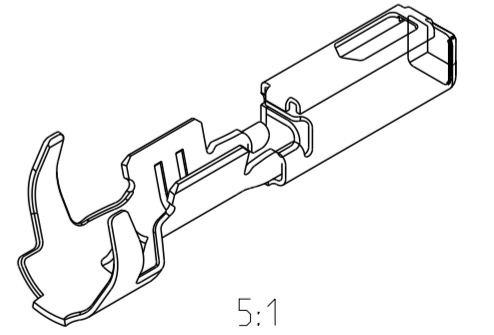
NOTES
Bemerkungen

- DATE-CODE (WEEK/YEAR (E.G. WEEK NUMBER 38/ YEAR 2004) AND TE REVISION (E.G. REV. B)
Datumscode (Woche / Jahr, z.B. KW 38/ Jahr 2004) und TE-Revision (z.B. Rev.B)
- SUITABLE FOR PIN CONTACT SEE DRAWING: TE: 929453
Passend zu Stiftkontakt siehe Zeichnung: TE: 929453
- DETAILS OF DESIGN ARE LEFT TO MANUFACTURER
Einzelheiten der Ausfuehrung bleiben dem Hersteller ueberlassen



A5

Bestell-Nr. ORDER NO. DESIGN 1	Bestell-Nr. ORDER NO. DESIGN 2	Rev	DGB Wire Size Range mm ²	Oberflaeche SURFACE	Laenge LENGTH mm	Drahtcrimp WIRE CRIMP mm	Iso-crimp INSU-CRIMP mm	DGB Wire Size Range mm ²	Isolations INSULATION DIA. mm	fuer Kammer Ø3.45 FOR CAVITY DIA. 3.45 mm	Blindstopfen RUBBER PLUG	fuer Kammer Ø4 FOR CAVITY DIA. 4 mm	Blindstopfen RUBBER PLUG
2288140-1		A	0.22-0.35	Sn	A = 2.6 B = 4.2 C = 6.2 D = 14.2 M = 0.8	E = 1.8 G = 1.8	H = 3.9 K = 3.58 N = 3.3 D _{Iso} = 2.6	0.22-0.35	0.9-1.4	967067-2 gelb YELLOW	967056-1 blau / BLUE	963142-2 grau GREY	967056-1 blau / BLUE
1703032-5		A	0.5-0.75	Au	A = 2.8 B = 4.2 C = 6.2 D = 14.2 M = 0.8	E = 2 G = 2.1 D _{Dr} = 1	H = 4.4 K = 4 L = 1.5 N = 3.5 D _{Iso} = 2.9	0.5-0.75	1.4-1.9	967067-1 gruen GREEN	967056-1 blau / BLUE	963142-1 schwarz BLACK	967056-1 blau / BLUE
1703032-1		A		Sn									



THIS DRAWING IS A CONTROLLED DOCUMENT.

DIMENSIONS: mm

TOLERANCES UNLESS OTHERWISE SPECIFIED:
 ±0.2
 ±°

MATERIAL: -

FINISH: -

DWN: Abraham.G. 01JUN2004
 CHK: Kampmann.H. 02JUN2004
 APVD: Bleicher.M. 27SEP2004

PRODUCT SPEC: 108-18030
 APPLICATION SPEC: 114-18025
 WEIGHT: 0.13 g

NAME: MQS
 SOCKET CONTACT CLEANBODY SWS
 Tabellenzeichnung Buchsenkontakt

SIZE: A2
 CAGE CODE: 00779
 DRAWING NO: C-1703040

RESTRICTED TO: -

Customer Drawing

SCALE 10:1 SHEET 1 OF 1 REV A5

单击下面可查看定价，库存，交付和生命周期等信息

[>>TE Connectivity\(泰科\)](#)