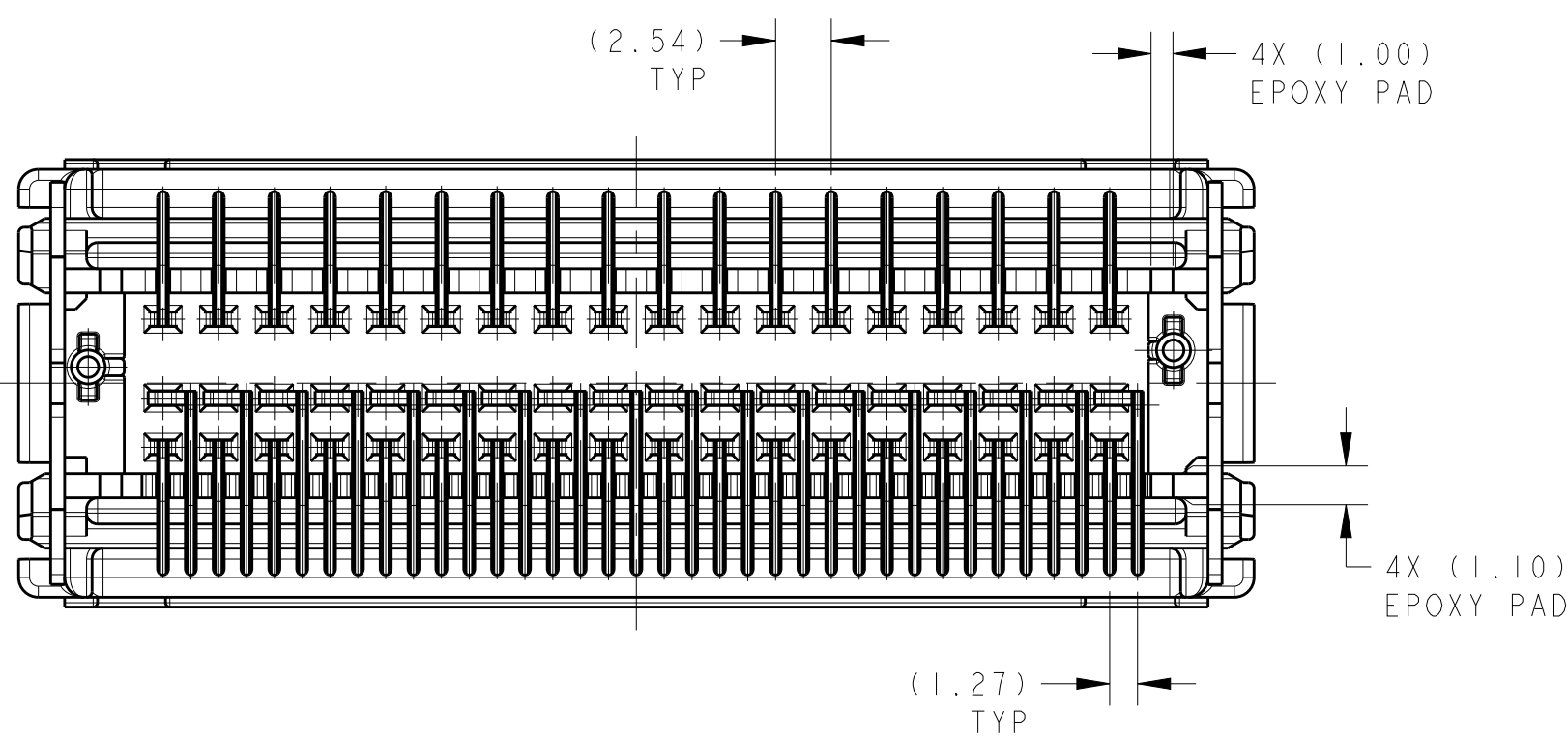
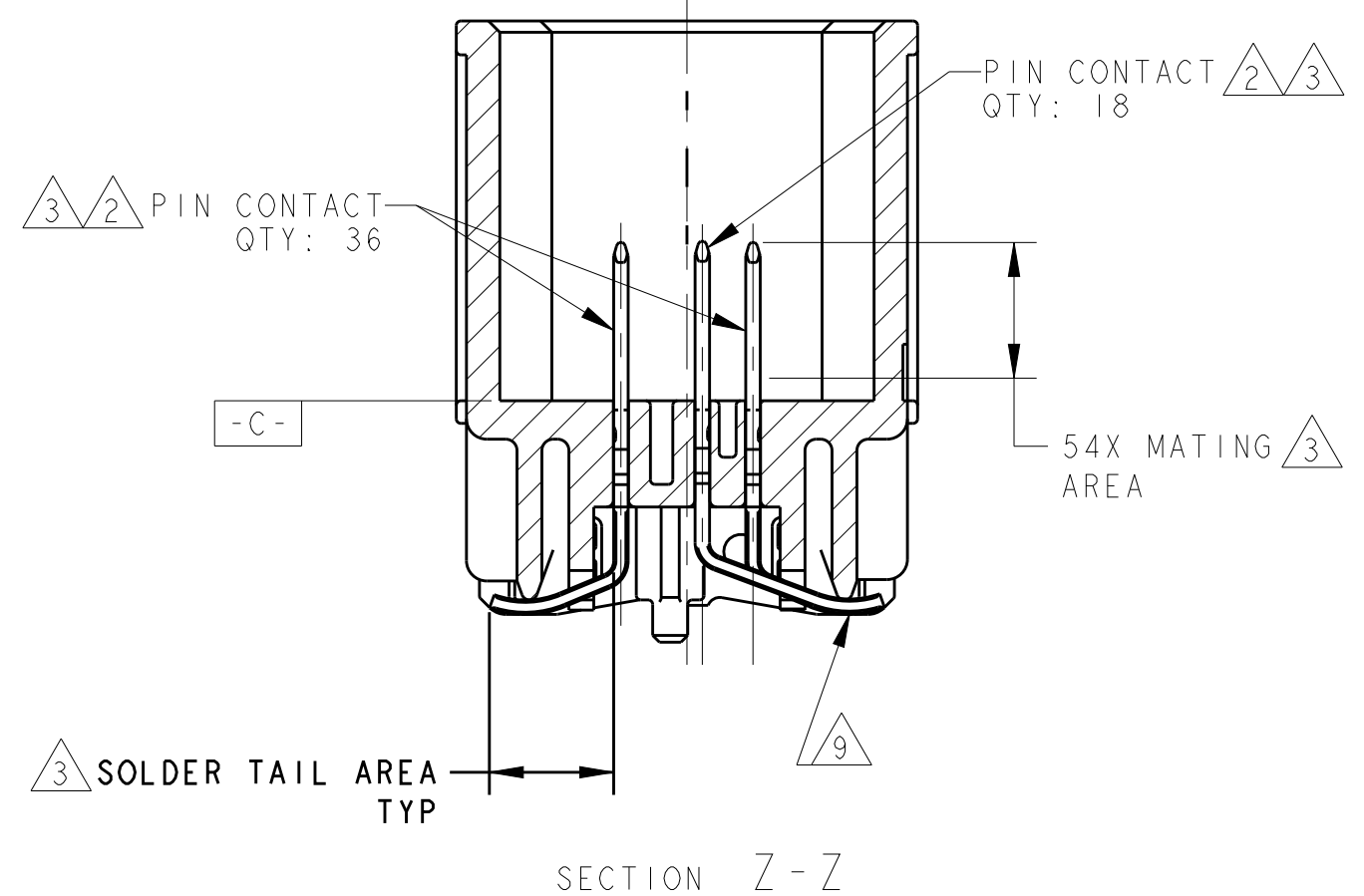
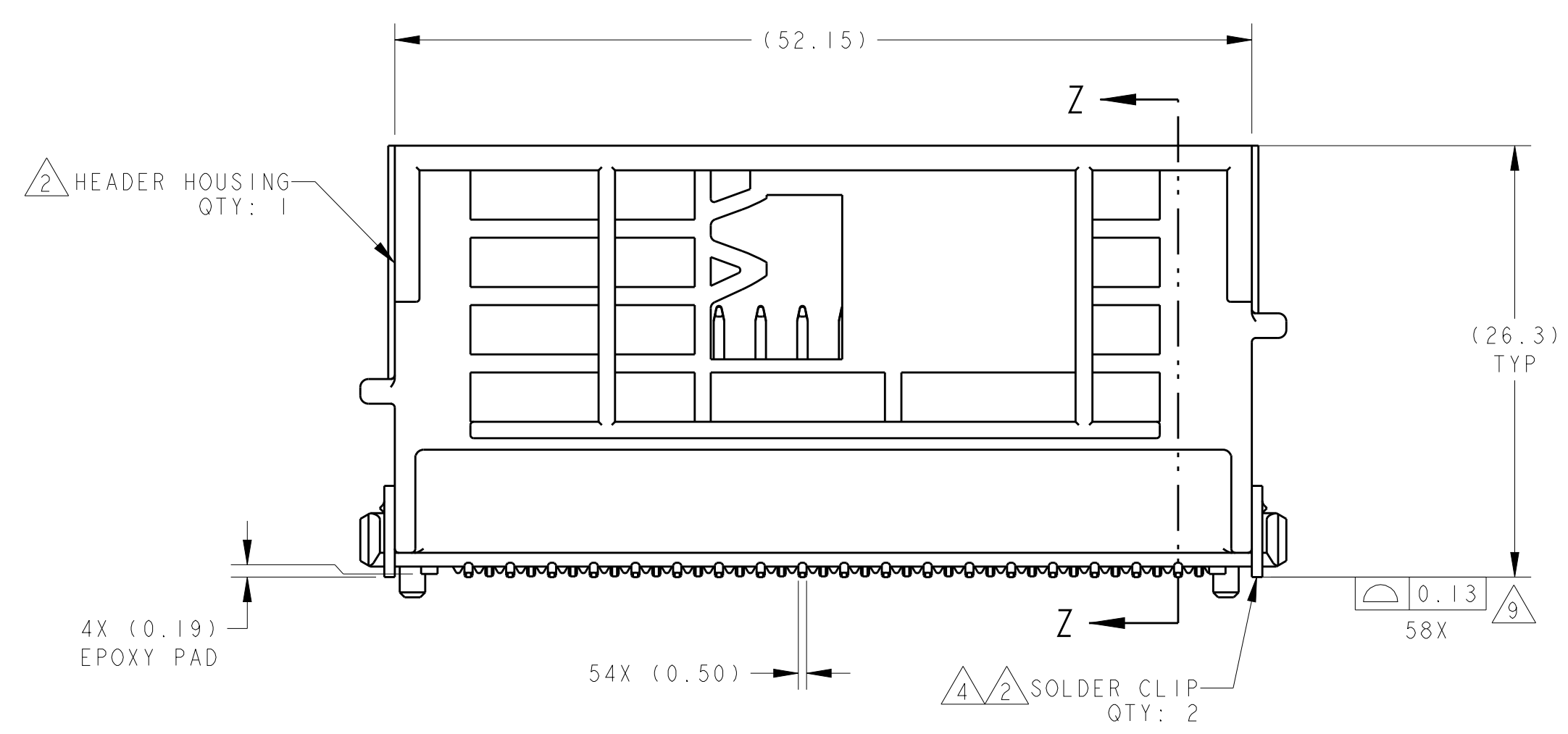
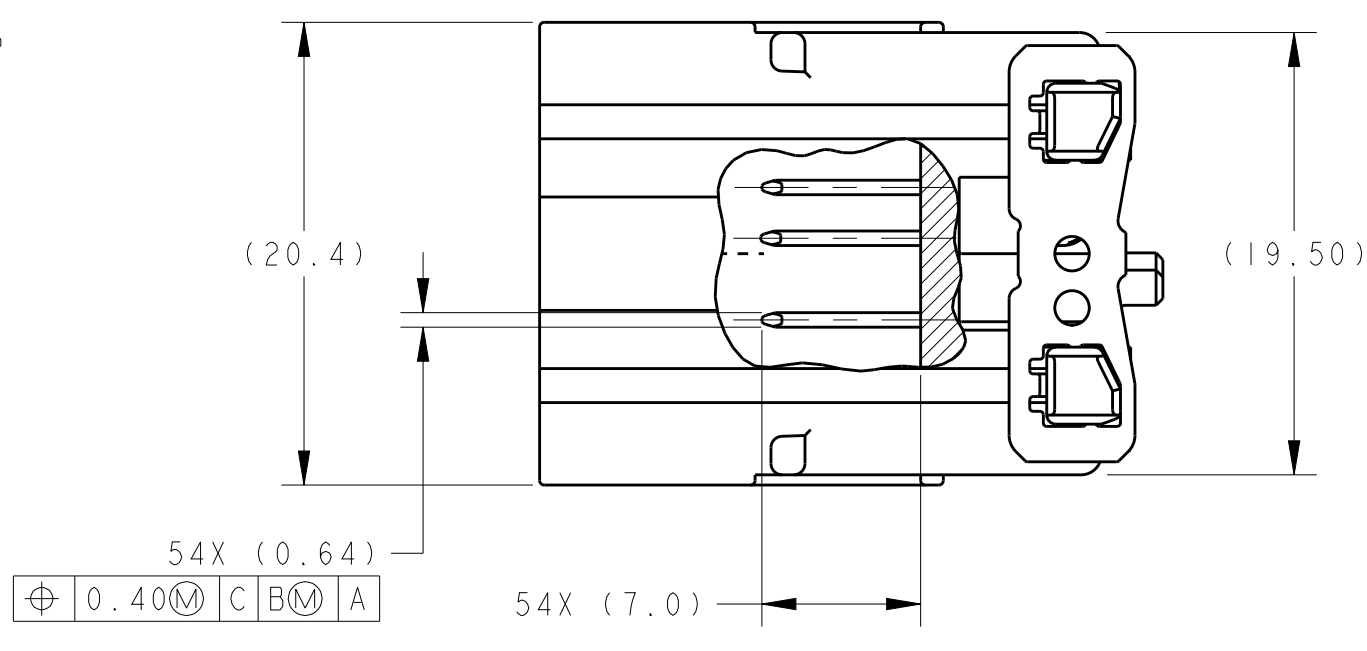
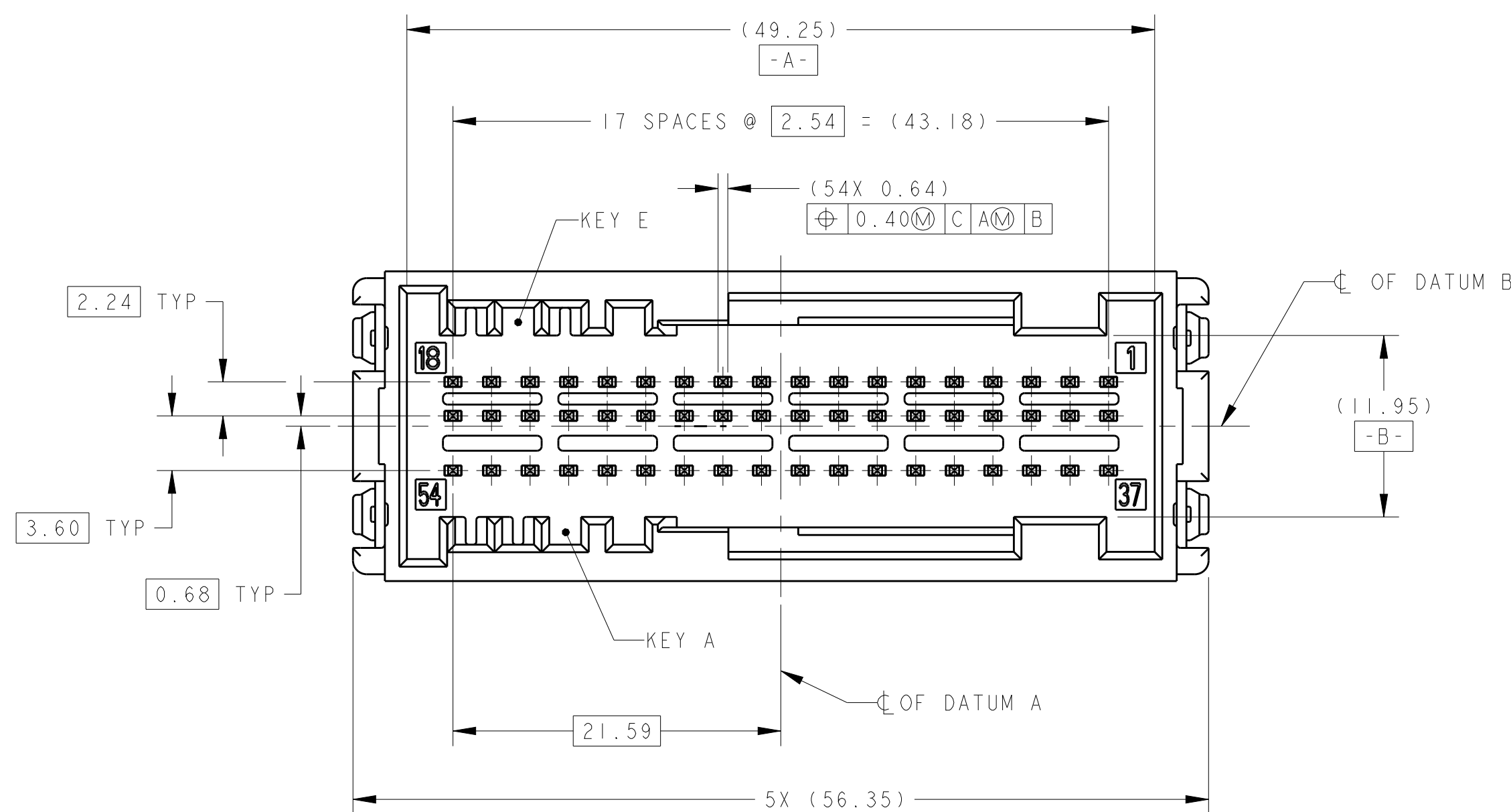
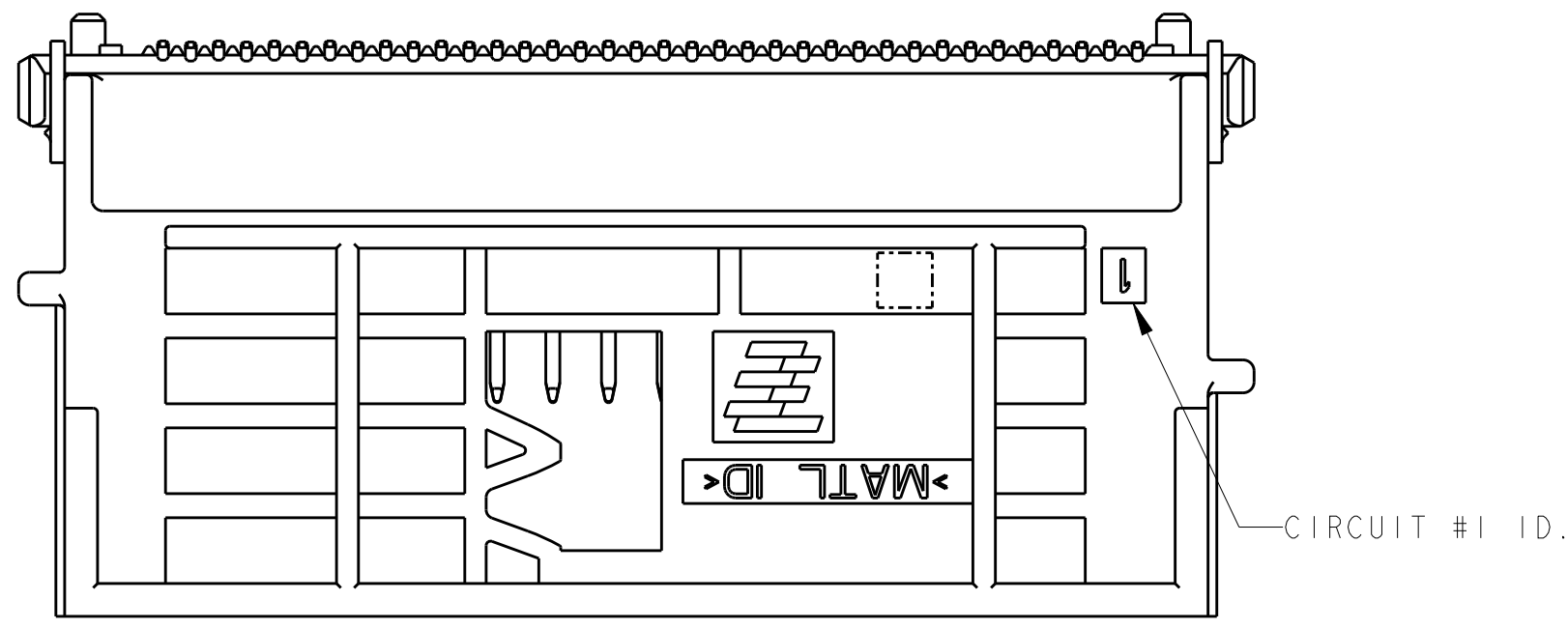
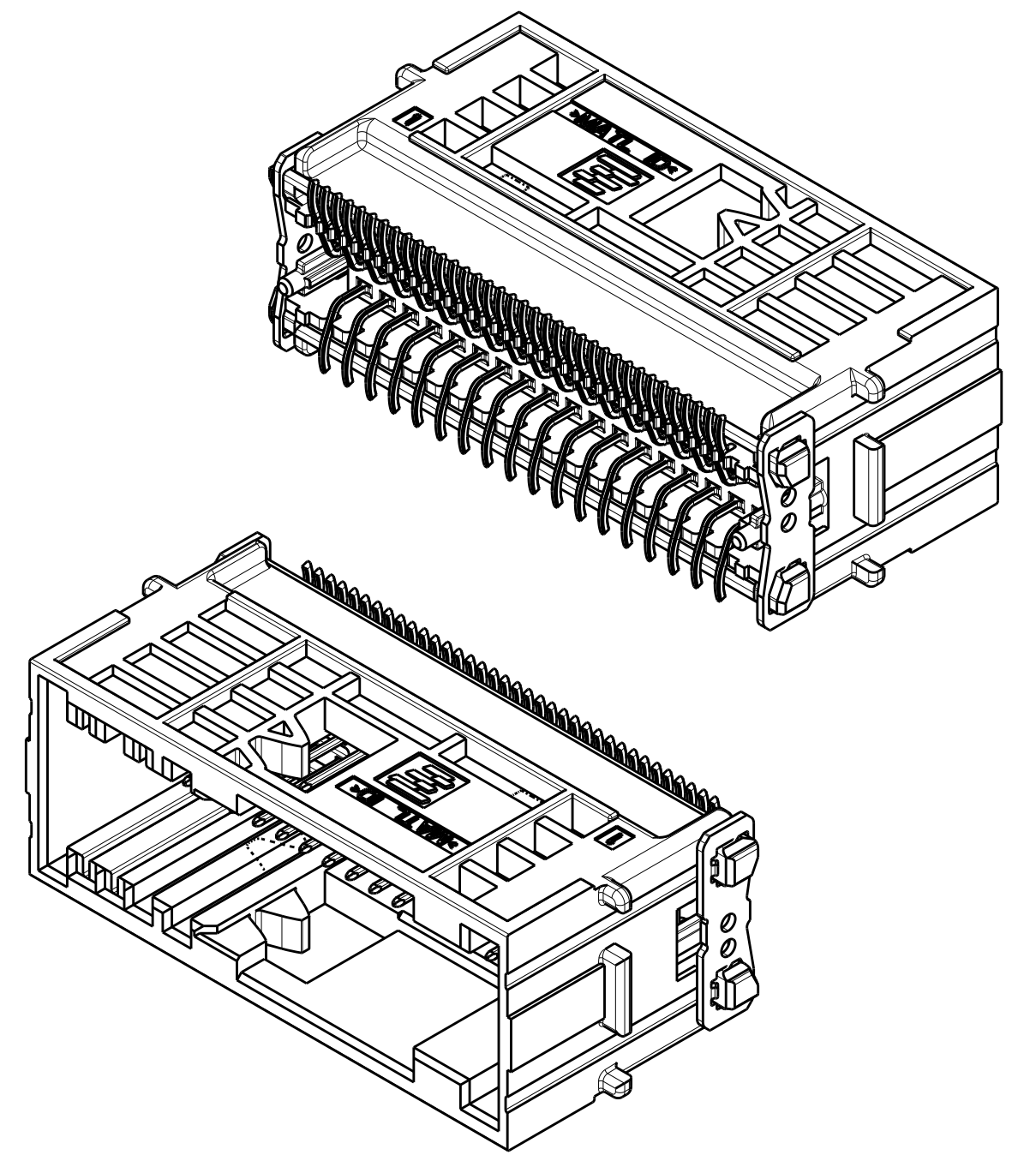


REVISIONS				
P.	LTN	DESCRIPTION	DATE	OWN APVD
D2		REVISED PER ECO-15-004309	19AUG2015	DLD CJS
D3		REVISED PER ECO-19-001555	31JAN2019	JMS CS



- 2035239-1 SHOWN.
- HEADER HOUSING: POLYESTER PCT, BLACK.
PIN CONTACTS: BRASS.
SOLDER CLIPS: BRASS
- PIN CONTACTS: 0.8µm MIN TIN IN MATING AREA AND 2.5µm MIN TIN IN SOLDER TAIL AREA ALL OVER 1.00µm NICKEL.
- SOLDER CLIPS: 3.8µm MIN TIN OVER 1.27µm MIN NICKEL.
- DATUMS AND BASIC DIMENSIONS ESTABLISHED BY CUSTOMER.
- ALLOW FOR OVER PRINTING ON PC BOARD.
- SOLDER PASTE VOLUME PER LAYOUT
SOLDER TAIL, ROW 1 (1.27) = 0.938mm³
SOLDER TAIL, ROW 2 (2.54) = 0.953mm³
SOLDER PASTE THICKNESS CAN CHANGE BASED ON APERTURE SIZE BUT SHOULD NOT VIOLATE 0.15mm THICKNESS.
- THIS PRODUCT HAS COMPLETED VALIDATION TESTING.
- THE COPLANARITY REQUIREMENT APPLIES AT THE TANGENT OF THE RADIUS OF THE J-LEAD SOLDER TAILS AS SHOWN, NOT AT THE TIPS OF THE J-LEADS.



ISOMETRIC VIEWS
SCALE 2:1

A-E	2035239-1
KEYING CODE OPTION	PART NUMBER

THIS DRAWING IS A CONTROLLED DOCUMENT. DIMENSIONING AND TOLERANCING PER ASME Y14.5M-2009.		OWN: K. FOLTZ 08MAY2008	
DIMENSIONS: mm		CHK: D. FRY 09MAY2008	
TOLERANCES UNLESS OTHERWISE SPECIFIED:		APVD: D. FRY 09MAY2008	
0 PLC ± 1 PLC ± 2 PLC ± 3 PLC ± 4 PLC ± ANGLES ± FINISH SEE NOTES AND NOTE CALLOUTS		NAME: HEADER ASSEMBLY, 54 POSITION, VERTICAL, SURFACE MOUNT, 0.64mm GENERATION Y, LAC PRODUCT SPEC: - APPLICATION SPEC: - SIZE: 114-13230 WEIGHT: - CUSTOMER DRAWING: -	
MATERIAL: -		RESTRICTED TO: A100779C=2035239	SCALE: 3:1 SHEET: 1 OF 2 REV: D3

单击下面可查看定价，库存，交付和生命周期等信息

[>>TE Connectivity\(泰科\)](#)