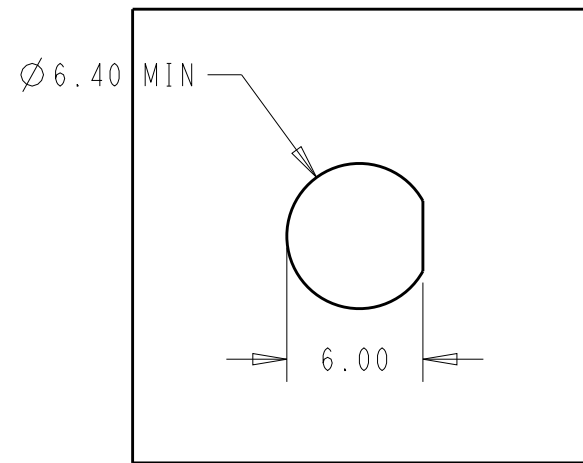
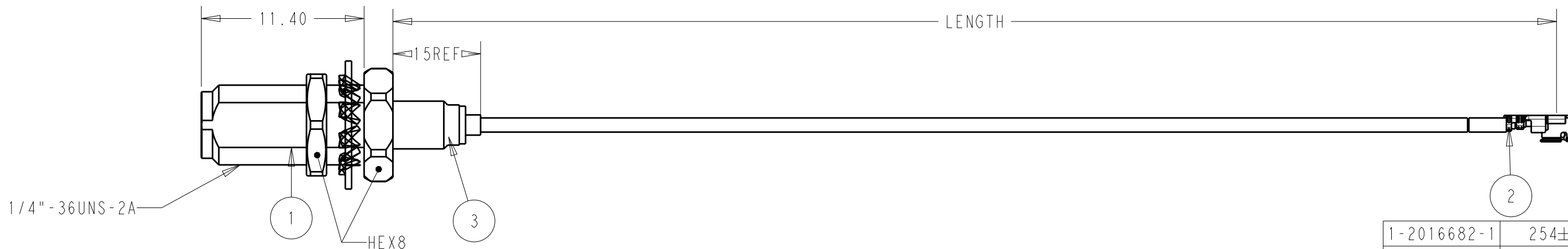
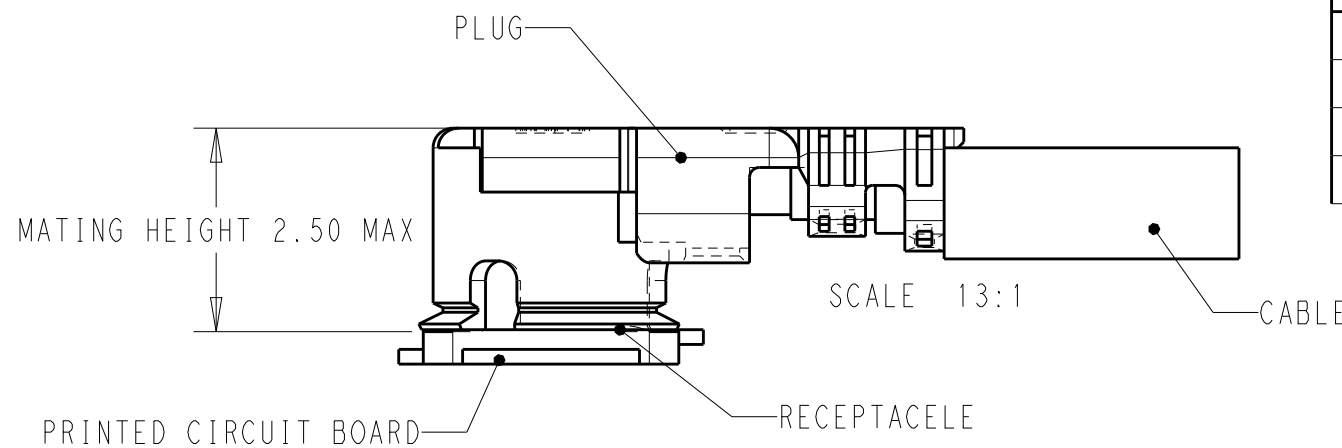


P	LTR	DESCRIPTION	DATE	DWN	APVD
	A	INITIAL CREATED	09MAR2020	CL	RS
	A1	ECR-15-001339	18MAY2020	CL	SZ



RECOMMEND PANEL HOLE



1-2016682-1	254±3
1-2016682-0	1000±10
2016682-9	750±5
2016682-8	500±5
2016682-7	350±5
2016682-6	300±3
2016682-5	250±3
2016682-4	200±3
2016682-3	150±3
2016682-2	100±3
2016682-1	50±3
PART NUMBER	LENGTH

NOTES:

- MATERIAL AND PROCESSING MUST MEET REQUIREMENTS OF TEC-138-702
- SMA BULKHEAD NEED ASSEMBLY NUT AND WASHER
- PRODUCT RATING:  
TEMPERATURE: -45°C TO +85°C  
VOLTAGE: 30V (RMS)  
CHARACTERISTIC IMPEDANCE: 50 OHMS Normal  
FREQUENCY RANGE: DC TO 6GHz  
BEND RADIUS: 5MM MIN
- CABLE ASSEMBLY TO BE 100% SI TESTED  
VSWR:  
1.3:1 MAX @ DC~1000MHz  
1.5:1 MAX @ 1000~4000MHz  
2.0:1 MAX @ 4000~6000MHz  
INSERT LOSS: (2.60\*LENGTH+0.4)dB MAX @2GHz  
LENGTH UNIT IS METER IN THE FORMULA
- SMA INTERFACE FOLLOW IEC 60169-15  
UMCC GEN1 CAN MATE WITH I-PEX MHF SERIES AND HIROSE U.FL SERIES

PC	Q'TY	UNIT	DESCRIPTION	ITEM
PC	1		HEAT SHRINK TUBE	3
PC	0.5		RF CA,UMCC GEN1 BOTH END, WITH 1.13CABLE	2
PC	1		SMA BULKHEAD, FOR 1.13 CABLE	1

THIS DRAWING IS A CONTROLLED DOCUMENT.		DWN 25MAR2019 Cedar Liu		
DIMENSIONS: mm		CHK 26MAR2019 Cedar Liu		
TOLERANCES UNLESS OTHERWISE SPECIFIED:		APVD 09MAR2020 Roger Song	NAME RF CA,SMA BK TO UMCC GEN1 1.13	
0 PLC ±-		PRODUCT SPEC	SIZE CAGE CODE DRAWING NO RESTRICTED TO	
1 PLC ±0.5		APPLICATION SPEC	A3 00779 C-2016682	
2 PLC ±0.13		WEIGHT	SCALE 1:1 SHEET 1 OF 1 REV A1	
3 PLC ±0.013		RESTRICTED CUSTOMER		
4 PLC ±0.0001				
ANGLES ±-				
MATERIAL TBD				
FINISH -				
finish_spec_2				

单击下面可查看定价，库存，交付和生命周期等信息

[>>TE Connectivity\(泰科\)](#)