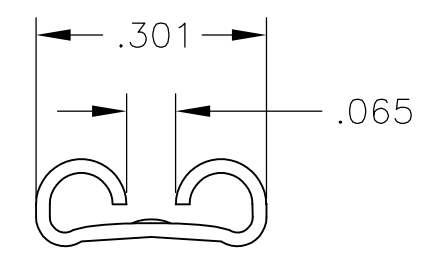
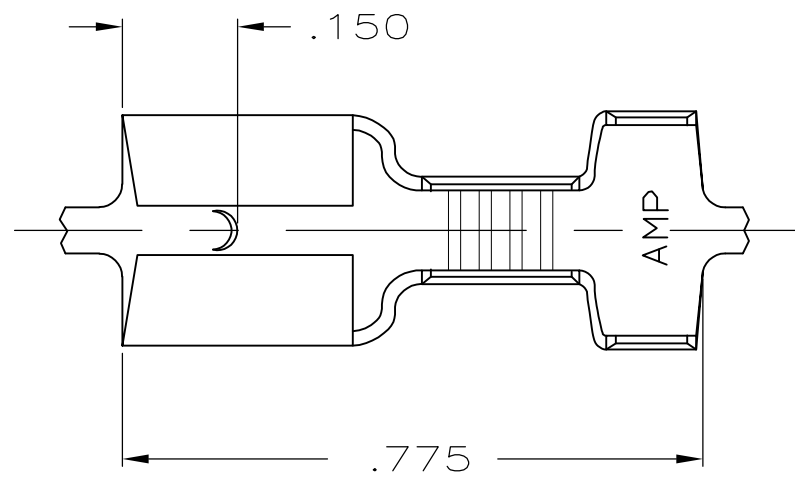


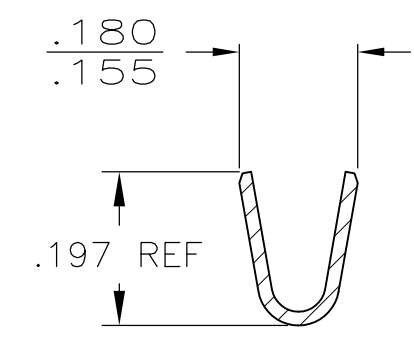
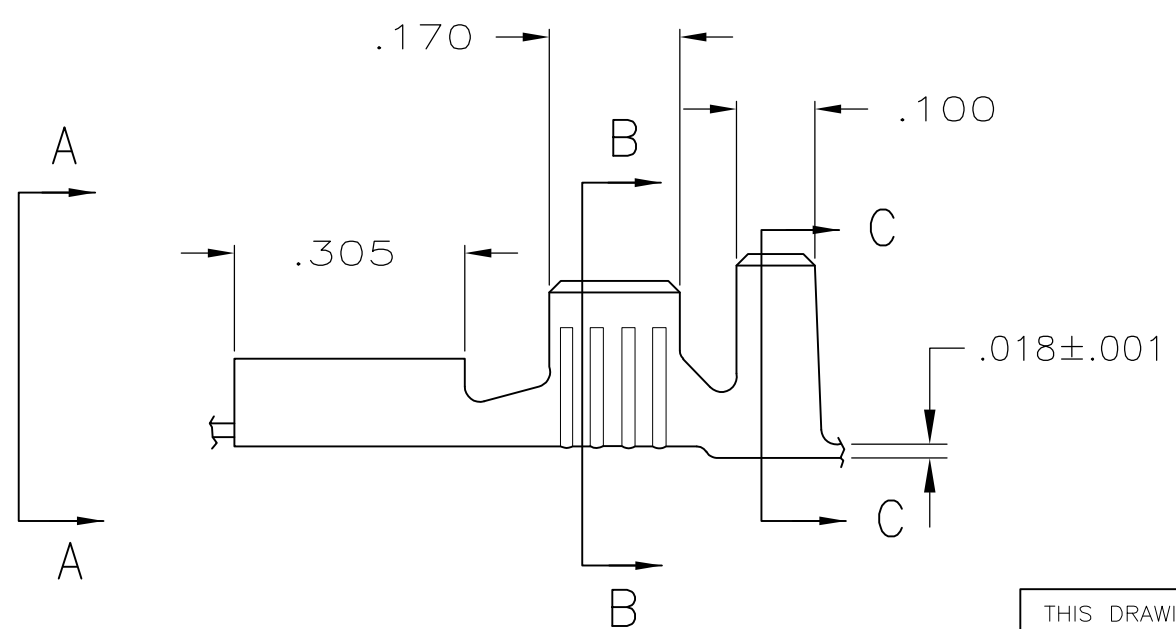
THIS DRAWING IS UNPUBLISHED. RELEASED FOR PUBLICATION
 © COPYRIGHT - By - ALL RIGHTS RESERVED.

LOC	DIST	REVISIONS			
P	LTR	DESCRIPTION	DATE	DWN	APVD
AF	50				
	D	REVISED PER ECR-12-013518	23NOV2012	KH	PD

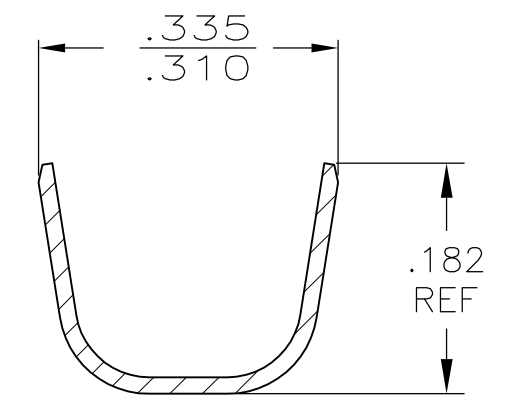
- 1 CONTINUOUS STRIP ON REELS.
 - 2 MATING TAB THK .032±.001
 - 3 WIRE SIZE IS 14-10 OR TWO #14'S
 - 4 INSULATION RANGE IS .220-.275 OR TWO AT .140 DIA MAX
- 5 PRELIMINARY - NOT FOR PRODUCTION



VIEW A-A



SECT B-B



SECT C-C

---	5	63419-2
TIN		63419-1
FINISH		PART NO.

THIS DRAWING IS A CONTROLLED DOCUMENT.		DWN	JR RUTH	1-16-86	STE TE Connectivity		
DIMENSIONS: INCHES		CHK	R KUZO	1-20-86			
TOLERANCES UNLESS OTHERWISE SPECIFIED:		APVD	G YETTER	1-20-86	NAME		
0 PLC ± -		PRODUCT SPEC		RECEPTACLE, FASTON, .250 SERIES			
1 PLC ± -		APPLICATION SPEC		SIZE	CAGE CODE	DRAWING NO	RESTRICTED TO
2 PLC ± -		MATERIAL		A300779		C-63419	-
3 PLC ± .010		FINISH		CUSTOMER DRAWING			SCALE
4 PLC ± -		SEE TABLE		4:1			SHEET
ANGLES ± -				1 OF 1			REV
				D			

单击下面可查看定价，库存，交付和生命周期等信息

[>>TE Connectivity\(泰科\)](#)