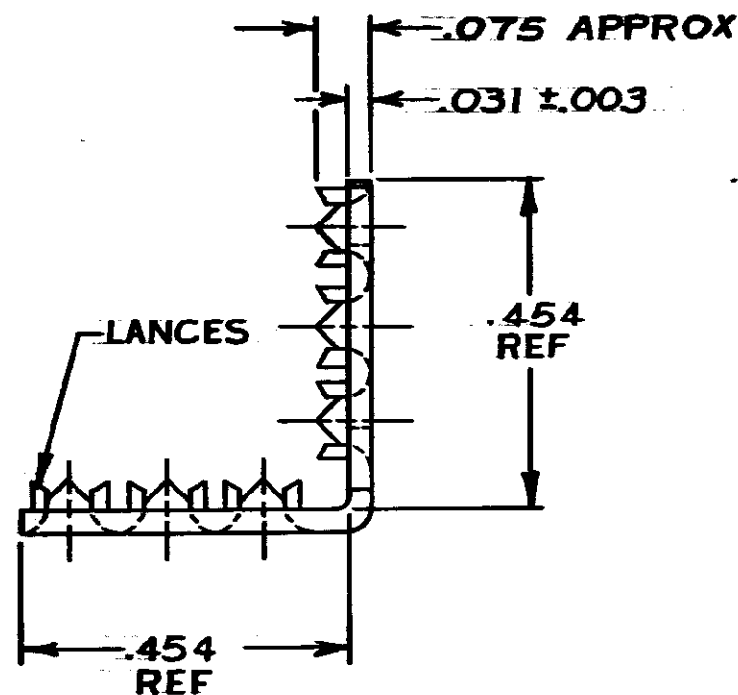
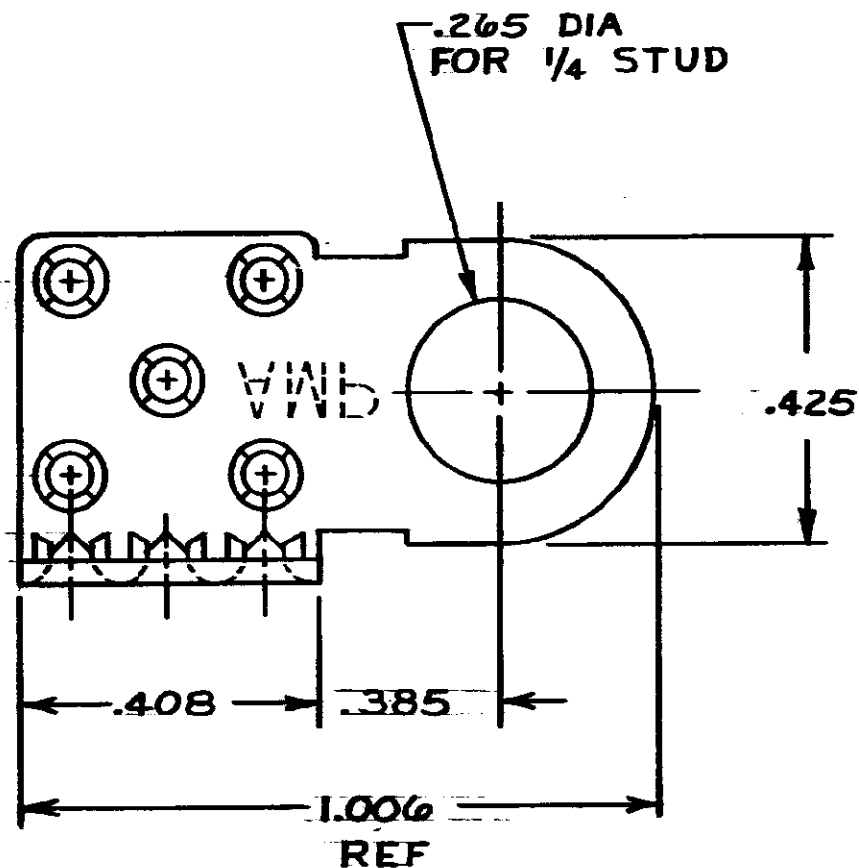


© COPYRIGHT 1980 BY AMP INCORPORATED, HARRISBURG, PA.
 ALL INTERNATIONAL RIGHTS RESERVED. AMP INCORPORATED PRODUCTS
 COVERED BY U. S. AND FOREIGN PATENTS AND/OR PATENTS PENDING.

REVISIONS						
P	F	ZONE	LTR	DESCRIPTION	DATE	APPROVED
✓	✓		O	REL P80-20013	PA 4/17/80	PA
✓	✓		A	REV U-1456	PA 6/17/80	PA
✓	✓		B	REV U-1509	CP 9/19/80	PA
✓	✓		C	REV PER G-5581	11/6/90	DKS/AJK



AS SHOWN 276959-2
 REMARKS PART NO

UNLESS OTHERWISE SPECIFIED DIMENSIONS ARE IN INCHES. TOLERANCES ON: DECIMALS ±.008 ANGLES ± 5°	CONTRACT NO	AMP INCORPORATED Harrisburg, Pa.	
	DR <i>P. M. M. 3/10/80</i>		
	CHEK <i>Craig Pierce 4-17-80</i>	NAME	TERMI-FOIL TAP
	APPD <i>John R. Williams 3/10/80</i>	APPD	SIZE B CODE IDENT NO 00779 DRAWING NO 276959
MATERIAL COPPER-ANNEALED (QQ-C-576)	DSGN-APPD <i>John R. Williams 3/10/80</i>	SCALE 4:1	SHEET
FINISH TIN PLATE (MIL-T-10727)	OTHER APPD <i>RE Dotted 9/11/80</i>		

单击下面可查看定价，库存，交付和生命周期等信息

[>>TE Connectivity\(泰科\)](#)