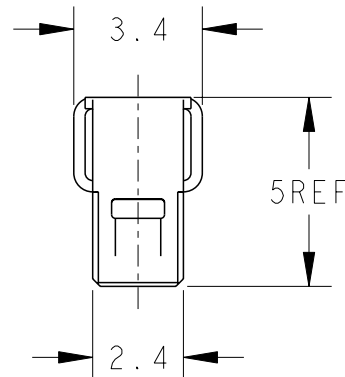
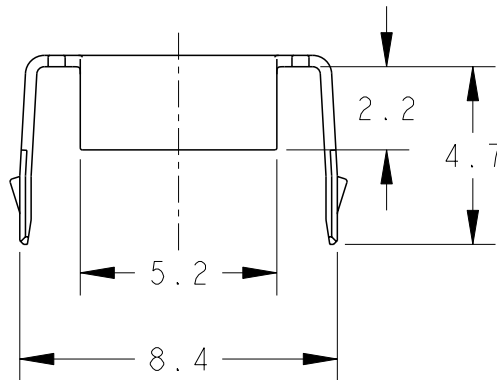
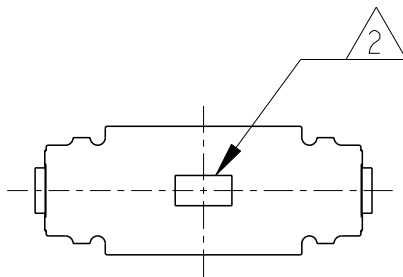


REVISIONS

P	LTR	DESCRIPTION	DATE	DWN	APVD
	A	RELEASED	28MAR2016	K.T	E.T
	A1	REVISED	28APR2016	K.T	E.T
	B	REVISED	06JUN2016	K.T	E.T

- 1 MATERIAL: STAINLESS STEEL
- 2 COMPANY LOGO
- 3. REFER TO INSTRUCTION SHEET 408-78115



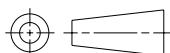
2295205-1: AS SHOWN

THIS DRAWING IS UNPUBLISHED. BY -

ALL RIGHTS RESERVED.

© COPYRIGHT 20

DIMENSIONS: mm  TOLERANCES UNLESS OTHERWISE SPECIFIED: ± 0.3 0 PLC ± _____ 1 PLC ± _____ 2 PLC ± _____ 3 PLC ± _____ 4 PLC ± _____ ANGLES ±5°	DWN K. TERAJIMA 28MAR2016 CHK E. TAKEMASA 28MAR2016 APVD E. TAKEMASA 28MAR2016 PRODUCT SPEC 108-140100	MATERIAL -  FINISH -			
	APPLICATION SPEC - WEIGHT -	NAME THERMOCOUPLE CONNECTOR 2POS STRAIN RELIEF SIZE A 4 CAGE CODE - DRAWING NO C-2295205	RESTRICTED TO -	SCALE 5:1	SHEET 1 OF 1
CUSTOMER DRAWING					



单击下面可查看定价，库存，交付和生命周期等信息

[>>TE Connectivity\(泰科\)](#)