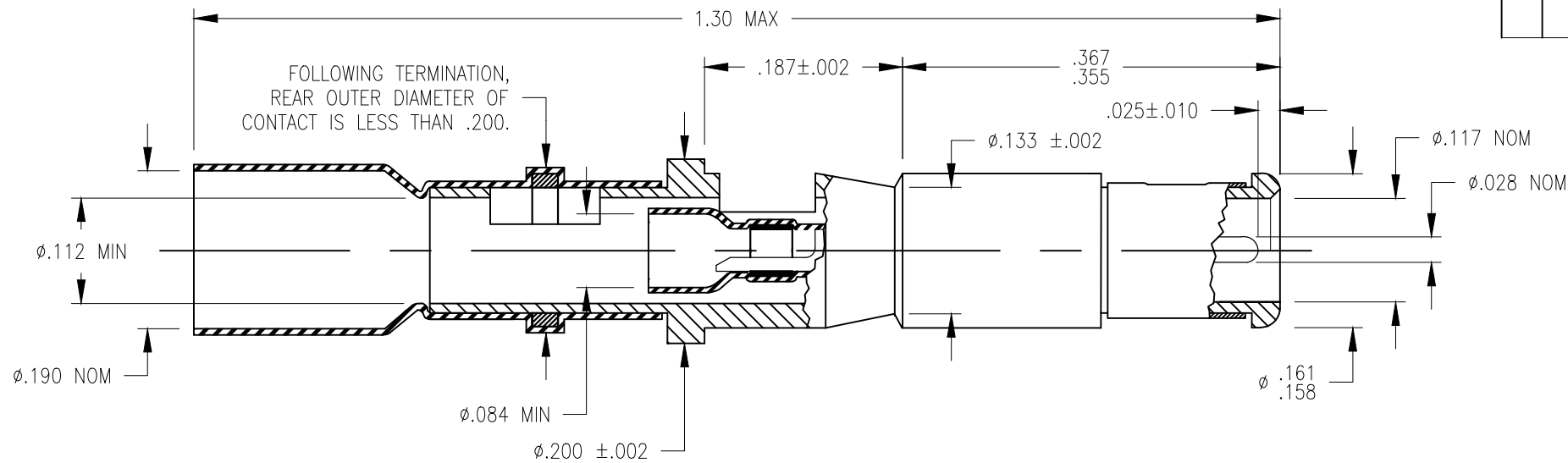


P	LTR	DESCRIPTION	DATE	DWN	APVD
	K	AS PER ECO-20-003687	09MAR2020	MG	UV



NOTES:

1. THIS CONTACT IS DESIGNED FOR USE IN MIL-C-26482, SERIES I CONNECTORS.
2. THIS CONTACT IS DESIGNED TO ACCOMODATE COAXIAL CABLES LISTED IN THE TABLE.
3. MATING CONTACT (FOR SIMILAR CABLES): D-602-17.
4. FOR TERMINATION PROCEDURE, SEE RAYCHEM SPECIFICATION ES 61161.

RG CABLE NO.	RAYCHEM CABLE NO.
RG 174 /U	5024A 1X1X
RG 179A /U	5026A 1X1X
RG 316	5028A 1X1X
	5030A 1X1X
	7528A 1X1X
	7530A 1X1X
	9532A 1X1X

CONTACT CHARACTERISTICS:


MATERIALS:

1. OUTER CONTACT: BRASS PER ASTM B16/B16M.
PLATING: GOLD PER ASTM B488 (MIL-G-45204), NICKEL PER AMS QQ-N-290, OVER COPPER FLASH.
2. INNER CONTACT: BRASS PER ASTM B16/B16M.
PLATING: GOLD PER ASTM B488 (MIL-G-45204), NICKEL PER AMS QQ-N-290, OVER COPPER FLASH.
3. SPRING CLIP: BERYLLIUM COPPER PER ASTM B194.
PLATING: NICKEL PER AMS QQ-N-290.
4. DIELECTRIC: ETFE FLUOROPOLYMER PER ASTM D3159.
5. SOLDER: SN63 PER ANSI/J-STD-006.
FLUX: ROLO PER ANSI/J-STD-004.
6. CABLE SUPPORT TUBING: HEAT-SHRINKABLE, RADIATION CROSS-LINKED POLYVINYLIDENE FLUORIDE.

PERFORMANCE:

- TEMPERATURE RATING: 125°C MAXIMUM
 CURRENT RATING: 3 AMPS
 VOLTAGE RATING: DIELECTRIC WITHSTANDING VOLTAGE: 900 VOLTS RMS, MAXIMUM.
 CONTACT RESISTANCE: 5 MILLIOHMS MAXIMUM
 INSULATION RESISTANCE: 5,000 MEGAOHMS MINIMUM.
 ENGAGEMENT FORCE: OUTER SOCKET: 20.0 OZ. MAXIMUM
 SEPARATION FORCE: OUTER SOCKET: 3.0 OZ. MINIMUM

SPECIFICATION CONTROL DRAWING

THIS DRAWING IS A CONTROLLED DOCUMENT.		DWN M.GOWDA 09MAR2020	 TE Connectivity NAME COAXIAL CONTACT SIZE 12 SOCKET				
DIMENSIONS: INCHES		CHK N.HEGDE 09MAR2020					
TOLERANCES UNLESS OTHERWISE SPECIFIED:		APVD U.VARMA 09MAR2020					
0 PLC ± - 1 PLC ± - 2 PLC ± - 3 PLC ± - 4 PLC ± - ANGLES ± -		PRODUCT SPEC -					
MATERIAL		FINISH	APPLICATION SPEC -	SIZE A3	CAGE CODE 06090	DRAWING NO C-D-602-16	RESTRICTED TO -
CUSTOMER DRAWING			WEIGHT -	SCALE DNS	SHEET 1 OF 1	REV K	

单击下面可查看定价，库存，交付和生命周期等信息

[>>TE Connectivity\(泰科\)](#)