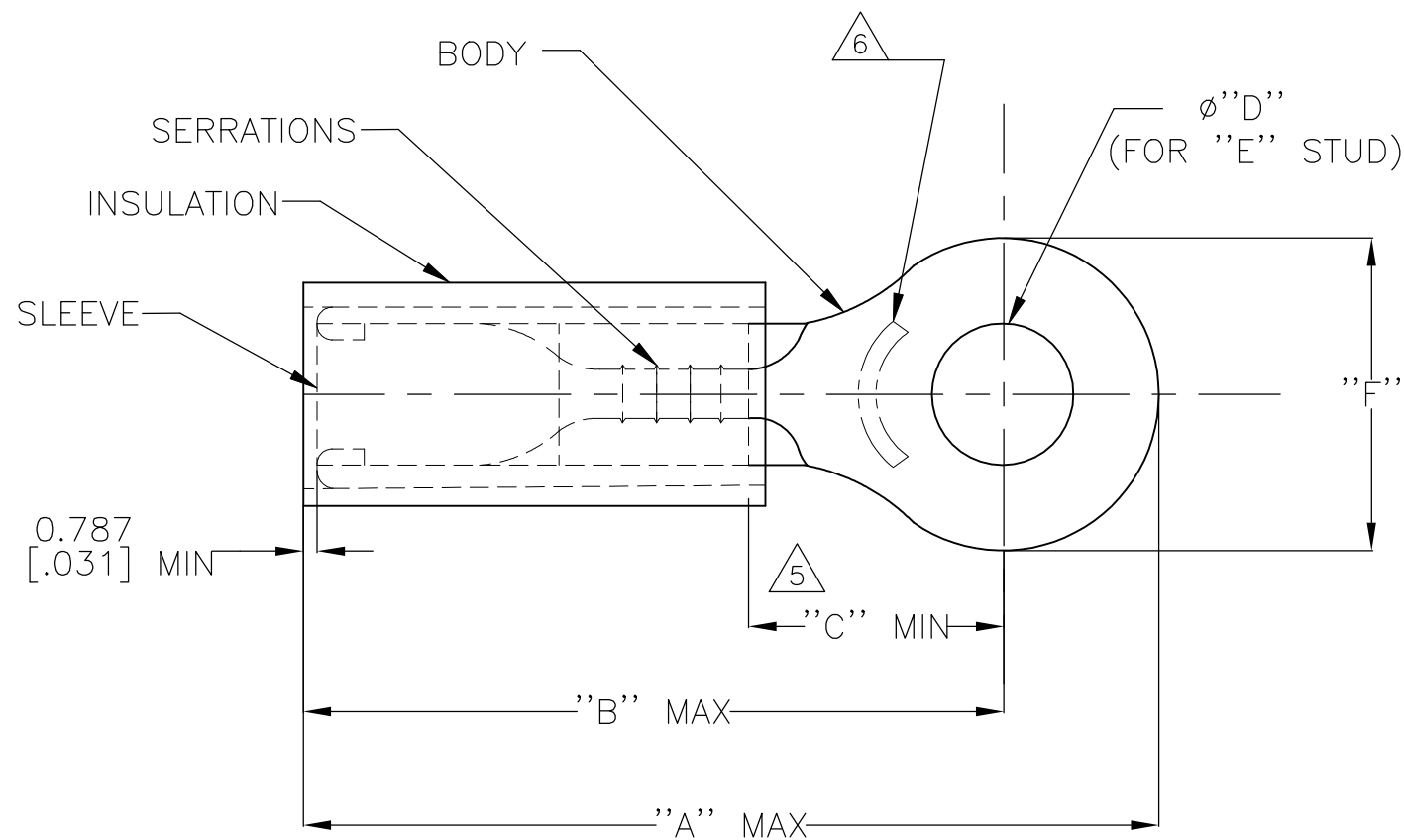


THIS DRAWING IS UNPUBLISHED. RELEASED FOR PUBLICATION
 © COPYRIGHT - By - ALL RIGHTS RESERVED.

REVISIONS					
P	LTR	DESCRIPTION	DATE	DWN	APVD
	K4	REVISED PER ECO-15-016493	28NOV2015	NK	DR
	K5	REVISED PER ECO-17-016703	02APR2018	RS	DR



- 1 BODY: COPPER ASTM B152
 GOLD PL ASTM B488 TYPE 1, CODE C
 0.0012[.00005] MIN EXT THK OVER NICKEL PLATE
 SAE AMS QQ-N-290 0.00076 [.00003] AVG THK
 SLEEVE: COPPER ASTM B152
 NICKEL PL SAE AMS QQ-N-290
 0.00076 [.00003] AVG EXT. THK
- 2 FOR 2.032[.080] TO 3.810[.150] WIRE INSULATION DIA.
- 3 BODY MATERIAL THK: 0.787±0.051 [.031±.002]
- 4 NOTE DELETED
- 5 DIMENSION APPLIES FROM EDGE OF METAL WIRE BARREL TO CENTER OF STUD HOLE
- 6 STAMP "AMP 14" APPROX AS SHOWN

1-332438-0	17.856 [.703]	14.605 [.575]	4.343 [.171]	3.683±0.076 .145±.003	M3.5 [#6]	6.350 [.250]
PART NO.	"A"	"B"	"C"	"D"	"E"	"F"

1000	LOOSE PIECE	1-332438-0	PTFE (ASTM D3295) COLOR: WHITE
QTY	PACKAGE TYPE	PART NO.	INSULATION MATERIAL

**AMP INCORPORATED
 CUSTOMER SERVICE SYSTEMS**

FOR ADDITIONAL PRODUCT INFORMATION OR COPIES OF DRAWINGS AND TECHNICAL DOCUMENTS
 PRODUCT INFORMATION CENTER
 1-800-522-6752

FOR APPLICATION TOOLING INFORMATION
 TOOLING ASSISTANCE CENTER
 1-800-722-1111

FOR ORDER ENTRY
 1-800-526-5142

MAX RECOMMENDED OPERATING TEMPERATURE:
 260°C [500°F]

VOLTAGE RATING:
 300V MAX

CIRCULAR MIL AREA:
 2.15mm²[4,234]
 STRANDED WIRE ONLY

THIS DRAWING IS A CONTROLLED DOCUMENT.

DIMENSIONS:
 mm [INCHES]

TOLERANCES UNLESS OTHERWISE SPECIFIED:

0 PLC	± -
1 PLC	± -
2 PLC	± -
3 PLC	± 0.127[.005]
4 PLC	± -
ANGLES	± 5°

MATERIAL 1 SEE TABLE FINISH 1 SEE TABLE

DWN 01DEC2015 NAGALAKSHMI K
 CHK 01DEC2015 MERCURIO MAURIZIO
 APVD 01DEC2015 MERCURIO MAURIZIO

STE TE Connectivity Ltd.

WIRE TERMINAL
 PIDG, STRATO-THERM, RING TONGUE
 WIRE SIZE:14 AWG

SIZE A3 CAGE CODE 00779 DRAWING NO C-332438 RESTRICTED TO -

WEIGHT CUSTOMER DRAWING SCALE NTS SHEET 1 OF 1 REV K5

单击下面可查看定价，库存，交付和生命周期等信息

[>>TE Connectivity\(泰科\)](#)