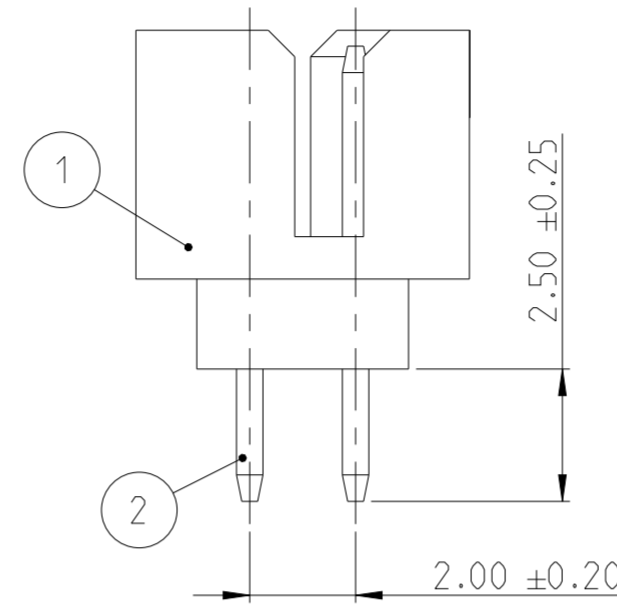
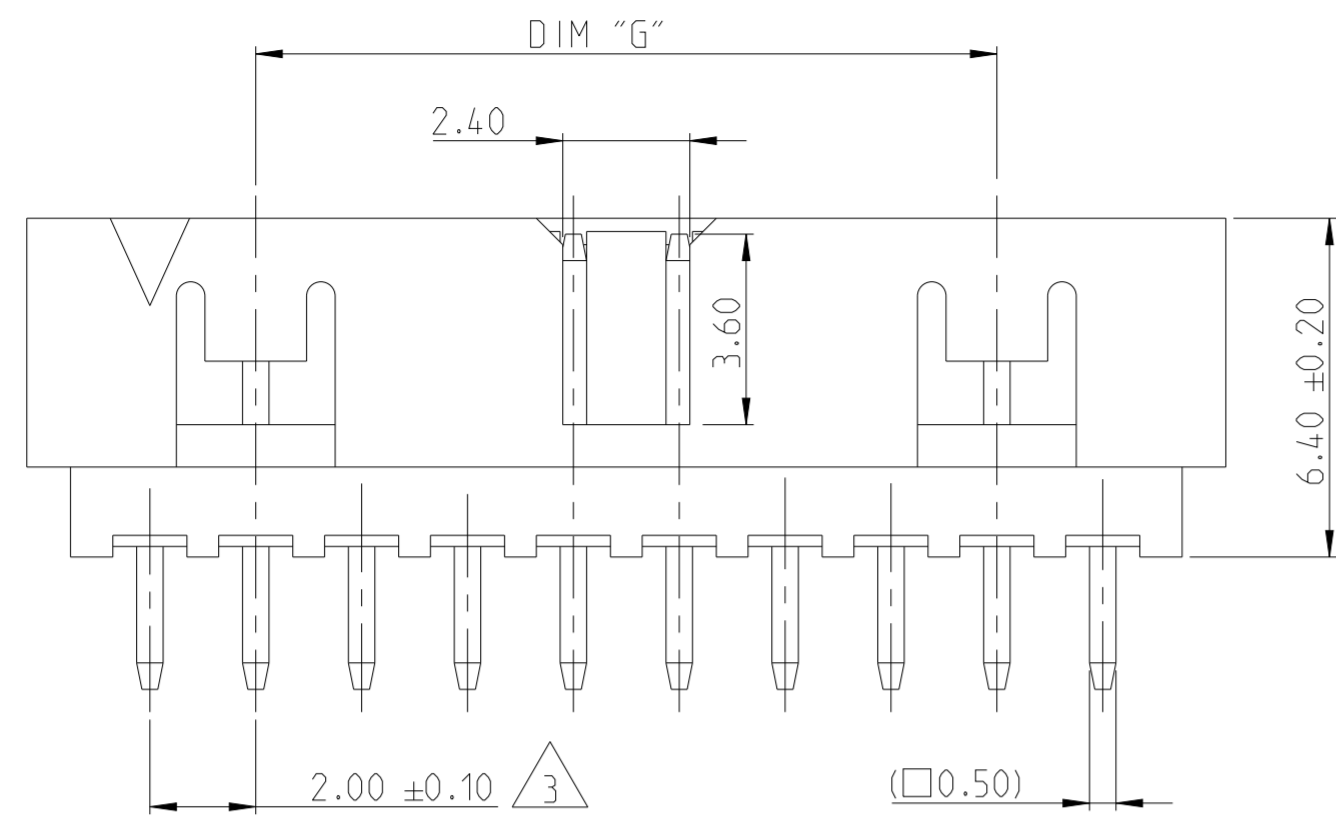
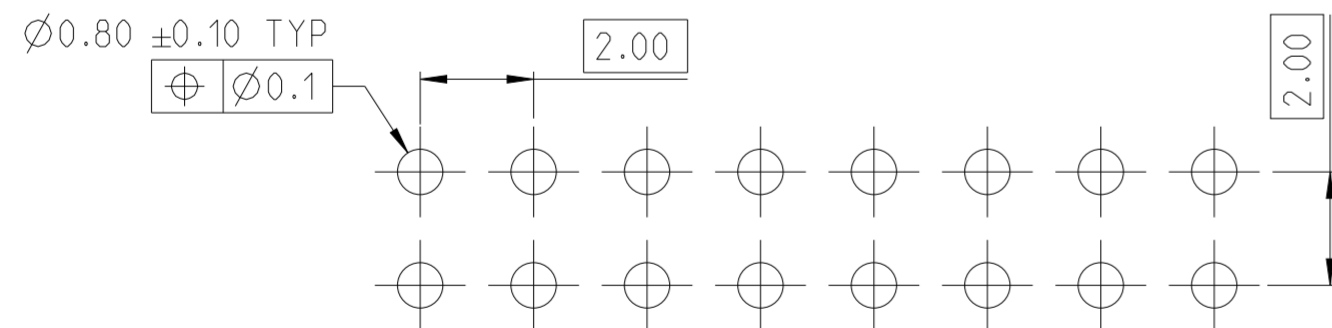
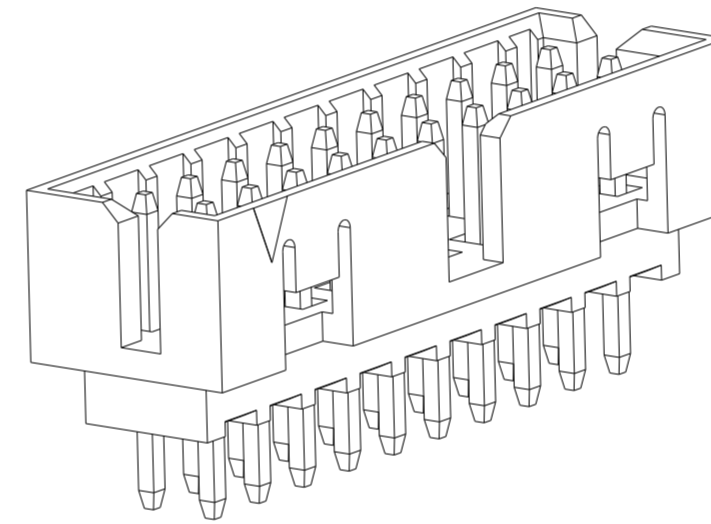
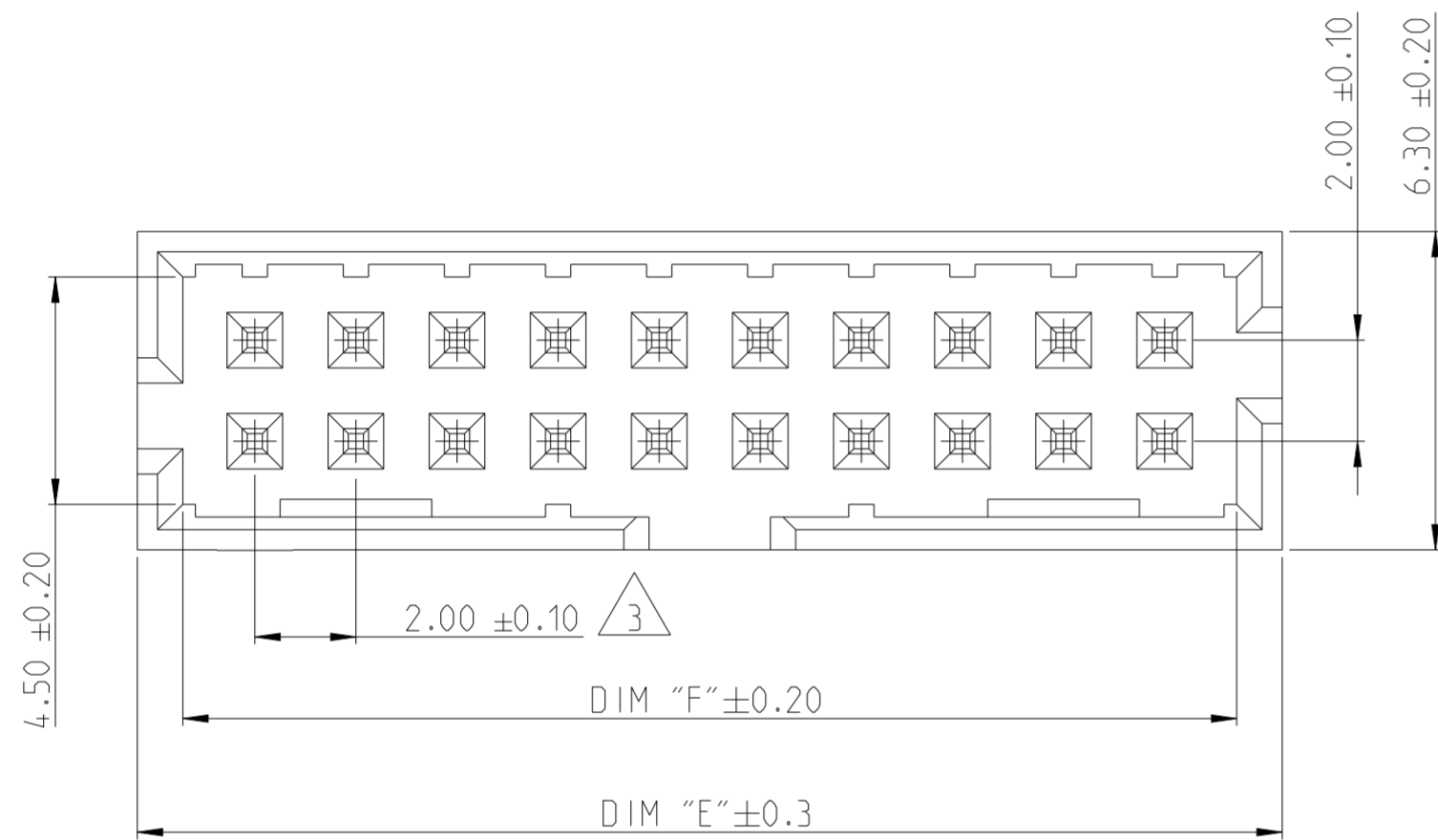


P	LTR	DESCRIPTION	DATE	DWN	APVD
A		RELEASE TO PRODUCTION	09DEC2019	AY	PS
A1		18 POSITION ADDED	13MAY2021	AY	PS

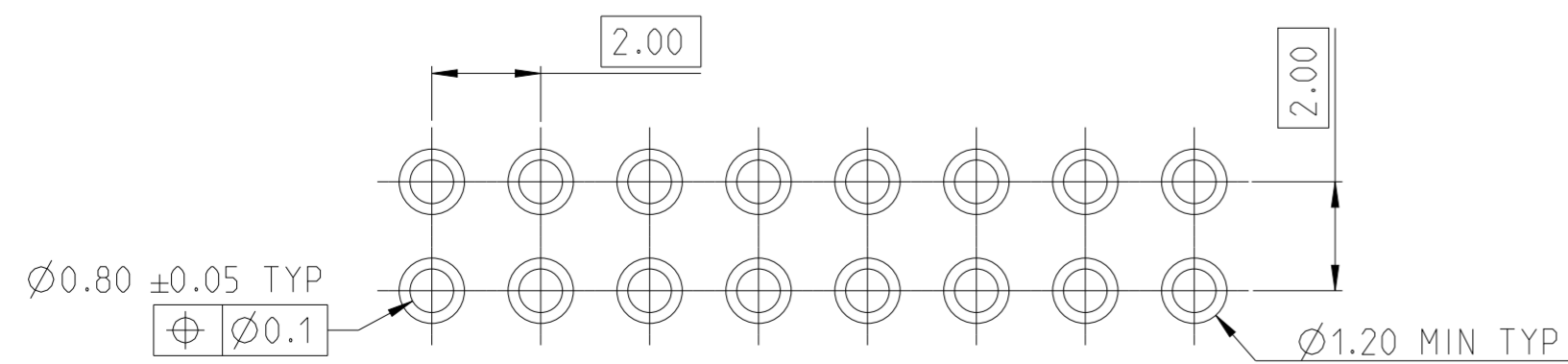


NOTES:

- MATERIAL
HOUSING : HIGH TEMPERATURE THERMOPLASTIC, UL94-V0; COLOR- BLACK
POST : COPPER ALLOY
FINISH :
MATING SIDE: MIN. 0.76 µm GOLD OVER NICKEL UNDER PLATING.
SOLDER SIDE: MIN. 2.0 µm TIN OVER NICKEL UNDER PLATING.
 - PACKAGING: TUBE
- △ TOLERANCE NOT CUMULATIVE.



RECOMMENDED PCB HOLE PATTERN FOR THROUGH HOLE WAVE



RECOMMENDED PCB HOLE PATTERN FOR THROUGH HOLE REFLOW /PIN-IN-PASTE

2-2842238-0 AS SHOWN

44	50.85	52.65	50	5-2842238-0
38	44.85	46.65	44	4-2842238-4
34	40.85	42.65	40	4-2842238-0
28	34.85	36.65	34	3-2842238-4
24	30.85	32.65	30	3-2842238-0
20	26.85	28.65	26	2-2842238-6
18	24.85	26.65	24	2-2842238-4
14	20.85	22.65	20	2-2842238-0
12	18.85	20.65	18	1-2842238-8
10	16.85	18.65	16	1-2842238-6
8	14.85	16.65	14	1-2842238-4
DIM "G"	DIM "F"	DIM "E"	POS.	TE PN.

DIMENSIONS:		TOLERANCES UNLESS OTHERWISE SPECIFIED:		DWN 12NOV2019	
mm		0 PLC	±	CHK ANKIT YADAV	25NOV2019
		1 PLC	±	CHK KARTHIK JK	27NOV2019
		2 PLC	±0.25	APVD PRASHANTH S.	27NOV2019
		3 PLC	±	PRODUCT SPEC	108-64040
		4 PLC	±	APPLICATION SPEC	114-32259
		ANGLES	±2°	WEIGHT	-
		FINISH	-	CUSTOMER DRAWING	-

CONTACT PIN	2
HOUSING	1
DESCRIPTION	ITEM NO.

TE Connectivity		RESTRICTED TO	
NAME		-	
AMPMODU 2mm SHROUDED HEADER, DUAL ROW, VERTICAL TH. 0.76 Au, TUBE		-	
SIZE	CAGE CODE	DRAWING NO	RESTRICTED TO
A2	00779	C-2842238	-
SCALE 5:1		SHEET 1 OF 1	REV A1

单击下面可查看定价，库存，交付和生命周期等信息

[>>TE Connectivity\(泰科\)](#)