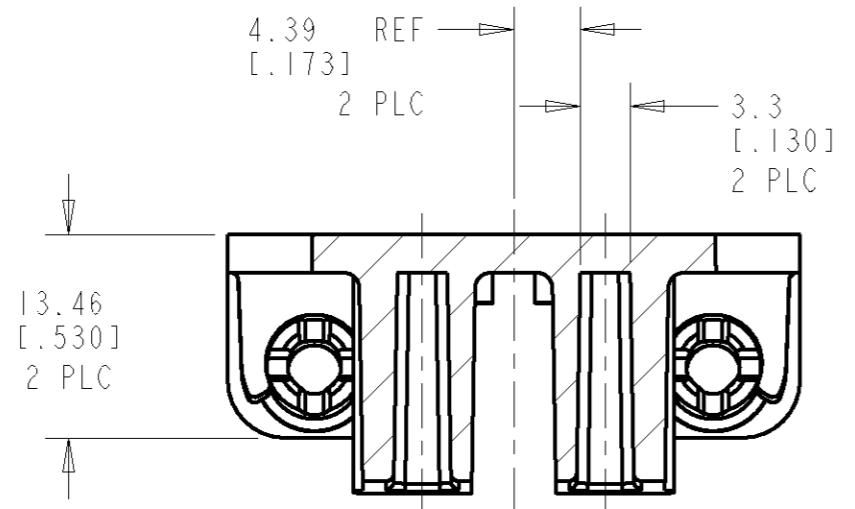
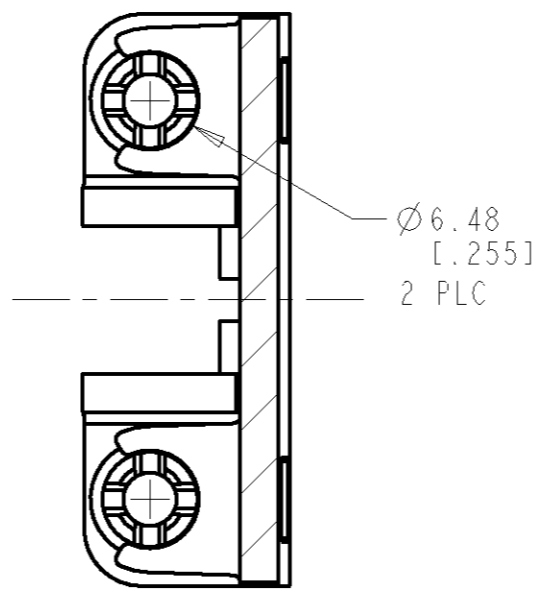


THIS DRAWING IS UNPUBLISHED. RELEASED FOR PUBLICATION .19  
 © COPYRIGHT 19 BY AMP INCORPORATED. ALL RIGHTS RESERVED.

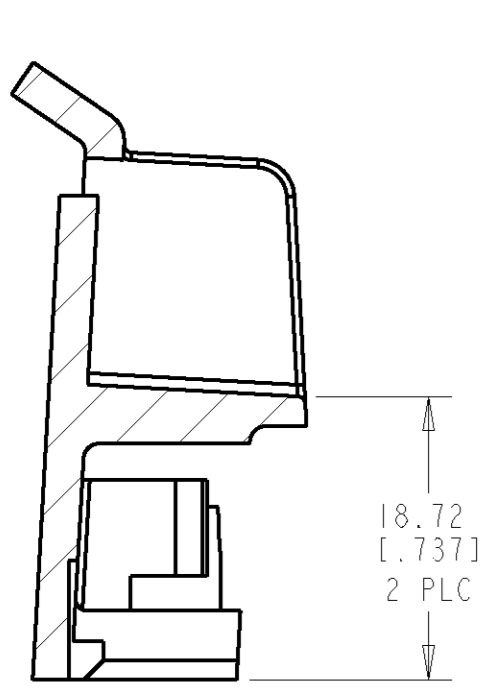
LOC	DIST	REVISIONS					
AD	14	P	LTR	DESCRIPTION	DATE	DWN	APVD
		0		RELEASED	05MAY98	AV	VR
		A		REVISED PER EC OG51 0000 98	19MAY98	AV	VR
		A1		REVISED PER ECO-09-027197	10DEC09	KK	AEG



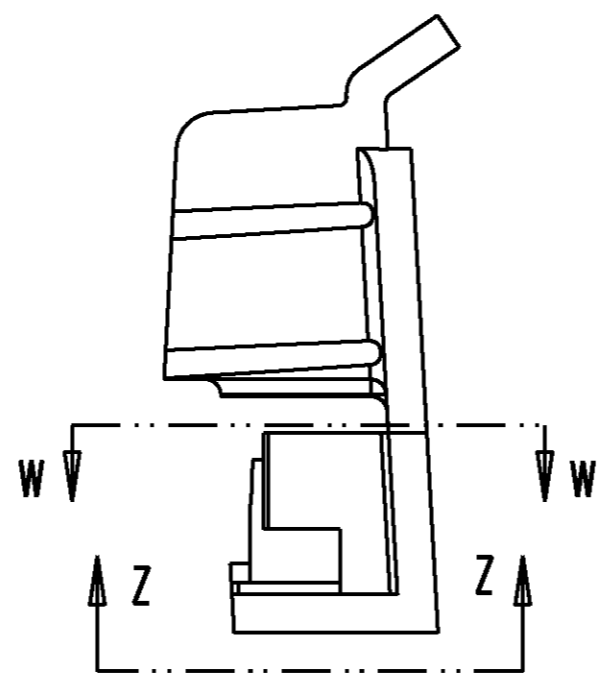
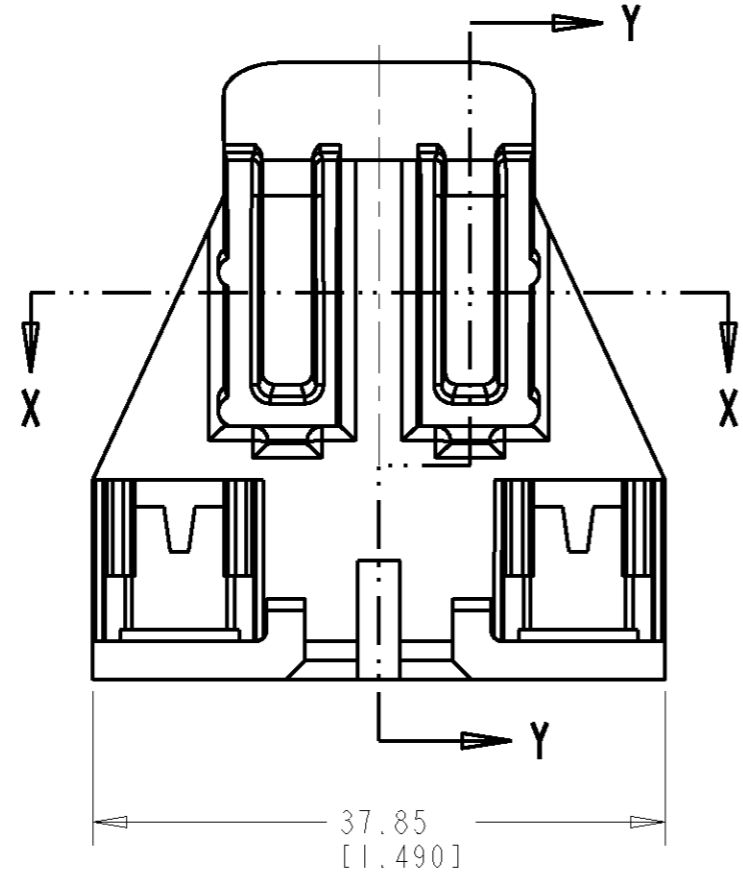
SECTION X-X



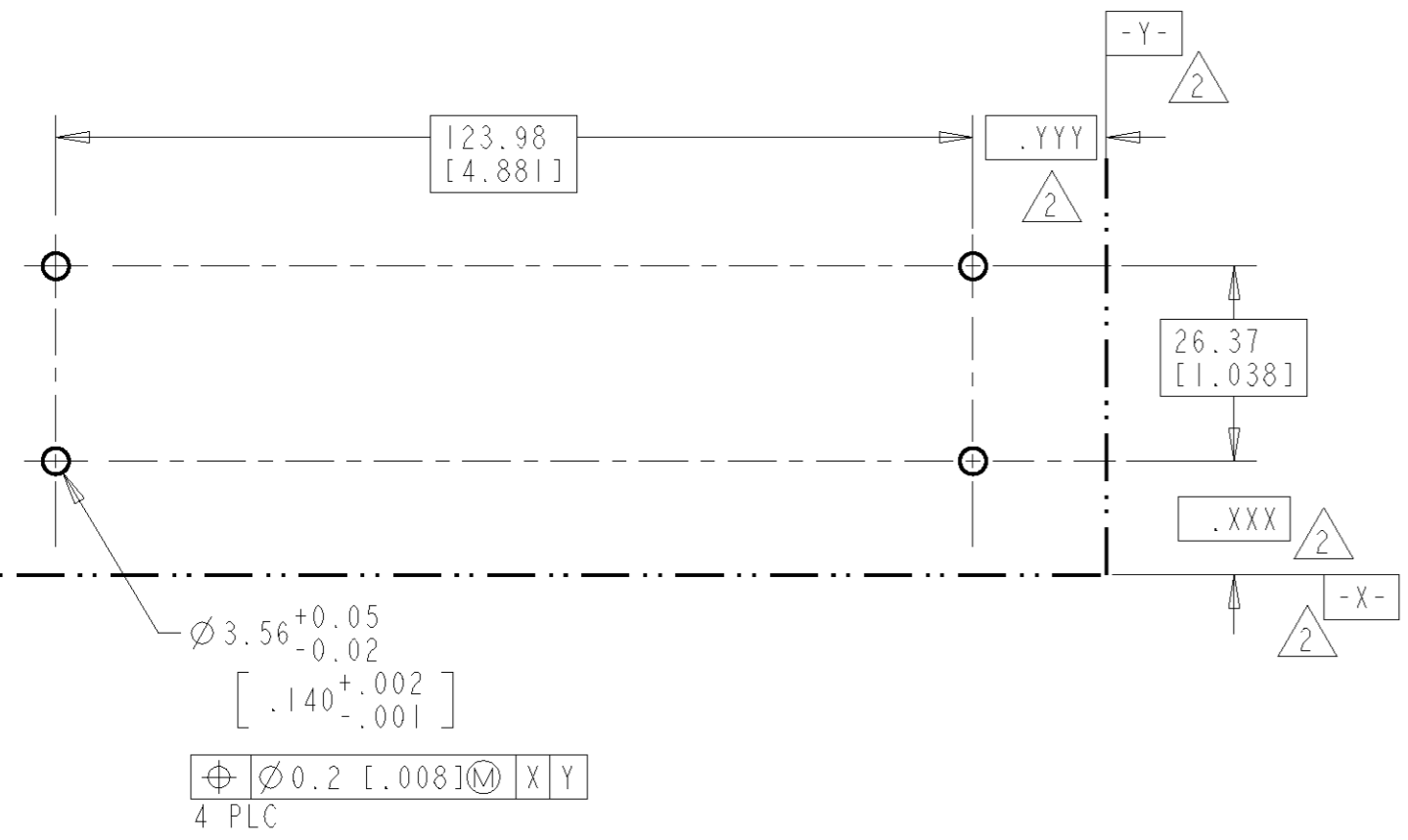
SECTION W-W



SECTION Y-Y

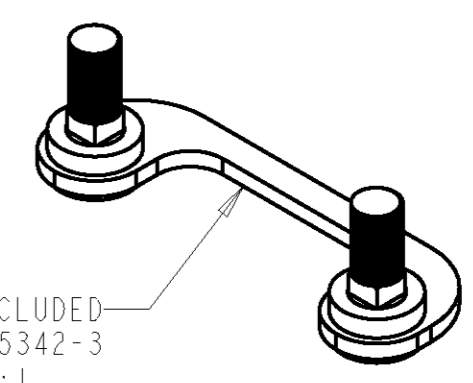
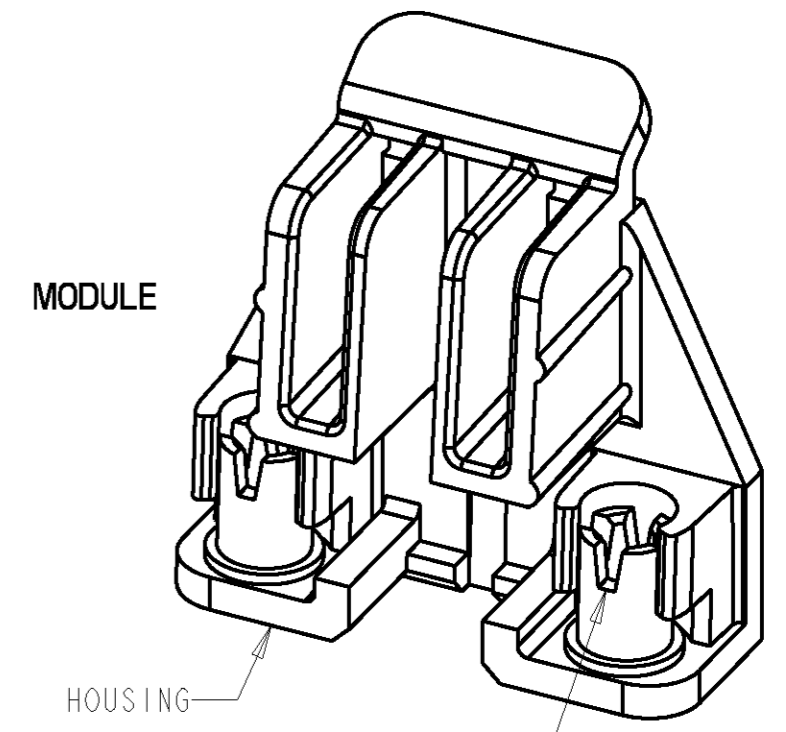


VIEW Z-Z



RECOMMENDED PC BOARD LAYOUT  
 RECOMMENDED THICKNESS 1.57±0.15[.062±.006]  
 SCALE 1:1

- 1 RETENTION MODULE: POLYCARBONATE, BLACK, UL 94-V0 RATED; SLOTTED CAPTIVE FASTENER: BRASS-COPPER ALLOY.
- 2 DATUM AND BASIC DIMENSION ESTABLISHED BY CUSTOMER.
- 3. BULK PACKAGED IN PARTITIONED BOXES.
- 4 KIT CONSISTS OF 2 MODULES, 2 MODULES ARE REQUIRED FOR ONE PROCESSOR.
- 5 CONSISTS OF ONLY ONE MODULE, 2 MODULES ARE REQUIRED FOR ONE PROCESSOR.
- 6 OBSOLETE PARTS: OBSOLETE CIS STREAMLINING PER D.RENAUD/D.SINISI



DESCRIPTION	PART NO
2 MODULES WITH FASTENERS AND 2 STUD BRIDGES	4 145342-3
1 MODULE WITH FASTENERS	5 145342-2
2 MODULES WITH FASTENERS	4 145342-1

DIMENSIONS:		TOLERANCES UNLESS OTHERWISE SPECIFIED:		DWN		AMP Incorporated	
mm [INCH]				A. VASBINDER	05MAY98	Harrisburg, PA 17105-3608	
0 PLC	±	1 PLC	±	CHK	A. VASBINDER	NAME	
2 PLC	±	3 PLC	±0.13[.005]	APVD	V. RUMINSKI	RETENTION MODULE KIT WITH CAPTIVE FASTENERS	
4 PLC	±	ANGLES	±1°	PRODUCT SPEC		SIZE	CAGE CODE
MATERIAL	1	FINISH		APPLICATION SPEC		A2	00779
				WEIGHT		DRAWING NO	C-145342
				CUSTOMER DRAWING		RESTRICTED TO	
						SCALE	2:1
						SHEET	1 OF 1
						REV	A1

单击下面可查看定价，库存，交付和生命周期等信息

[>>TE Connectivity\(泰科\)](#)