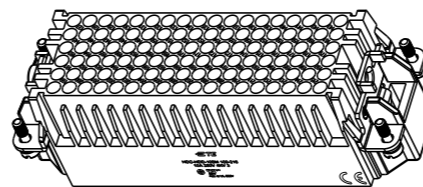
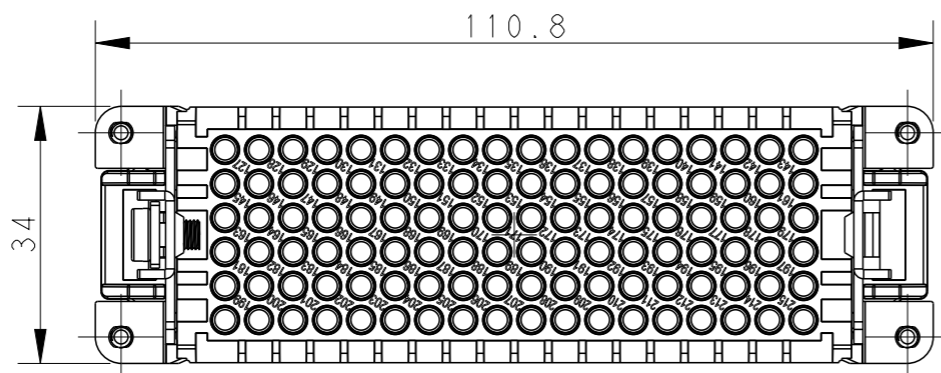


THIS DRAWING IS UNPUBLISHED. RELEASED FOR PUBLICATION 20
© COPYRIGHT 20 BY - ALL RIGHTS RESERVED.

REVISIONS

| P | LTR | DESCRIPTION | DATE | DWN | APVD |
|----|-----|---------------|-----------|-----|------|
| A1 | | ECR-15-009224 | 23JUN2015 | DL | CW |
| B | | ECR-15-013292 | 24SEP2015 | DL | CW |
| C | | ECR-21-105887 | 26JUL2021 | BS | CW |
| D | | ECR-22-150866 | 27SEP2022 | DL | CW |



SCALE 1:2

NOTES:

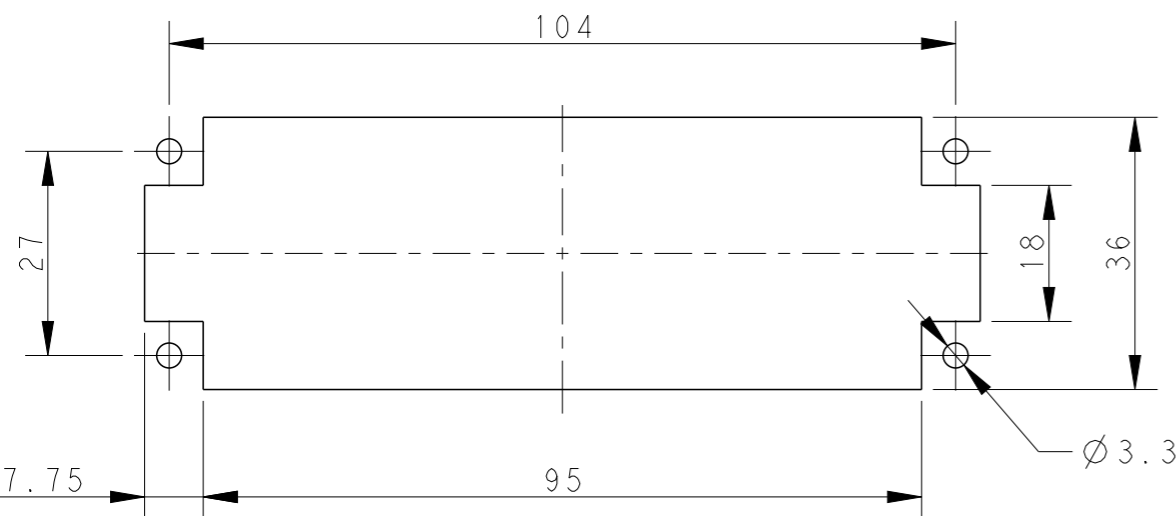
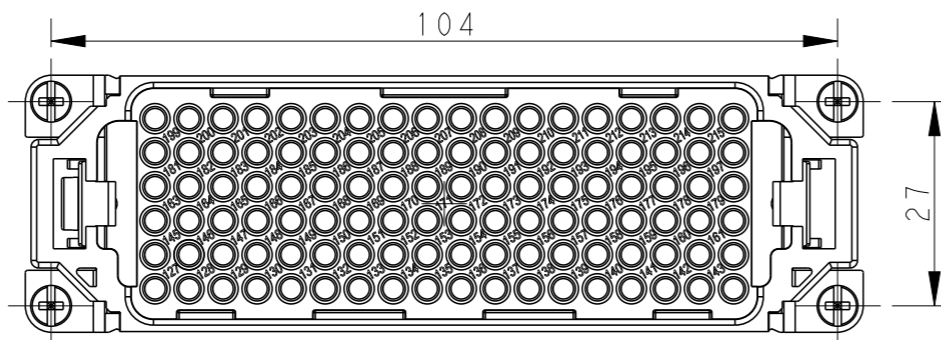
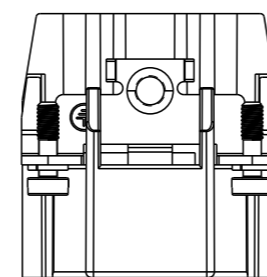
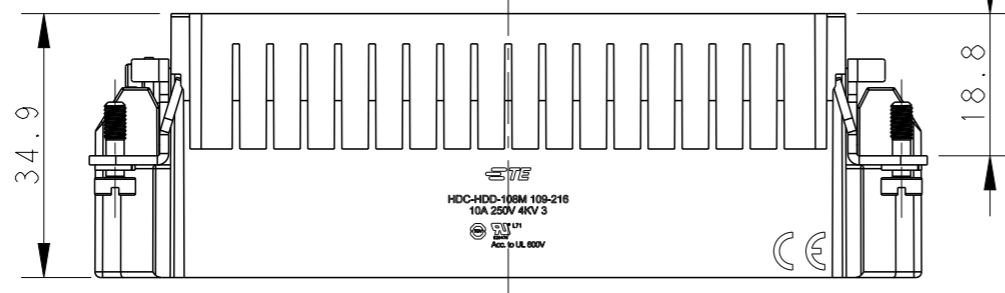
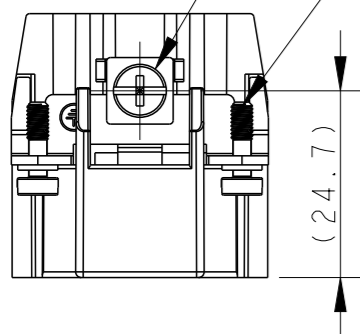
- TECHNICAL CHARACTERISTICS:
INSULATION MATERIAL: PC
RATED VOLTAGE: 250 V
RATED CURRENT: 10 A
INSULATION RESISTANCE: $\geq 400M\Omega$
RATED IMPULSE VOLTAGE: 4 KV
POLLUTION DEGREE: 3
FLAMMABILITY: UL94V-0
MATING CYCLES: 500 CYCLES
WIRE RANGE: 0.14-2.5 mm² (26-14 AWG)
CONTACT TYPE: CRIMP CONTACT
- CONTACT NEED TO BE ORDERED SEPARATELY.
(ORDER No. REFER TO DRAWING:T20200X10XX000)

注释:

- 技术参数:
绝缘材料: PC
额定电压: 250V
额定电流: 10A
绝缘电阻: $\geq 400M\Omega$
额定脉冲电压: 4 KV
污染等级: 3
阻燃等级: UL94V-0
插拔次数: 500次
接线范围: 0.14-2.5 mm² (26-14 AWG)
接线类型: 冷压接
- 端子需要单独订购。
(订货号参考图面: T20200X10XX000)

M4 SCREW
RECOMMENDED TIGHTENING TORQUE 1.2Nm

4 X M3 SCREW
RECOMMENDED TIGHTENING TORQUE 0.5Nm



PANEL CUT OUT FOR INSERTS FOR USING WITHOUT HOODS/HOUSINGS

THIS DRAWING IS A CONTROLLED DOCUMENT.

| DIMENSIONS: | TOLERANCES UNLESS OTHERWISE SPECIFIED: |
|-------------|--|
| mm | |
| | 0 PLC ±- |
| | 1 PLC ±- |
| | 2 PLC ±- |
| | 3 PLC ±- |
| | 4 PLC ±- |
| | ANGLES ±- |
| MATERIAL | FINISH |
| - | - |
| - | - |

| | | |
|------------------|------------|-----------|
| DWN | DAVID LI | 18MAR2015 |
| CHK | CHRIS WANG | 18MAR2015 |
| APVD | XU XIANG | 18MAR2015 |
| PRODUCT SPEC | 108-137043 | |
| APPLICATION SPEC | 114-137043 | |
| WEIGHT | - | |
| CUSTOMER DRAWING | | |

| | |
|----------------------|-----------------|
| HDC-HDD-108M 109-216 | T2032162101-000 |
| DESCRIPTION | PART NUMBER |

| | | | |
|-----------------|-----------|----------------------|---------------|
| TE Connectivity | | NAME | |
| | | HDC-HDD-108M 109-216 | |
| SIZE | CAGE CODE | DRAWING NO | RESTRICTED TO |
| A3 | - | ©-T2032162101000 | |
| SCALE | | SHEET | REV |
| 1:1 | | 1 OF 1 | D |

单击下面可查看定价，库存，交付和生命周期等信息

[>>TE Connectivity\(泰科\)](#)