

THIS DRAWING IS UNPUBLISHED.

RELEASED FOR PUBLICATION

2006

© COPYRIGHT 2006 BY -

ALL RIGHTS RESERVED.

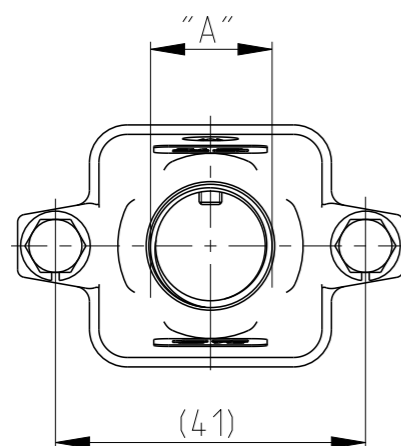
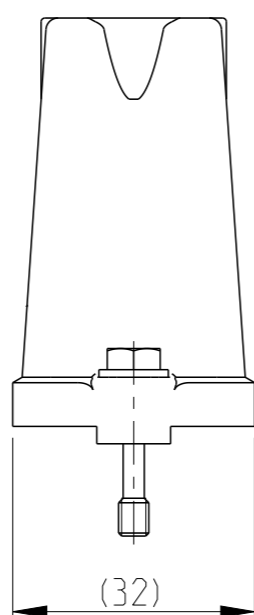
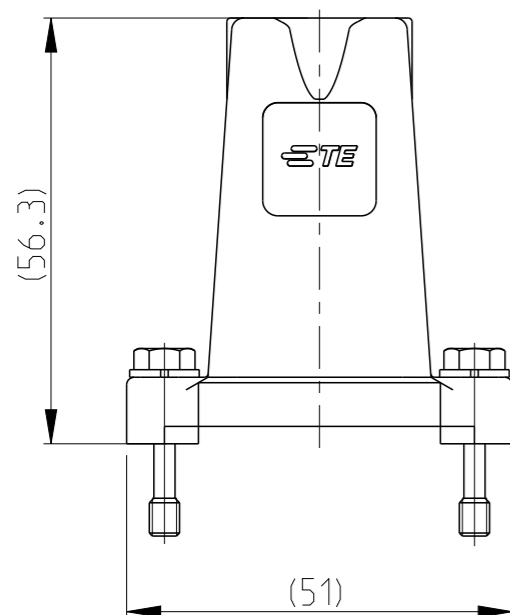
REVISIONS

P	LTR	DESCRIPTION	DATE	DWN	APVD
A3		ECR-09-023155	22OCT2009	VG	AR
A4		ECR-10-009092	24MAR2010	RO	BR
B		ECR-16-001855	29FEB2016	GCM	JB
C		ECR-16-014579	26APR2017	GCM	JB

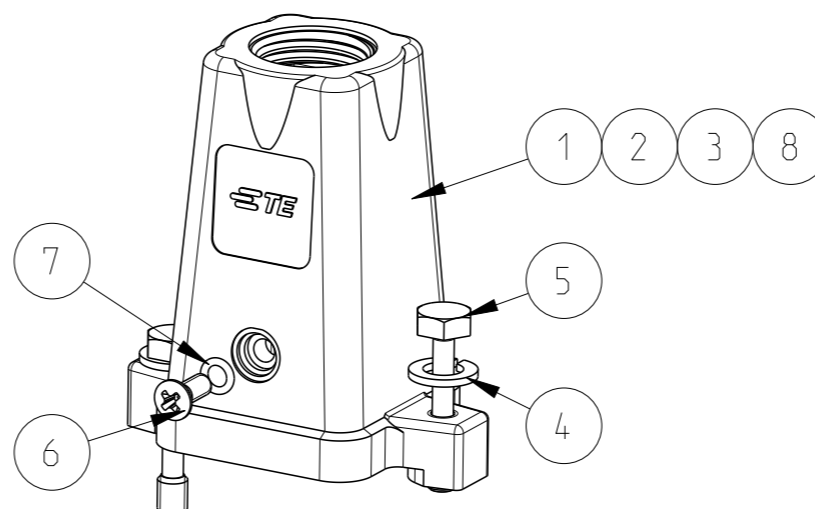
Notes

- 1 SUITABLE HOUSINGS: SERIES HIP, SIZE 1
CUSTOMER DRAWING 1102603, 1102602
- 2 STANDARDS:
DIN EN 61984, DIN EN 60664-1
- 3 TOOL:
PHILLIPS SCREWDRIVER PH1
HEXAGON SCREWDRIVER 7mm
- 4 VARNISH ON INSIDE AREA NOT
NECESSARY
- 5 PACKAGING:
10 SETS IN A CARTON, PRE-MOUNTED

0-1106408-4	HIP-K.3/4.ST-N
0-1106408-3	HIP-K.3/4.STO.1.M20.G
0-1106408-2	HIP-K.3/4.STO.1.M16.G
0-1106408-1	HIP.3/4.STO.1.M16.G
PART NO.	ORDERING TEXT



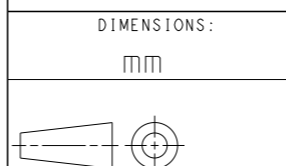
PN 0-1 AS SHOWN



QTY	PN	QTY	PN	DESCRIPTION	Dim.	MATERIAL	COLOR/SURFACE	NOTE	ITEM
1	-	-	-	CONNECTOR HOUSING	-	ALU ALLOY	BLACK	SERIES HIP-K, SIZE 1, W/O LOGO AND THREAD	8
1	1	1	1	O - RING	-	NBR	BLACK	3.0x1.0	7
1	1	1	1	SCREW COUNTERSUNK RAISED HEAD	-	STAINL. STEEL	V2A	M3x8 PH1 DIN EN ISO 7047	6
2	2	2	2	SCREW, HEXAGON BOLT	-	STAINL. STEEL	BLANK	M4x22 DIN EN ISO 7964, REDUCED SHUNK	5
2	2	2	2	WASHER, PLAIN	-	STAINL. STEEL	BLANK	A4, DIN EN ISO 7989. 200HV	4
-	1	-	-	CONNECTOR HOUSING	M20	ALU ALLOY	BLACK	SERIES HIP-K	3
-	-	1	-	CONNECTOR HOUSING	M16	ALU ALLOY	BLACK	SERIES HIP-K	2
-	-	-	1	CONNECTOR HOUSING	M16	ALU ALLOY	GREY	SERIES HIP	1
0-4	0-3	0-2	0-1		"A"				
PN/QTY				DESCRIPTION	Dim.	MATERIAL	COLOR/SURFACE	NOTE	ITEM

PARTS LIST (PER ONE UNIT)

THIS DRAWING IS A CONTROLLED DOCUMENT.



MATERIAL

DIMENSIONS:		TOLERANCES UNLESS OTHERWISE SPECIFIED:	
mm			
0 PLC	±		
1 PLC	±		
2 PLC	±		
3 PLC	±		
4 PLC	±		
ANGLES		±1°	
FINISH			

DWN	V.GLUMM	13AUG2009
CHK	H.Braun	13AUG2009
APVD	T.Schnurpfeil	13AUG2009
PRODUCT SPEC	-	-
APPLICATION SPEC	-	-
WEIGHT	-	-
CUSTOMER DRAWING		



NAME
CONNECTOR HOUSING ASS'Y, TOP ENTRY
SERIES HIP, SIZE 1, M16 / M20
METRIC

SIZE CAGE CODE DRAWING NO RESTRICTED TO

A3 00779 C-1106408

SCALE 1:1 SHEET 1 OF 1 REV C

单击下面可查看定价，库存，交付和生命周期等信息

[>>TE Connectivity\(泰科\)](#)