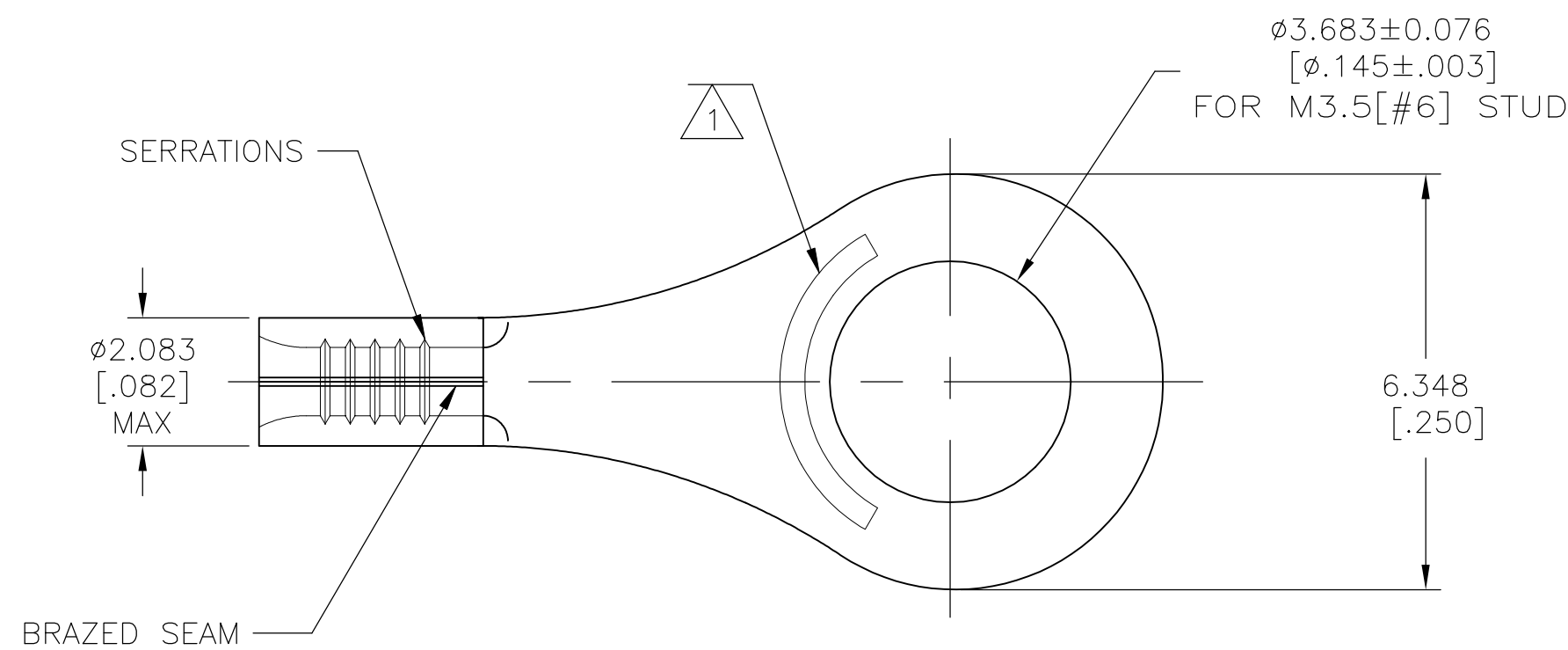
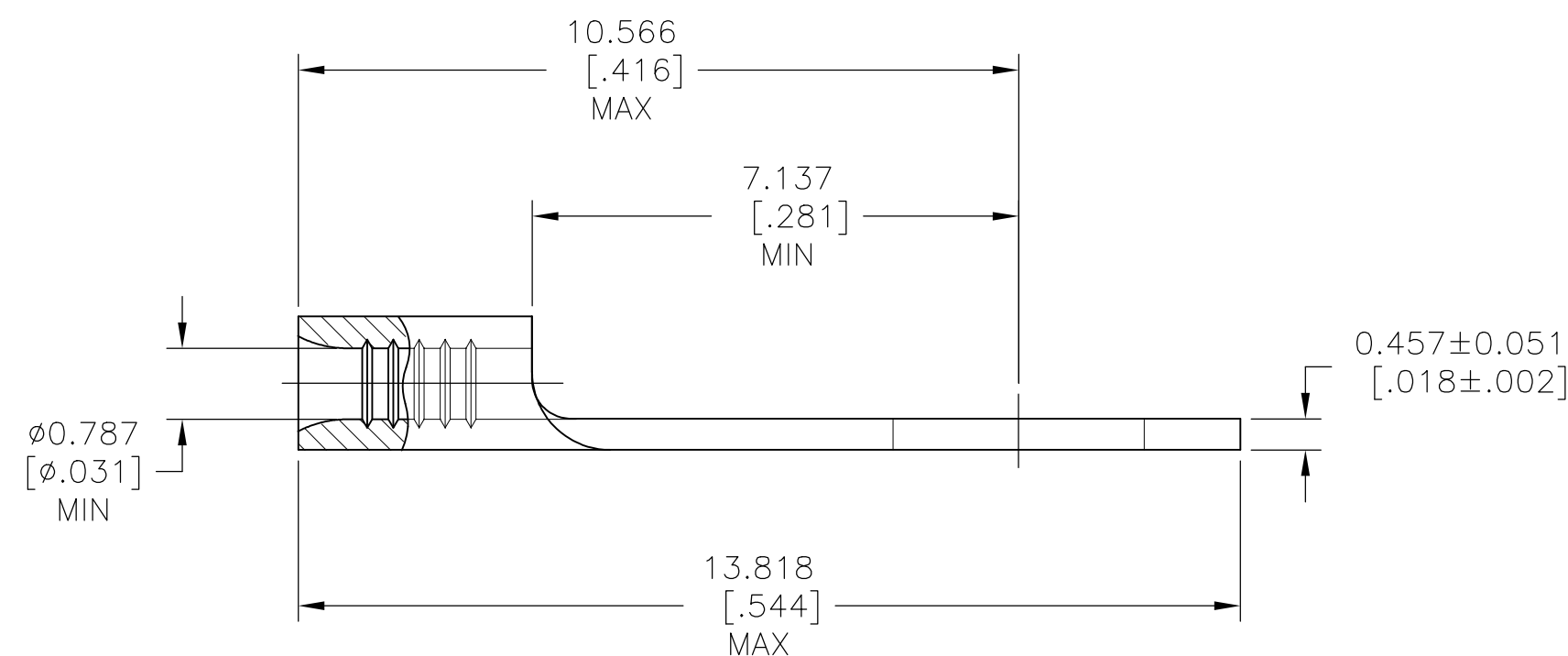


THIS DRAWING IS UNPUBLISHED. RELEASED FOR PUBLICATION  
 © COPYRIGHT - By - ALL RIGHTS RESERVED.

REVISIONS					
P	LTR	DESCRIPTION	DATE	DWN	APVD
D1		REVISED PER ECO-12-001469	24JAN12	KH	DR
D2		REVISED PER ECO-17-008806	21FEB2018	RS	DR



**AMP**  
 WIRE RANGE  
 26-22 AWG  
 SOLID OR STRANDED



- 1 STAMP AMP APPROX AS SHOWN
- 2 COPPER PER ASTM B152, ANNEALED
- 3 TIN PLATE 0.00254 (0.000100) MIN EXT THK PER ASTM B545
- 4 NOTE DELETED
- 5 NOTE DELETED

5000	170°C[338°F]	331401 ON TAPE	3	1-331401-1
1000	170°C[338°F]	LOOSE PIECE	3	331401
QUANTITY	MAX OPERATING TEMPERATURE	PACKAGE TYPE	FINISH	PART NO

AMP INCORPORATED CUSTOMER SERVICE SYSTEMS		MAX RECOMMENDED OPERATING TEMPERATURE: SEE TABLE
FOR ADDITIONAL PRODUCT INFORMATION OR COPIES OF DRAWINGS AND TECHNICAL DOCUMENTS	PRODUCT INFORMATION CENTER 1-800-522-6752	VOLTAGE RATING: NOT APPLICABLE
FOR APPLICATION TOOLING INFORMATION	TOOLING ASSISTANCE CENTER 1-800-722-1111	WIRE CROSS SECTIONAL AREA RANGE: 0.1-0.41mm <sup>2</sup> [202-810] CIR MILS SOLID OR STRANDED
FOR ORDER ENTRY	1-800-526-5142	THIS DRAWING IS A CONTROLLED DOCUMENT FOR AMP INCORPORATED. IT IS SUBJECT TO CHANGE AND THE CONTROLLING ENGINEERING ORGANIZATION SHOULD BE CONTACTED FOR THE LATEST REVISION.

THIS DRAWING IS A CONTROLLED DOCUMENT.		DWN TA BRINKMAN 3-9-93	TE Connectivity Ltd.	
DIMENSIONS: mm [INCHES]		CHK DA PATTERSON 3-9-93	NAME	
TOLERANCES UNLESS OTHERWISE SPECIFIED:		APVD DE MILLER 3-9-93	PRODUCT SPEC	
0 PLC ± -		APPLICATION SPEC		
1 PLC ± -		WEIGHT		
2 PLC ± -		CUSTOMER DRAWING		
3 PLC ± 0.127[.005]		SCALE 10:1		
4 PLC ± -		SHEET 1 of 1		
ANGLES ± -		REV D2		
FINISH SEE TABLE		RESTRICTED TO		
MATERIAL 2		SIZE CAGE CODE DRAWING NO A2 00779 C-331401		

单击下面可查看定价，库存，交付和生命周期等信息

[>>TE Connectivity\(泰科\)](#)