

4

3

2

1

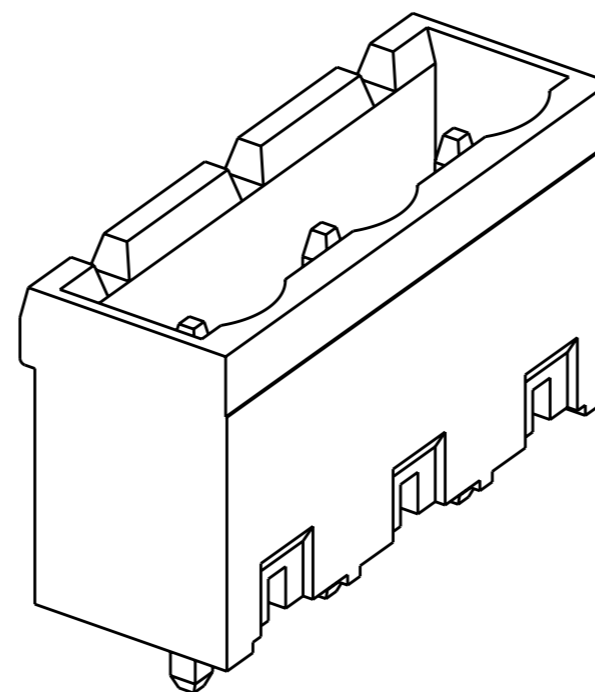
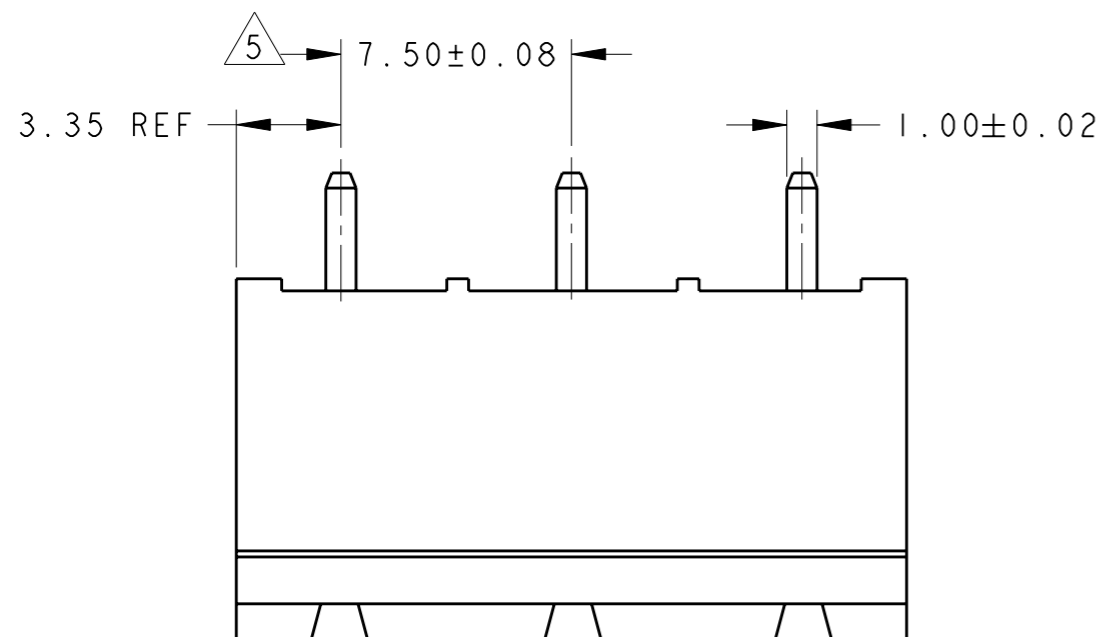
THIS DRAWING IS UNPUBLISHED. RELEASED FOR PUBLICATION 20

© COPYRIGHT 20 Tyco Electronics AMP GmbH ALL RIGHTS RESERVED.

LOC FT DIST 0

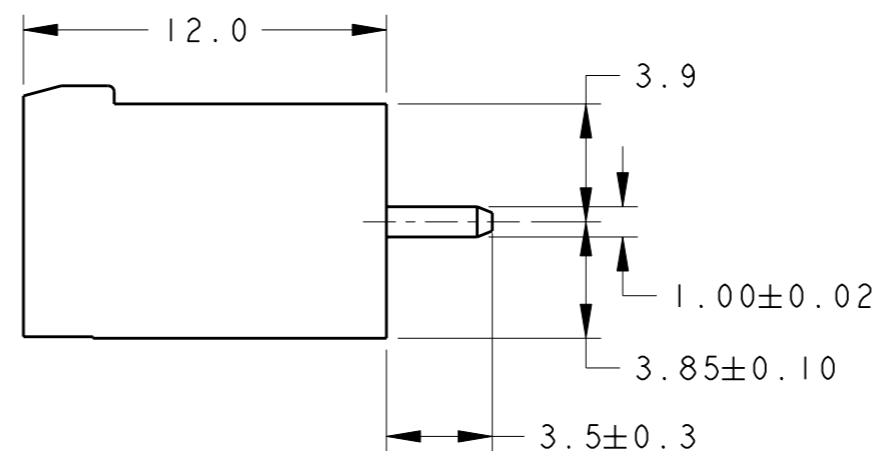
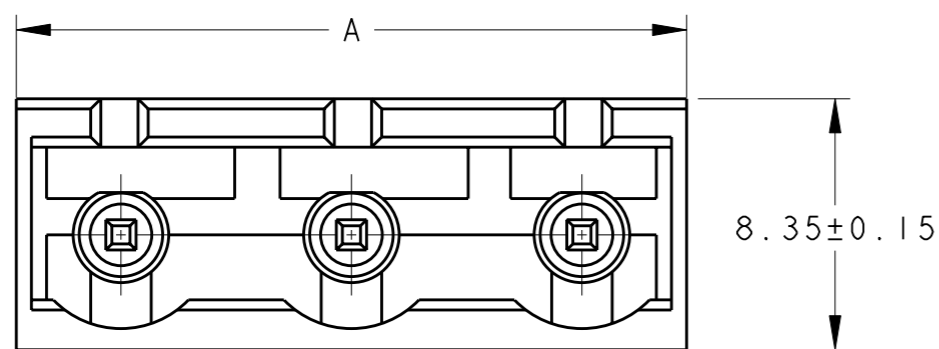
REVISIONS

| P | LTR | DESCRIPTION               | DATE      | DWN | APVD |
|---|-----|---------------------------|-----------|-----|------|
|   | C1  | REVISED PER ECO-12-007964 | 02MAY2012 | KH  | MS   |



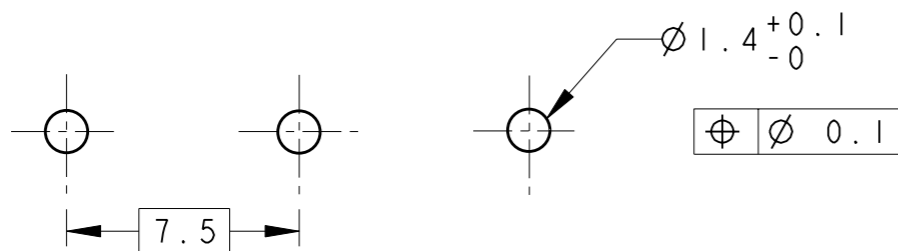
282964-3 AS SHOWN

- 1 MATERIALS AND FINISH  
HOUSING: PA 6-6, UL 94-V0, COLOR GREEN.  
TERMINAL: COPPER ALLOY, TIN PLATED.
- 2 SUITABLE FOR 1,6-2,4mm PC BOARD THICKNESS.
- 3 RECOGNIZED UNDER THE COMPONENT PROGRAM OF UNDERWRITERS LABORATORIES INC. FILE N° E60677.
- 4 IMQ CERTIFICATE WITH SURVEILLANCE IN CONFORMITY WITH IEC 998-1/998-2-1.
- 5 NOT CUMULATIVE TOLERANCE.



| 89.20  | 12         | 1-282964-2  |
|--------|------------|-------------|
| 81.70  | 11         | 1-282964-1  |
| 74.20  | 10         | 1-282964-0  |
| 66.70  | 9          | 282964-9    |
| 59.20  | 8          | 282964-8    |
| 51.70  | 7          | 282964-7    |
| 44.20  | 6          | 282964-6    |
| 36.70  | 5          | 282964-5    |
| 29.20  | 4          | 282964-4    |
| 21.70  | 3          | 282964-3    |
| 14.20  | 2          | 282964-2    |
| DIM. A | N° OF POS. | PART NUMBER |

RECOMMENDED PC BOARD LAYOUT



|  |        |                             |                                 |                 |
|--|--------|-----------------------------|---------------------------------|-----------------|
| THIS DRAWING IS A CONTROLLED DOCUMENT. |        | DWN E. ZANOLINI 14DEC2001   | TE Connectivity                 |                 |
| DIMENSIONS: mm                         |        | CHK D. BIEVENOUR 14DEC2001  |                                 |                 |
| TOLERANCES UNLESS OTHERWISE SPECIFIED: |        | APVD D. BIEVENOUR 14DEC2001 | NAME                            |                 |
| 0 PLC ±.3                              |        | PRODUCT SPEC 108-20166      | TERMINAL BLOCK, HEADER ASSEMBLY |                 |
| 1 PLC ±.3                              |        | APPLICATION SPEC 114-20079  | 180 DEGREE CLOSED ENDS          |                 |
| 2 PLC ±.25                             |        | WEIGHT -                    | SIZE A3                         | CAGE CODE 00779 |
| 3 PLC ±.                               |        | CUSTOMER DRAWING            | DRAWING NO C-282964             | RESTRICTED TO - |
| 4 PLC ±.                               |        |                             | SCALE 4:1                       | SHEET 1 OF 1    |
| ANGLES ±2                              |        |                             |                                 |                 |
| MATERIAL                               | FINISH |                             |                                 |                 |

单击下面可查看定价，库存，交付和生命周期等信息

[>>TE Connectivity\(泰科\)](#)