

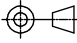


# CODE 76 - HEAT SHRINK BOOT BACKSHELL

225M516-19C-D

SERIES \_\_\_\_\_  
 SHELL SIZE (TABLE 1) \_\_\_\_\_  
 MATERIAL \_\_\_\_\_  
 REFER TO CH00-0250-004  
 FINISH \_\_\_\_\_  
 REFER TO CH00-0250-004  
 MODIFICATION CODE \_\_\_\_\_  
 REFER TO CH00-0250-004 (2)

## NOTES:

1. THIS PRODUCT IS DESIGNED TO TERMINATE A HEAT SHRINKABLE LIPPED BOOT TO A CONNECTOR.
- (2) FOR ADDITIONAL DIMENSIONS, ORDERING INFORMATION AND MODIFICATIONS, SEE CH00-0250-004.
3. BACKSHELL TO BE PERMANENTLY MARKED/BAGGED AND LABELLED WITH CODE IDENTIFICATION NUMBER AND PART NUMBER. (e.g. 06090-225M512-19B).
- (4) KNURL INSIDE BOOT GROOVE MAY BE SUPPLIED AT MANUFACTURER'S OPTION.
5. BACKSHELL MATES TO BS9522 N0001 PATT 603, BS9522 F0017 PATT 105, DEF. STAN. 59-35.

DRAWN	K.SHEPPARD	DATE	03/08/2015	 3RD ANGLE PROJECTION NOT TO SCALE	<b>TITLE:</b>  HEAT SHRINK BOOT BACKSHELL	 Polanco 
CHECKED		DATE	03/08/2015			
APPROVED				UNLESS OTHERWISE SPECIFIED ALL DIMENSIONS IN MILLIMETRES GENERAL TOL LINEAR +/-0.25MM ANGULAR +/- 1°	<b>ASSY USED ON:</b>  PATT 105 / PATT 603 / DEF-STAN 59-35	
APPROVED	H.SMITH	DATE	20/08/2015			
REVISIONS						
LTR	DESCRIPTION	DATE	APPROVED			
C	REVISED PER ECO-13-017258	11/04/2013	I.MYONG			
D	REVISED PER ECO-15-012000	20/08/2015	H.SMITH			
TE CAGE CODE: 06090 POLAMCO/TE CAGE CODE: U5792					TE CONNECTIVITY - POLAMCO LTD RESERVES THE RIGHT TO AMEND THIS DRAWING AND TO INDEP... SHOULD IN THEIR APPLICATION.	DRAWING NO: <b>225M5XX</b>
					DRAWING REV: <b>D</b>	SHT <b>1</b>

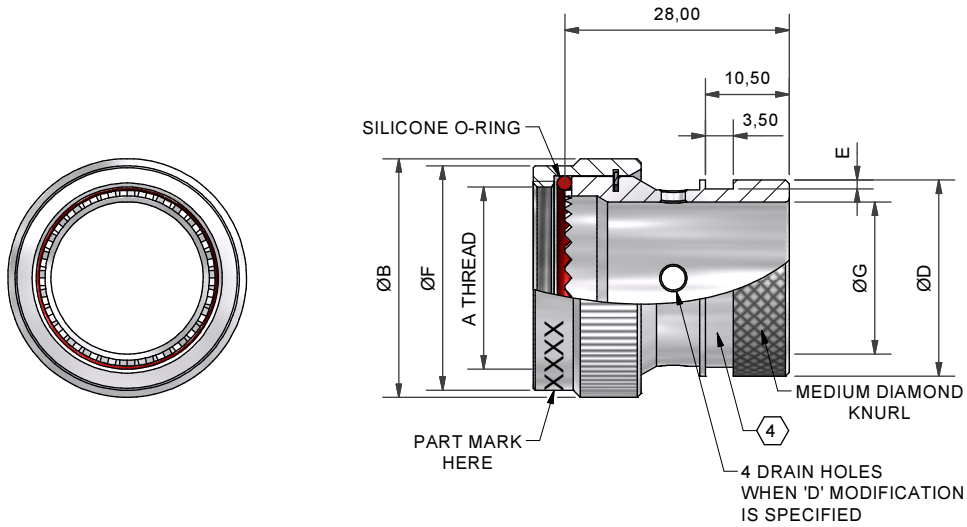
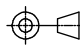


TABLE 1

BASE PART NUMBER	SHELL SIZE	A THREAD	ØB MAX	ØD +0,0/-0,5	E +0,20/-0,00	ØF MAX	ØG
225M508	08	7/16-28UNEF	17,3	13,5	1,12	15,0	7,2
225M510	10	9/16-24UNEF	20,3	15,5	1,12	18,0	9,8
225M512	12	11/16-24UNEF	23,8	19,5	1,12	21,5	13,5
225M514	14	13/16-20UNEF	26,8	21,5	1,12	24,5	15,9
225M516	16	15/16-20UNEF	29,8	24,5	1,12	28,0	19,0
225M518	18	1 1/16-18UNEF	33,3	26,5	1,12	31,0	21,4
225M520	20	1 3/16-18UNEF	36,3	31,0	1,75	34,0	24,6
225M522	22	1 5/16-18UNEF	39,8	34,5	1,75	37,0	27,8
225M524	24	1 7/16-18UNEF	42,8	36,5	1,75	40,5	31,0

DRAWN	K.SHEPPARD	DATE	03/08/2015	 3RD ANGLE PROJECTION NOT TO SCALE
CHECKED		DATE	03/08/2015	
APPROVED				
APPROVED	H.SMITH	DATE	20/08/2015	
UNLESS OTHERWISE SPECIFIED ALL DIMENSIONS IN MILLIMETRES GENERAL TOL LINEAR +/-0,25MM ANGULAR +/- 1°				

**TITLE:**  
HEAT SHRINK BOOT BACKSHELL

**ASSY USED ON:**  
PATT 105 / PATT 603 / DEF-STAN 59-35



REVISIONS			
LTR	DESCRIPTION	DATE	APPROVED
C	REVISED PER ECO-13-017258	11/04/2013	I.MYONG
D	REVISED PER ECO-15-012000	20/08/2015	H.SMITH

TE CONNECTIVITY - POLAMCO LTD RESERVES THE RIGHT TO AMEND THIS DRAWING AND THERE SHOULD BE NO DEPENDENCY ON THEIR APPLICATION.	DRAWING NO: <b>225M5XX</b>	DRAWING REV: <b>D</b>	SHT <b>2</b>
--	-------------------------------	--------------------------	-----------------

TE CAGE CODE: 06090  
POLAMCO/TE CAGE CODE: U5792

单击下面可查看定价，库存，交付和生命周期等信息

[>>TE Connectivity\(泰科\)](#)