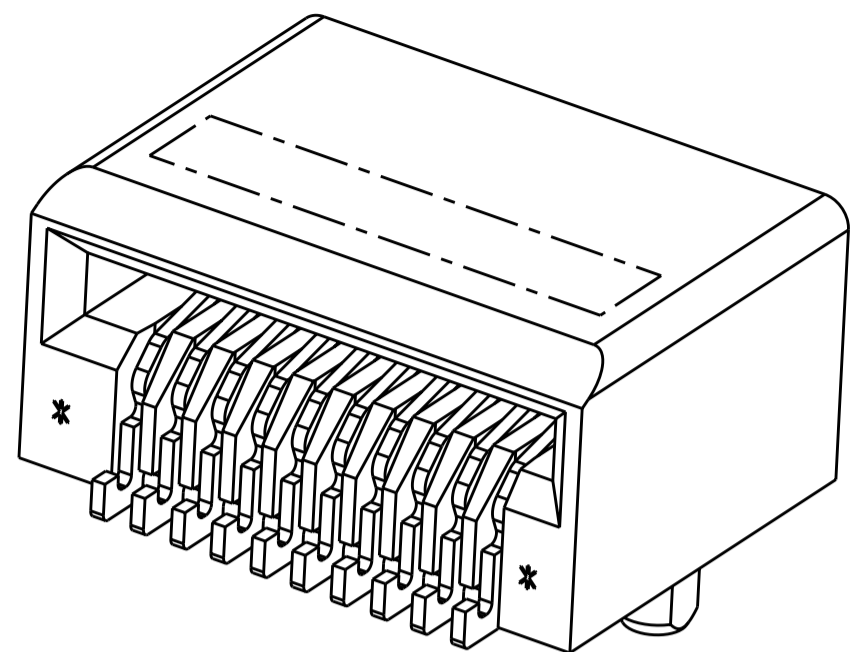
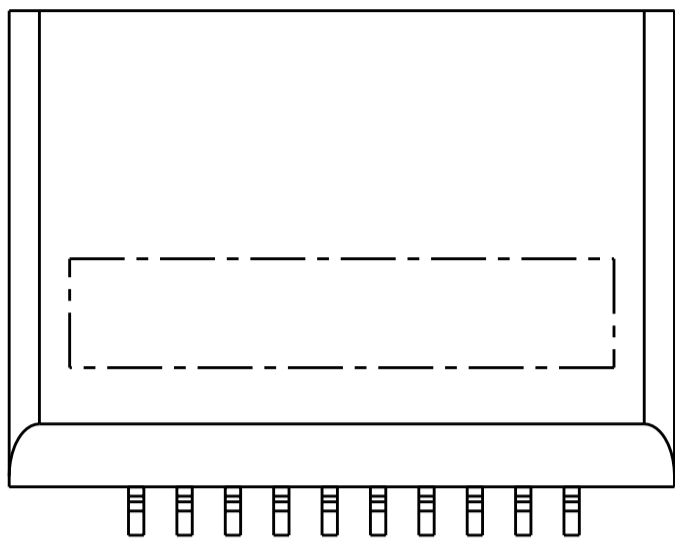


THIS DRAWING IS UNPUBLISHED. RELEASED FOR PUBLICATION 20
 © COPYRIGHT 20 BY - ALL RIGHTS RESERVED.

LOC		DIST		REVISIONS			
P	LTR	DESCRIPTION	DATE	DWN	APVD		
1		PRELIMINARY RELEASE	31OCT2011	TX	CW		
2		REVISED THE DRAWING	22MAR2012	TX	AC		

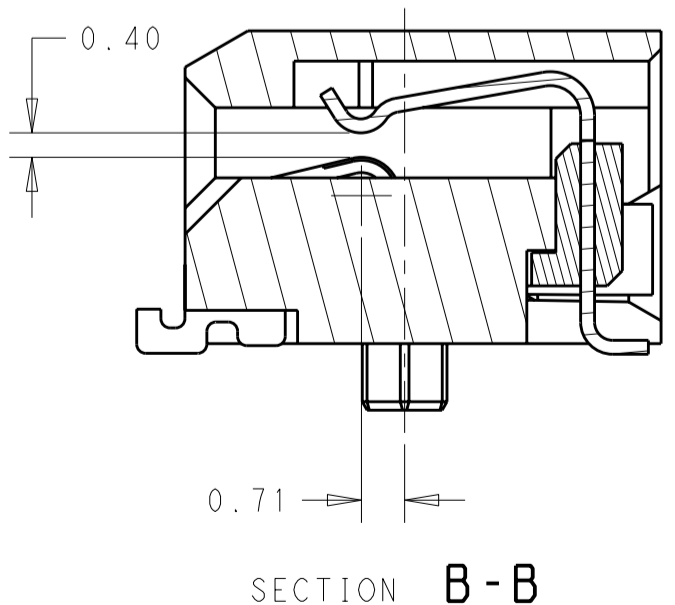
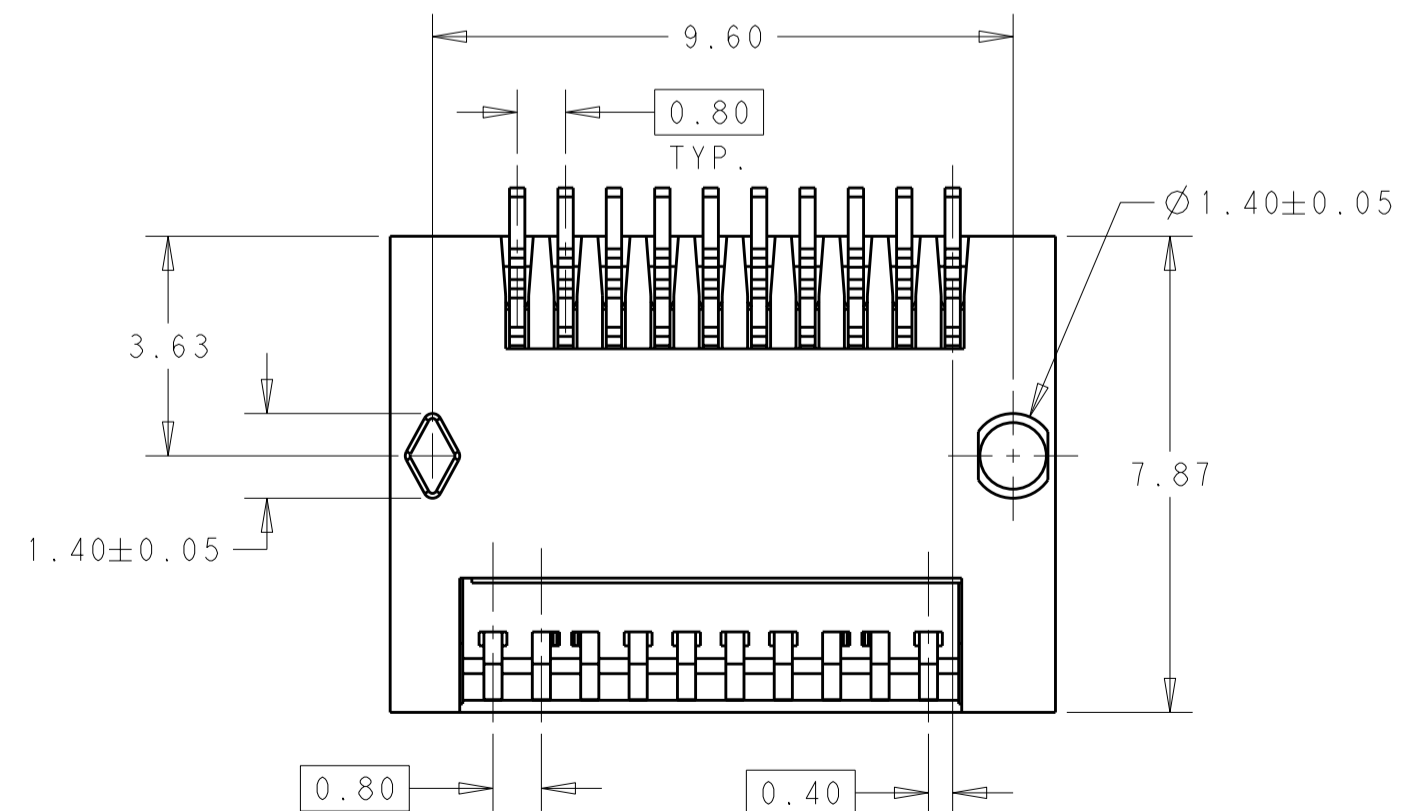
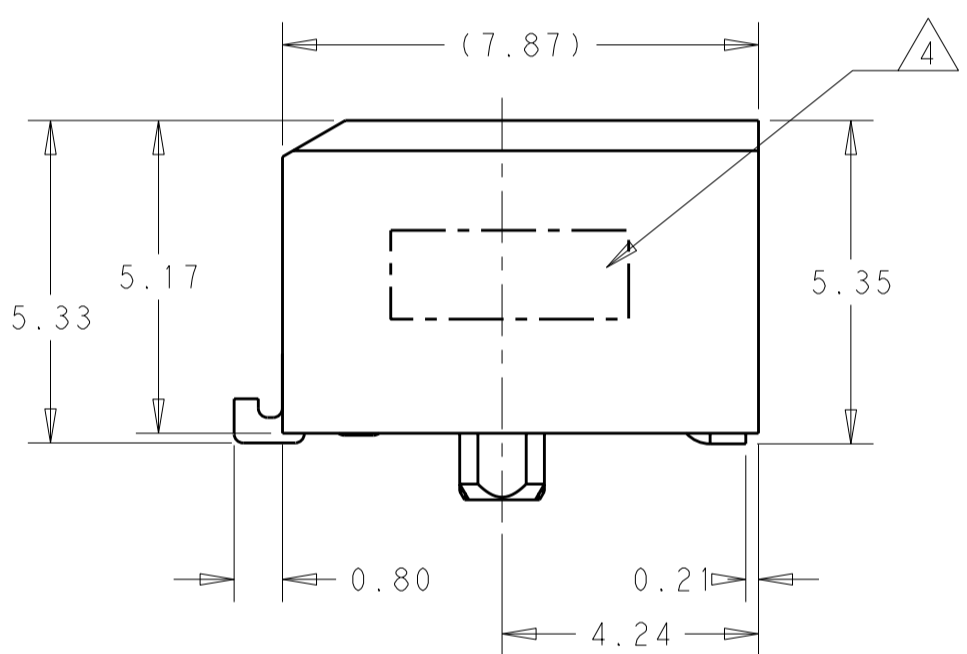
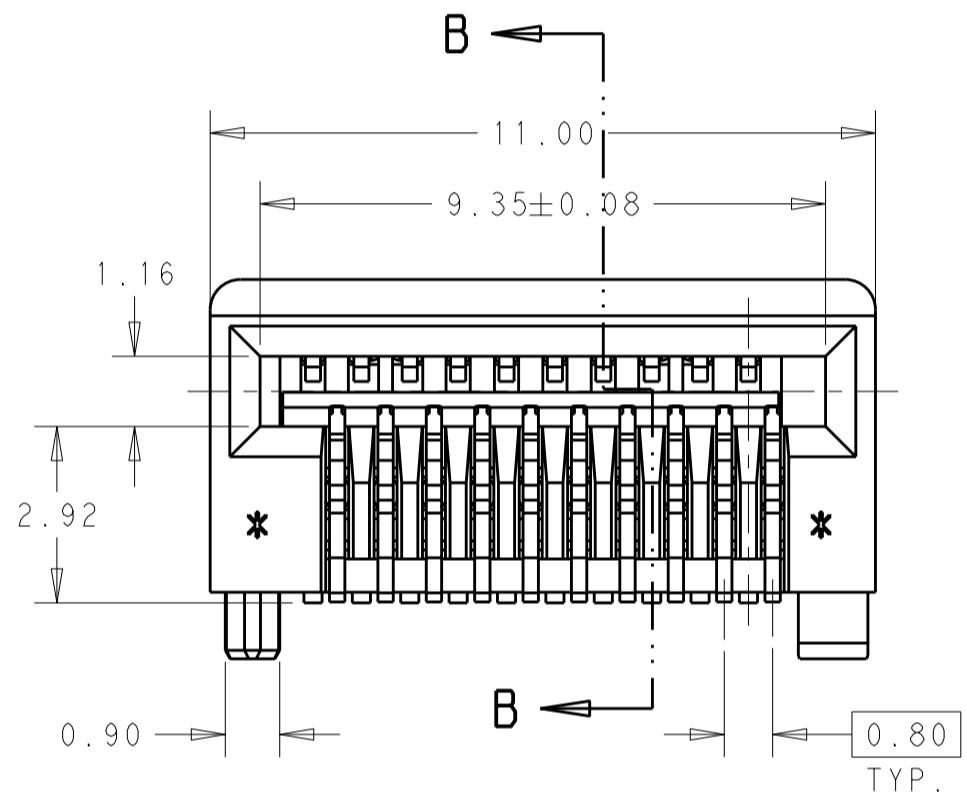


1 MATERIAL:
 CONTACT: COPPER ALLOY
 HOUSING: THERMOPLASTIC

2 FINISH:
 UNDERPLATING: 2.54um MIN NICKEL UNDERPLATING
 SOLDER AREA: GOLD FLASH OVER NICKEL
 CONTACT AREA: 0.76um MIN GOLD OVER NICKEL

3 FINISH:
 UNDERPLATING: 2.54um MIN NICKEL UNDERPLATING
 SOLDER AREA: GOLD FLASH OVER NICKEL
 CONTACT AREA: 0.08um MIN GOLD OVER 0.68 um PALLADIUM-NICKEL

4 DATE CODE MARKED IN THIS AREA.



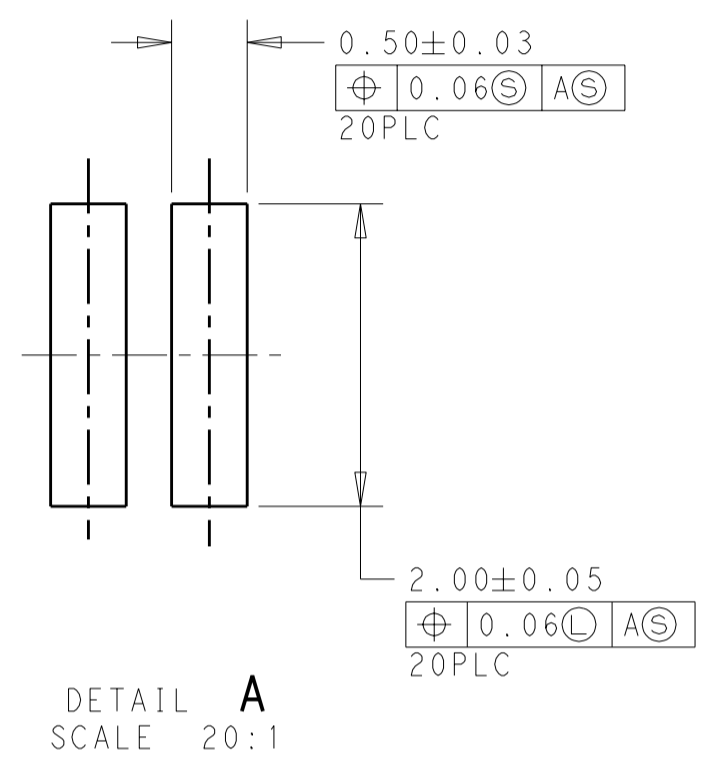
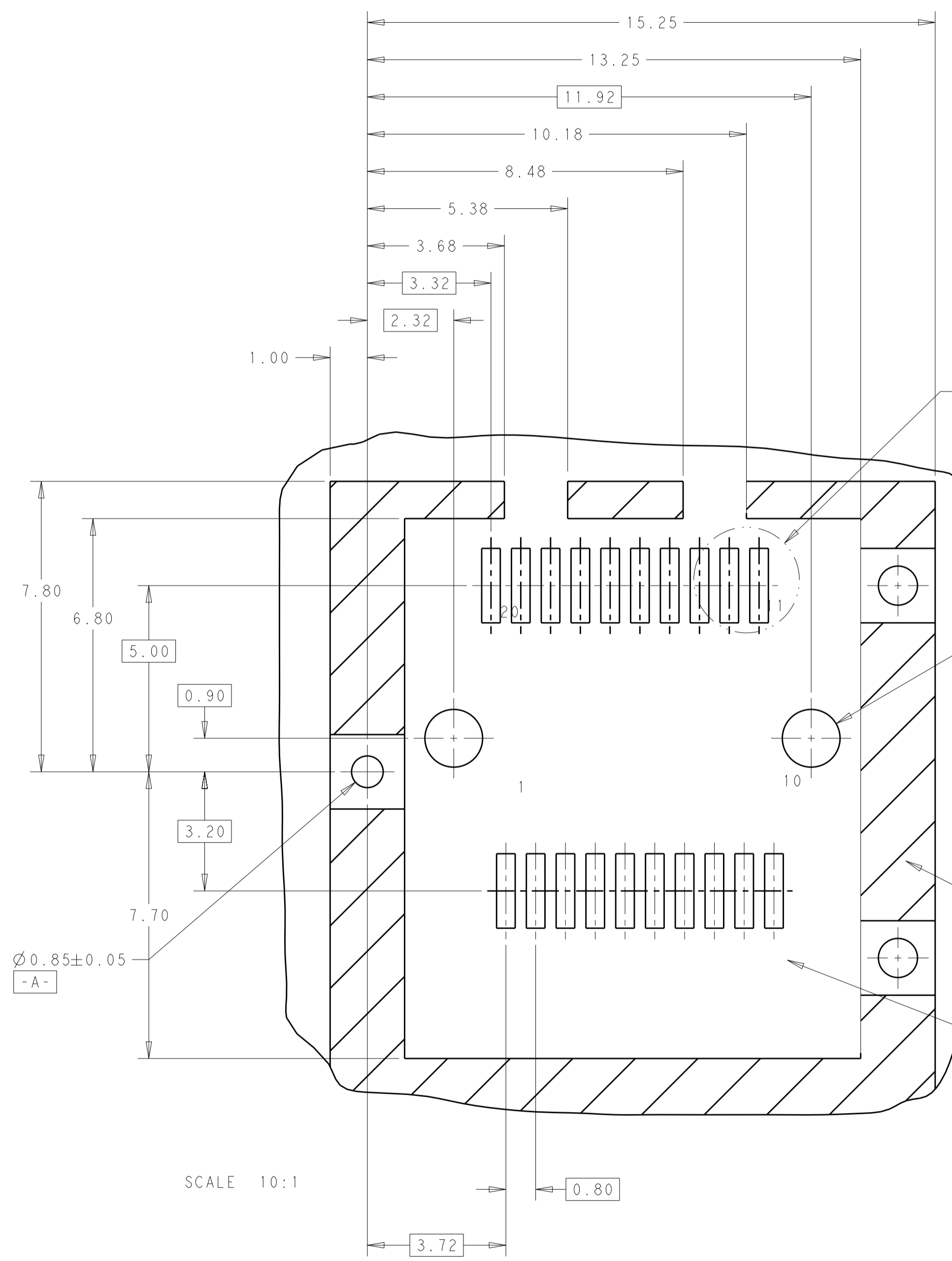
THIS PRINT IS
PRELIMINARY
 UNQUALIFIED PRODUCT
 CONTACT PRODUCT ENGINEERING
 BEFORE USING THIS PRINT

3	2170164-2
2	2170164-1
FINISH	TE PART NO.

THIS DRAWING IS A CONTROLLED DOCUMENT.		DWN	TIM XUE	31OCT2011	TE Connectivity
DIMENSIONS:		CHK	C. WANG	31OCT2011	
mm		APVD	C. WANG	31OCT2011	
TOLERANCES UNLESS OTHERWISE SPECIFIED: 0 PLC ± 1 PLC ±0.25 2 PLC ±0.13 3 PLC ± 4 PLC ± ANGLES ± FINISH		NAME	ASSEMBLY DRAWING SMT, 20POS, ZSFP+		
MATERIAL	1	2	3	4	SIZE: A200779 CAGE CODE: C-2170164 DRAWING NO: 2170164 RESTRICTED TO: - SCALE: 8:1 SHEET: 1 OF 2 REV: 2

THIS DRAWING IS UNPUBLISHED. RELEASED FOR PUBLICATION 20
 © COPYRIGHT 20 BY - ALL RIGHTS RESERVED.

REVISIONS							
LOC	DIST	P	LTR	DESCRIPTION	DATE	DWN	APVD
-	-	-	-	SEE SHEET 1	-	-	-



CROSS HATCHED AREA DENOTES COMPONENT AND TRACE KEEP-OUT (EXCEPT CHASSIS GROUND)

THIS AREA DENOTES COMPONENT KEEP-OUT (TRACES ALLOWED)

SCALE 10:1

THIS DRAWING IS A CONTROLLED DOCUMENT.		DWN TIM XUE 31OCT2011	TE Connectivity	
DIMENSIONS: mm		CHK C. WANG 31OCT2011		
TOLERANCES UNLESS OTHERWISE SPECIFIED:		APVD C. WANG 31OCT2011	NAME ASSEMBLY DRAWING SMT, 20POS, ZSFP+	
0 PLC ±-	1 PLC ±0.25	PRODUCT SPEC	SIZE CAGE CODE DRAWING NO RESTRICTED TO	
2 PLC ±0.13	3 PLC ±-	APPLICATION SPEC	A200779 C-2170164	
4 PLC ±-	ANGLES ±-	WEIGHT	SCALE 8:1 SHEET 2 OF 2 REV 2	
MATERIAL	FINISH	CUSTOMER DRAWING		

单击下面可查看定价，库存，交付和生命周期等信息

[>>TE Connectivity\(泰科\)](#)