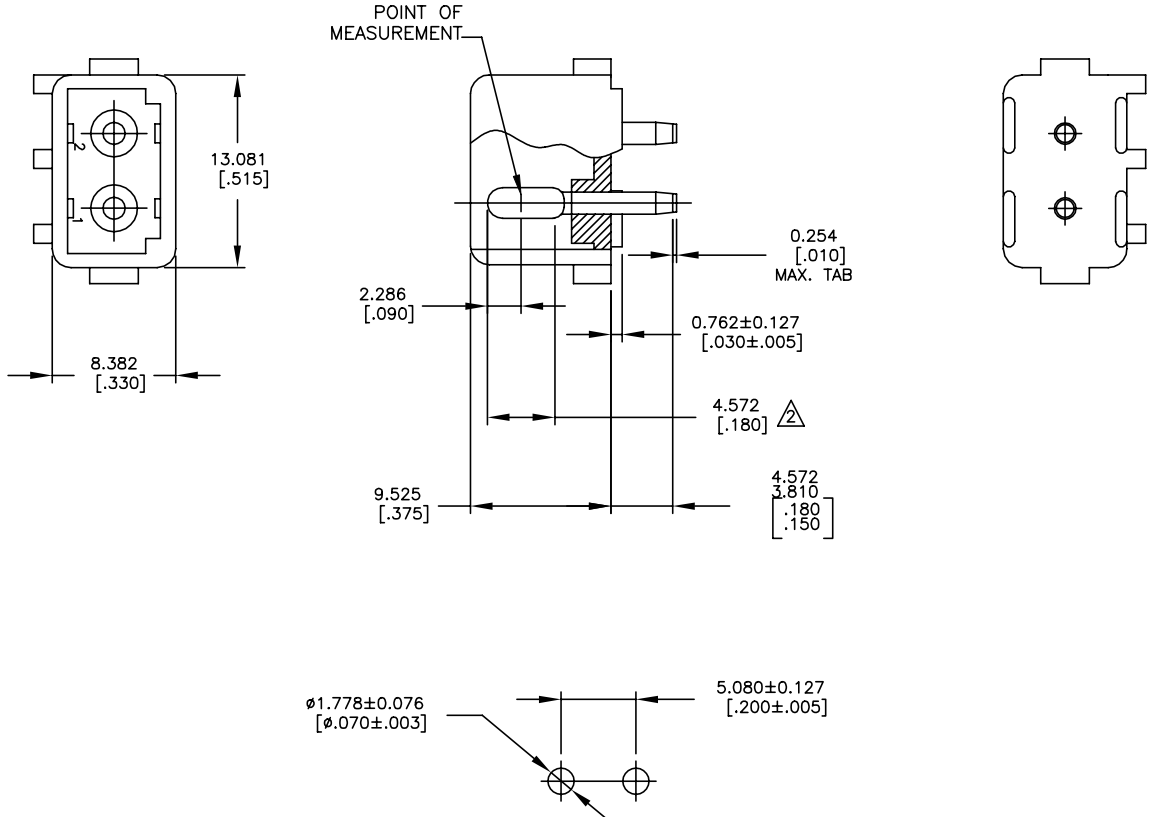


4 3 2 1

THIS DRAWING IS UNPUBLISHED. RELEASED FOR PUBLICATION
 © COPYRIGHT 158651By - ALL RIGHTS RESERVED.

REVISIONS				
P	LTR	DESCRIPTION	DATE	APVD
	A1	REVISED PER ECR-21-117185	25OCT2021	PJ VS



- 1. PARTS MUST COMPLY WITH SOLDERABILITY SPEC. 109-11-3.
- ⚠ CONTACT IS PLATED OVERALL WITH .000050 NICKEL, THEN .000030 GOLD OVER CONTACT LENGTH INDICATED AND MATTE TIN ON SOLDER TAIL END.
- ⚠ PRELIMINARY PART NOT RELEASED FOR PRODUCTION.
- 4 DIMENSION SHOWN REPRESENT PRODUCT IN DRY CONDITION. ADDITIONAL 2% GROWTH DUE TO END USE LOCATION MOISTURE ABSORPTION MAY OCCUR AND SHOULD BE ACCOUNTED FOR.

RECOMMENDED LAYOUT FOR 1.575 [.062] THICK P.C. BOARD

METRIC

1586512-3	NYLON-NAT VO.	COPPER ALLOY-GOLD ⚠
1586512-2	NYLON-NAT.	COPPER ALLOY-GOLD ⚠
ASSEMBLY NO.	HSG, MATL& COLOR	PIN MATL & FINISH

DIMENSIONS:		TOLERANCES UNLESS OTHERWISE SPECIFIED:		DWN		RAGHU		06OCT2005	
mm [INCHES]		0 PLC ± -		CHK		D.COLEY		19SEP2013	
1 PLC ± -		2 PLC ± -		APVD		D.COLEY		06OCT2005	
2 PLC ± -		3 PLC ± -		PRODUCT SPEC		NAME		2 CIRCUIT COMMERCIAL MATE-N-LOK (TM) HEADER	
3 PLC ± -		4 PLC ± -		APPLICATION SPEC		SIZE		CAGE CODE	
4 PLC ± -		ANGLES ± -		MATERIAL		DRAWING NO		RESTRICTED TO	
SEE TABLE		SEE TABLE		FINISH		WEIGHT		SCALE	
						A3 00779		C=1586512	
						CUSTOMER DRAWING		SHEET 1 of 1	
								REV A1	



单击下面可查看定价，库存，交付和生命周期等信息

[>>TE Connectivity\(泰科\)](#)