

THIS DRAWING IS UNPUBLISHED.

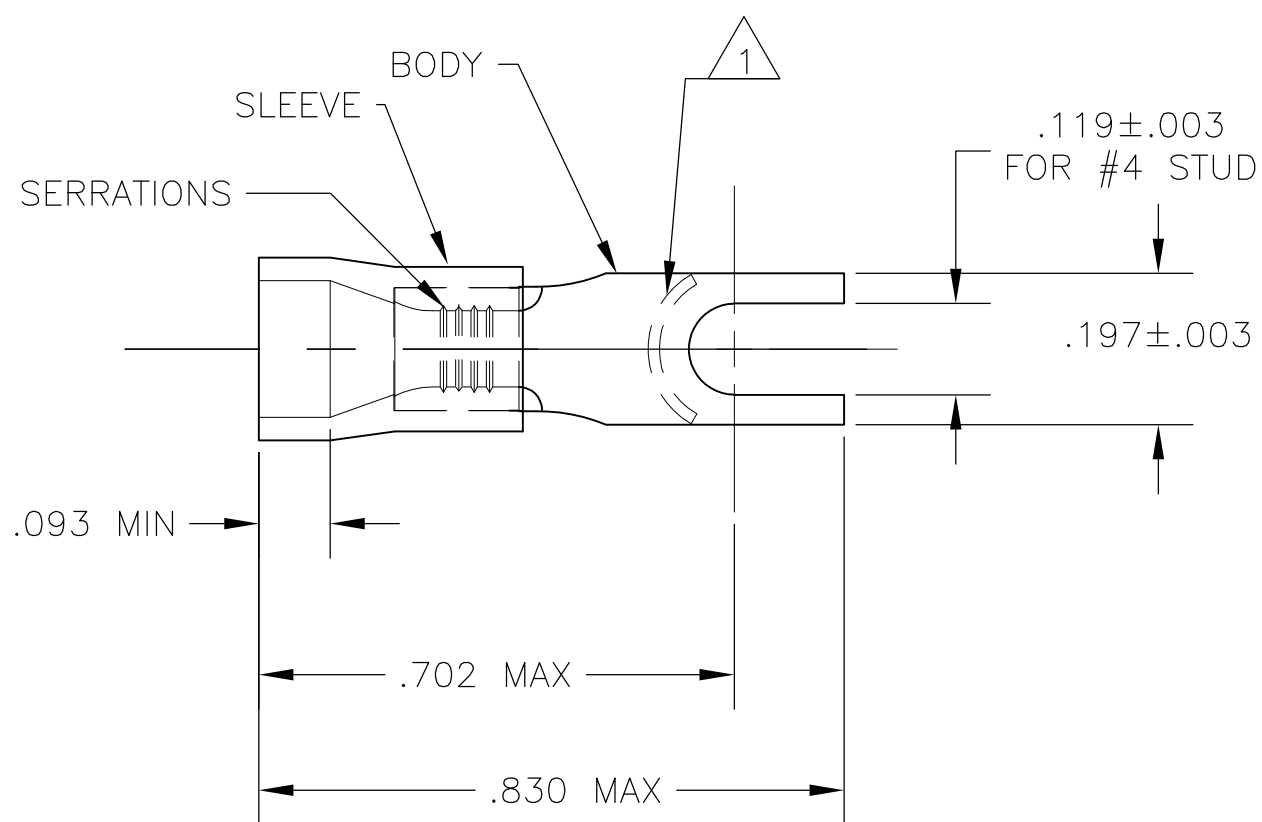
RELEASED FOR PUBLICATION

© COPYRIGHT - By -

ALL RIGHTS RESERVED.

LOC	DIST	REVISIONS			
P	LTR	DESCRIPTION	DATE	DWN	APVD
G	86	A1	REVISED PER ECO-15-010719	25JUL2015	NK DR

- 1 STAMP AMP 16-14, LOCATE APPROX AS SHOWN.
- 2 WIRE INSULATION DIA IS .118-.193
- 3 TONGUE THICKNESS IS .031±.002
- 4 MATERIAL: BODY-CU PER ASTM B152  
SLEEVE-PVC, COLOR BLUE



1000	LOOSE PIECE	132528-1
QTY	PACKAGE TYPE	PART NO

THIS DRAWING IS A CONTROLLED DOCUMENT.		DWN jr_ruth 16FEB06	<b>STE</b> TE Connectivity	
DIMENSIONS: INCHES		CHK T MICHELUTTI 16FEB06		
TOLERANCES UNLESS OTHERWISE SPECIFIED:		APVD T MICHELUTTI 16FEB06	NAME TERMINAL, SPADE, PLASTI-GRIP, WIRE SIZE 16-14 AWG	
0 PLC ± -		PRODUCT SPEC	-	
1 PLC ± -		APPLICATION SPEC	-	
2 PLC ± -		WEIGHT	-	
3 PLC ± .008		SIZE	A3	00779
4 PLC ± -		CAGE CODE	C-132528	
ANGLES ± 5°		DRAWING NO	G-132528	
MATERIAL	- 4	FINISH	-	
CUSTOMER DRAWING		SCALE	4:1	SHEET 1 OF 1
		REV	A1	

单击下面可查看定价，库存，交付和生命周期等信息

[>>TE Connectivity\(泰科\)](#)