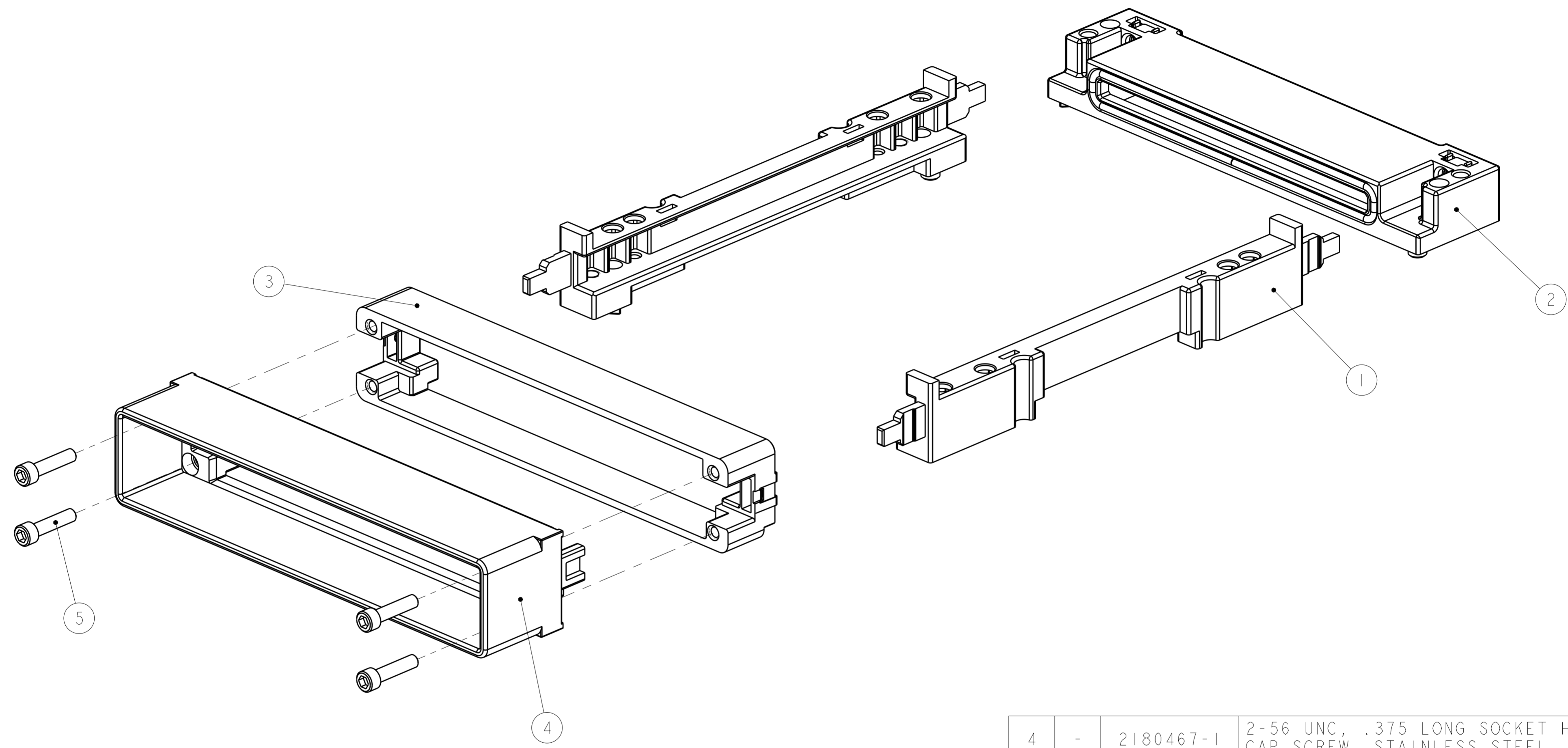



THIS DRAWING IS UNPUBLISHED. RELEASED FOR PUBLICATION 20  
 © COPYRIGHT 20 BY - ALL RIGHTS RESERVED.

LOC	DIST	REVISIONS					
GP	00	P	LTR	DESCRIPTION	DATE	DWN	APVD
		B		REVISED PER ECO-12-021786	04MAR2013	CJV	MRS
		BI		REVISED PER ECO-19-001697	18FEB2019	IT	SH

I . BULK PACKED



4	-	2180467-1	2-56 UNC, .375 LONG SOCKET HEAD CAP SCREW, STAINLESS STEEL	5
1	1	2057626-1	EXTERNAL BRACKET ASSEMBLY	4
1	1	2057930-1	BACKER PLATE ASSEMBLY	3
1	1	2057631-1	CONNECTOR COVER ASSEMBLY	2
2	2	2057592-2	GUIDE RAIL	1
-2	-1	PART NUMBER	DESCRIPTION	ITEM NO

THIS DRAWING IS A CONTROLLED DOCUMENT. DIMENSIONING AND TOLERANCING PER ASME Y14.5M-2009		DWN M. SCHMITT 3DEC2010	 TE Connectivity	
DIMENSIONS: mm		CHK M. SCHMITT 3DEC2010		NAME HARDWARE KIT, CFP, NO HEATSINK
TOLERANCES UNLESS OTHERWISE SPECIFIED:		APVD B. WERTZ 3DEC2010		
0 PLC ± 1 PLC ± 2 PLC ± 3 PLC ± 4 PLC ± ANGLES ± FINISH		PRODUCT SPEC 108-2399	SIZE A200779	
MATERIAL		APPLICATION SPEC 114-13263	DRAWING NO C-2169666	
		WEIGHT	RESTRICTED TO	
		CUSTOMER DRAWING	SCALE 2:1 SHEET 1 OF 1 REV BI	

单击下面可查看定价，库存，交付和生命周期等信息

[>>TE Connectivity\(泰科\)](#)