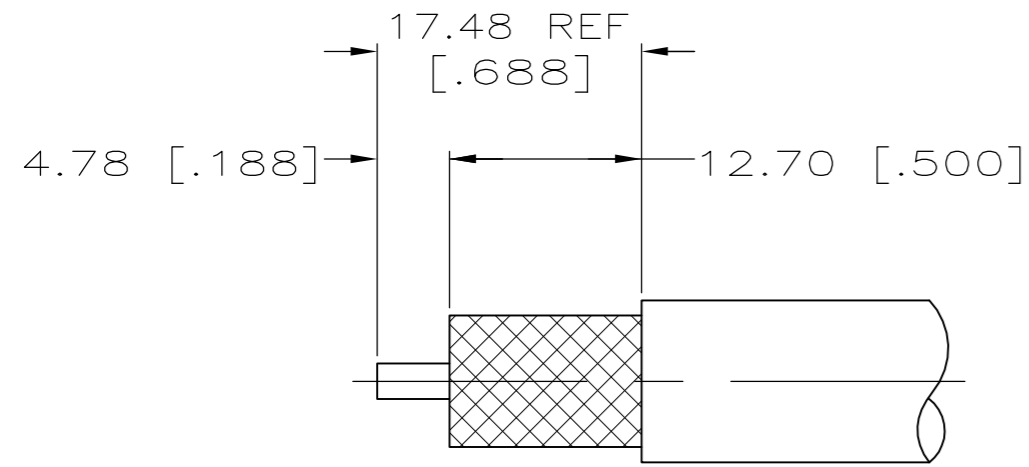
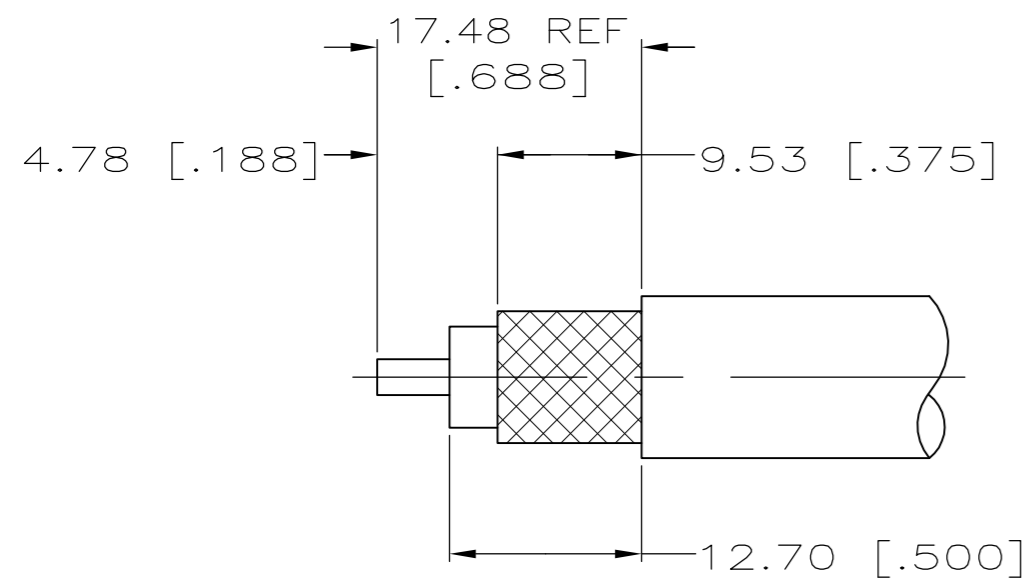


THIS DRAWING IS UNPUBLISHED. RELEASED FOR PUBLICATION
 © COPYRIGHT - By - ALL RIGHTS RESERVED.

| REVISIONS | | | | |
|-----------|-----|-----------------------|---------|-------|
| P | LTR | DESCRIPTION | DATE | APVD |
| N | | REV PER ECO-16-004720 | 08APR16 | KG DW |

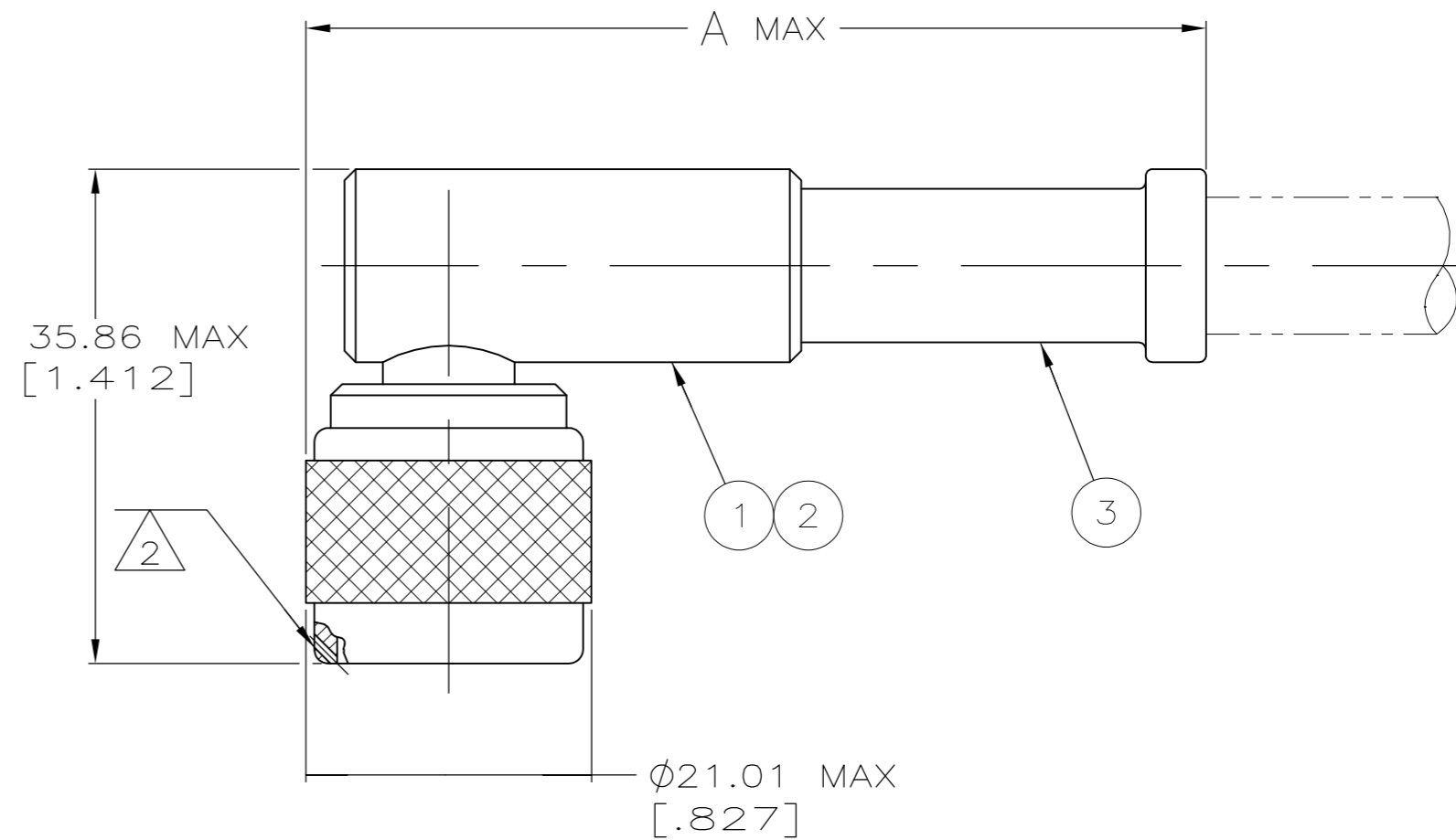


VIEW X
RECOMMENDED STRIP LENGTH



VIEW Y
RECOMMENDED STRIP LENGTH

- 1. PARTS PACKAGED UNASSEMBLED.
- 2. THREE SAFETY WIRE HOLES Ø0.61 [.024] MINIMUM, EQUALLY SPACED AROUND CIRCUMFERENCE.
- 3. SEE INSTRUCTION SHEET #2028-5.
- 4. OBSOLETE PART NUMBER.
- 5. SUPERSEDED BY 225389-4.



| | | | | | | | | |
|------------------------------|--------------------------------------|------------|---------------|------|--------------------|--------------------|----------------------|--------------|
| - | - | - | - | - | - | - | - | 5 7-225389-4 |
| RG-213/U | 7-225389-2 AMP | 220015-1 | 62.31 [2.453] | Y | 1-331987-3 | 51704-2 | 225417-1 | 7-225389-2 |
| RG-225/U | 5-225389-3 TYCO | 220015-1 | 62.31 [2.453] | X | 1883158-1 | 1-51704-0 | 1883152-1 | 5-225389-3 |
| - | - | - | - | - | - | - | - | 4 1-225389-0 |
| MICRODOT 250-4172 & 250-4208 | 225389-9 AMP | 220015-3 | 61.49 [2.421] | Y | 9-225612-0 | 51704-2 | 225904-1 | 225389-9 |
| RG-165/U & M15224 | 225389-8 AMP | 220015-1 | 62.31 [2.453] | Y | 9-331987-4 | 1-51704-0 | 225417-1 | 225389-8 |
| RG-393/U | 225389-6 AMP | 220015-1 | 62.31 [2.453] | X | 9-225490-1 | 1-51704-0 | 225417-1 | 225389-6 |
| RG-214/U | 10688467 AMP | 220015-1 | 62.31 [2.453] | X | 331987 | 51704-2 | 225417-1 | 4 225389-5 |
| RG-214/U | 00779 M39012/05B0003 AMP & DATE CODE | 220015-1 | 62.31 [2.453] | X | 331987 | 51704-2 | 225417-1 | 4 225389-4 |
| RG-225/U | 225389-3 AMP | 220015-1 | 62.31 [2.453] | X | 9-331987-3 | 1-51704-0 | 225417-1 | 225389-3 |
| RG-213/U | 00779 M39012/05B0002 AMP & DATE CODE | 220015-1 | 62.31 [2.453] | Y | 9-331987-4 | 51704-2 | 225417-1 | 225389-2 |
| RG-115A/U | 225389-1 AMP | 220015-1 | 62.31 [2.453] | X | 1-331987-3 | 51704-2 | 225417-2 | 4 225389-1 |
| CABLE SIZE | STAMPING | CRIMP TOOL | A | VIEW | 3 FERRULE QTY=1 | 2 CONTACT QTY=1 | 1 PLUG ASSY QTY=1 | PART NUMBER |

THIS DRAWING IS A CONTROLLED DOCUMENT.

| | | |
|------------------|-----------|----------|
| DWN | B. SCOTT | 5-29-91 |
| CHK | M. SNEED | 10-30-91 |
| APVD | M. SNEED | 10-31-91 |
| PRODUCT SPEC | 108-12019 | |
| APPLICATION SPEC | | |
| WEIGHT | 0.000000 | |
| CUSTOMER DRAWING | | |

TE TE Connectivity

PLUG, RIGHT ANGLE, WEATHERPROOF, SERIES N

| | | | | | | | |
|-------|-----|-----------|--------|------------|----------|---------------|---|
| SIZE | A2 | CAGE CODE | 00779 | DRAWING NO | C=225389 | RESTRICTED TO | - |
| SCALE | 2:1 | SHEET | 1 of 1 | REV | N | | |

单击下面可查看定价，库存，交付和生命周期等信息

[>>TE Connectivity\(泰科\)](#)