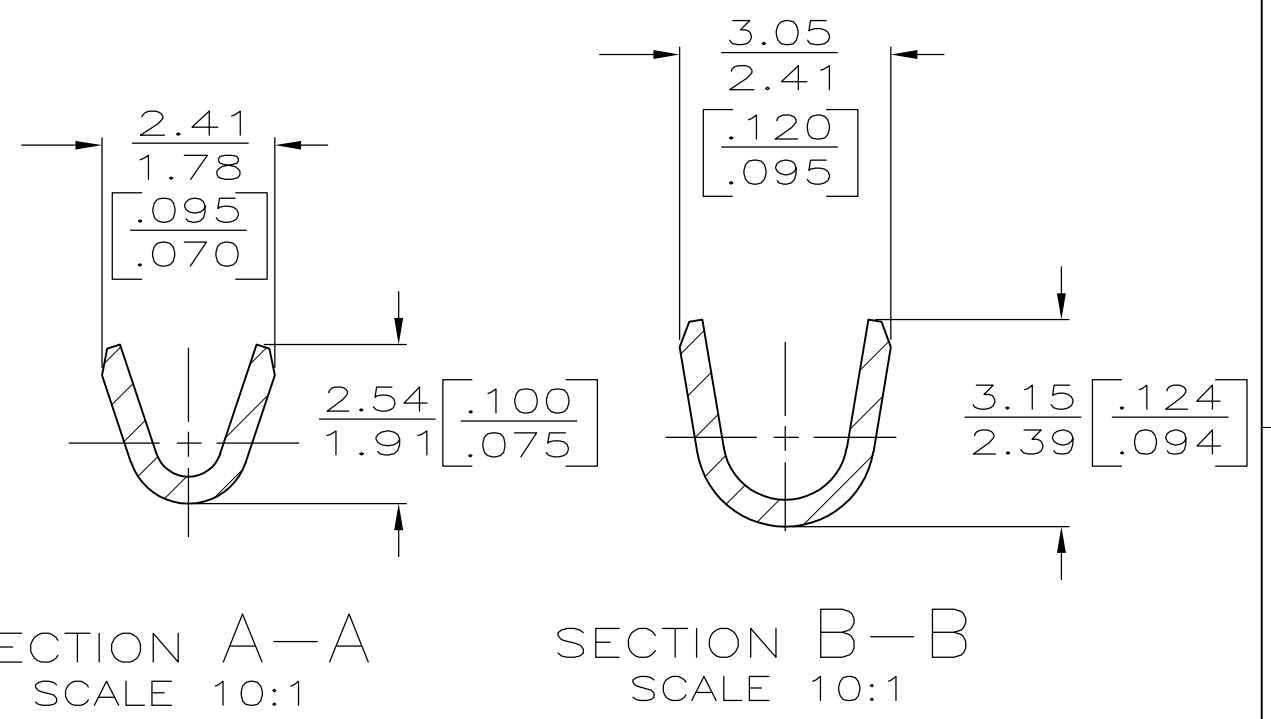
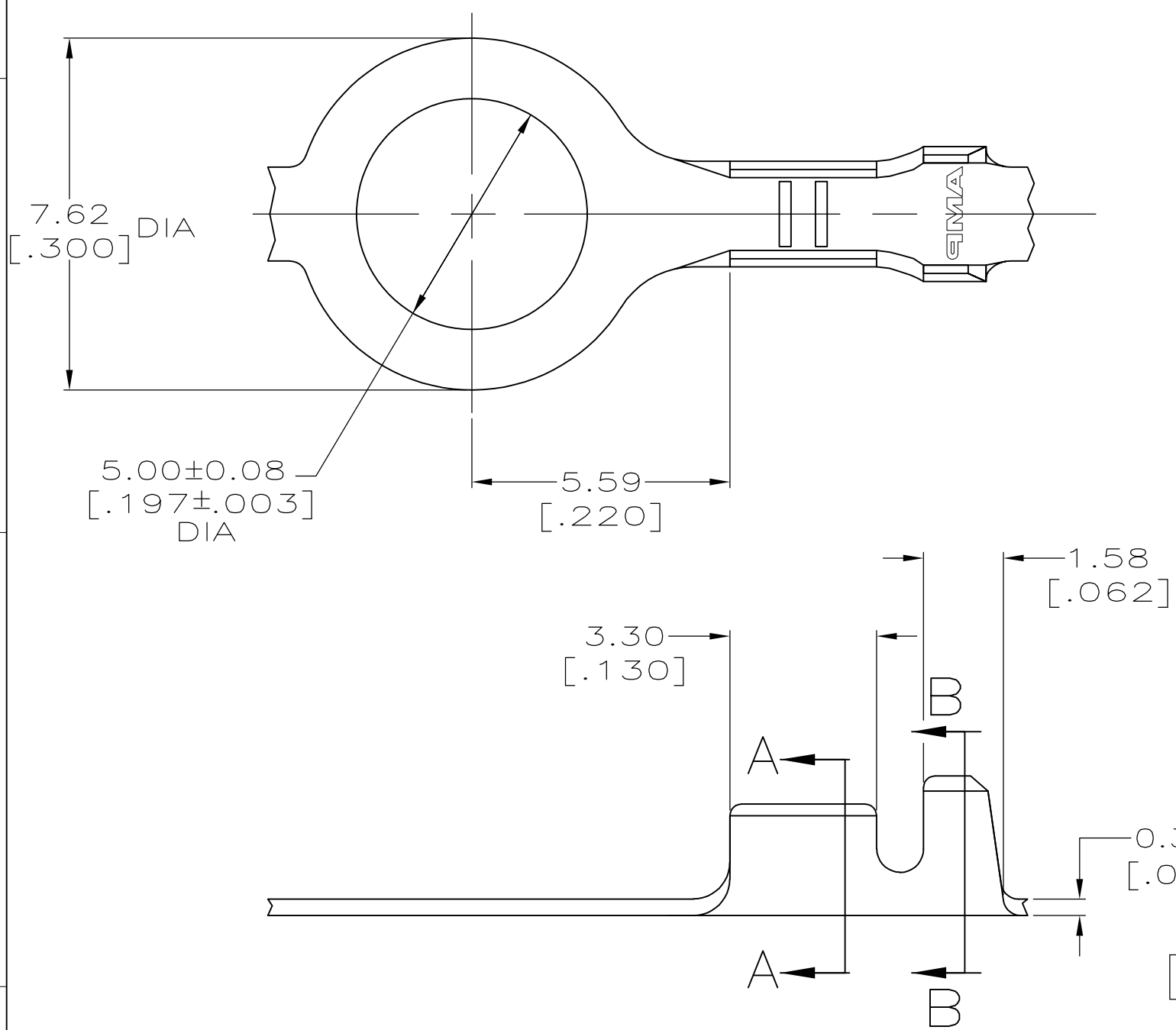


THIS DRAWING IS UNPUBLISHED. RELEASED FOR PUBLICATION  
 © COPYRIGHT - By - ALL RIGHTS RESERVED.

REVISIONS					
P	LTR	DESCRIPTION	DATE	DWN	APVD
F1		REVISED PER ECR-09-000368	20JAN09	HMR	DD
F2		REVISED PER ECR-16-012480	06SEP16	ST	TD

- 1 CONTINUOUS STRIP ON REEL.
- 2 0.002032 [.000080] MIN TIN PLATE PER MIL-T-10727.



OBSOLETE	---	1.22-1.98 DIA	[24-20] AWG	60555-2
	2	[.048-.078]		60555-1
	FINISH	INSULATION RANGE	WIRE RANGE	PART NO.

0	.090	2.29	4.32	F	2.03	1.40 [.055]	0.6mm <sup>2</sup> [20]	
F	.010	[.090]	[.170]		[.080]	1.35 [.053]	0.3mm <sup>2</sup> [22]	
						1.27 [.050]	0.2mm <sup>2</sup> [24]	
	TYPE	WIDTH	STRIP LENGTH ±0.38 [±.015]		TYPE	WIDTH	±0.051 [±.002] HEIGHT	WIRE
	INSUL BARREL CRIMP				WIRE BARREL CRIMP			

THIS DRAWING IS A CONTROLLED DOCUMENT.

DWN PHILLIP M FORTNEY 6/9/94  
 CHK JEFF RUTH 6/9/94

APVD GARY YETTER 6/9/94  
 PRODUCT SPEC RON KUZO 6/9/94

APPLICATION SPEC

STE TE Connectivity

RING

SIZE A3 CAGE CODE 00779 DRAWING NO C-60555 RESTRICTED TO

WEIGHT 0.000000

CUSTOMER DRAWING SCALE 8:1 SHEET 1 OF 1 REV F2

单击下面可查看定价，库存，交付和生命周期等信息

[>>TE Connectivity\(泰科\)](#)