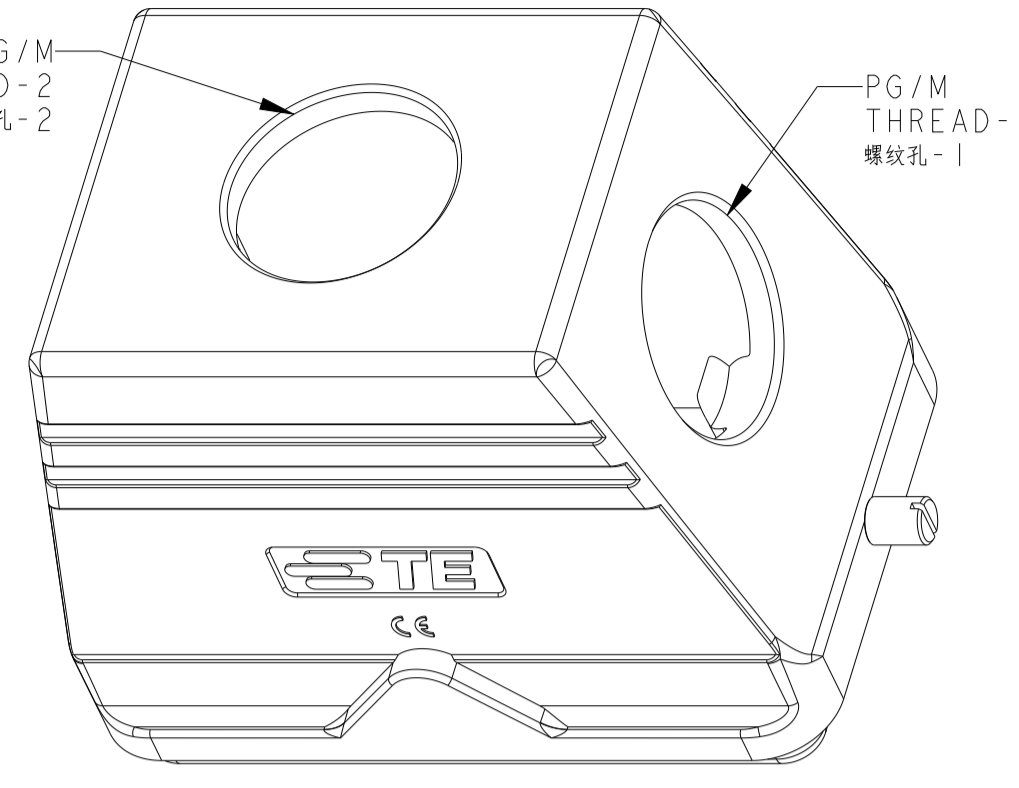
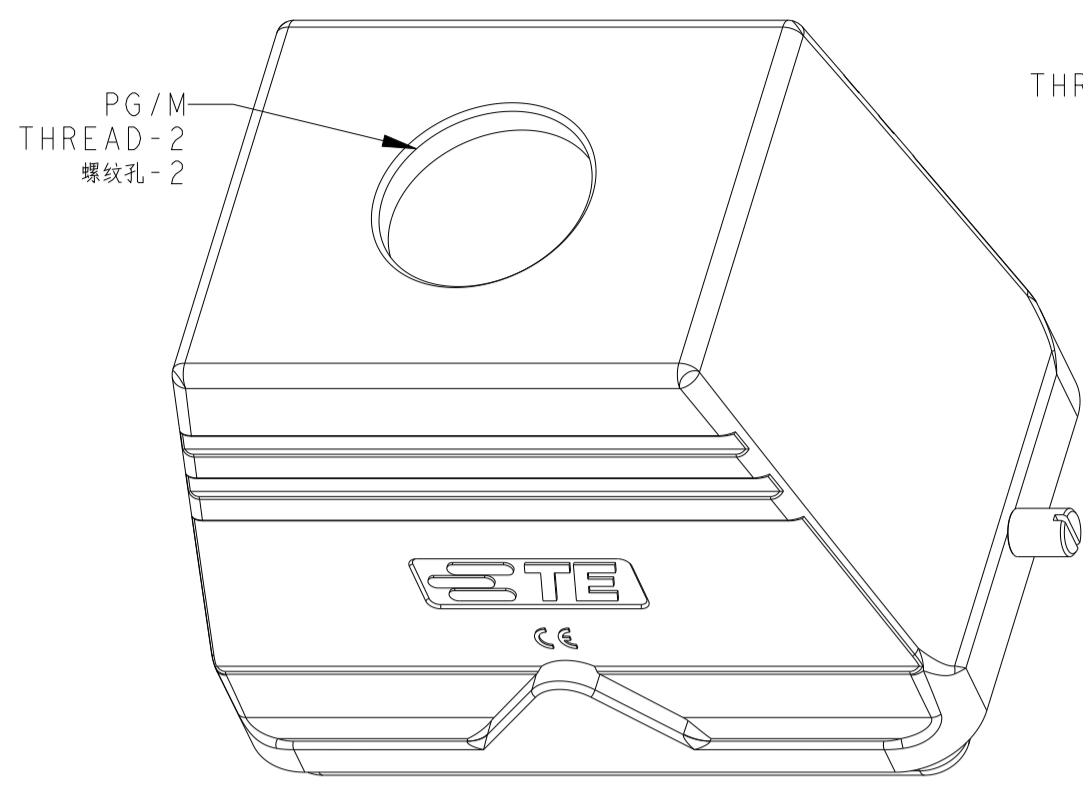
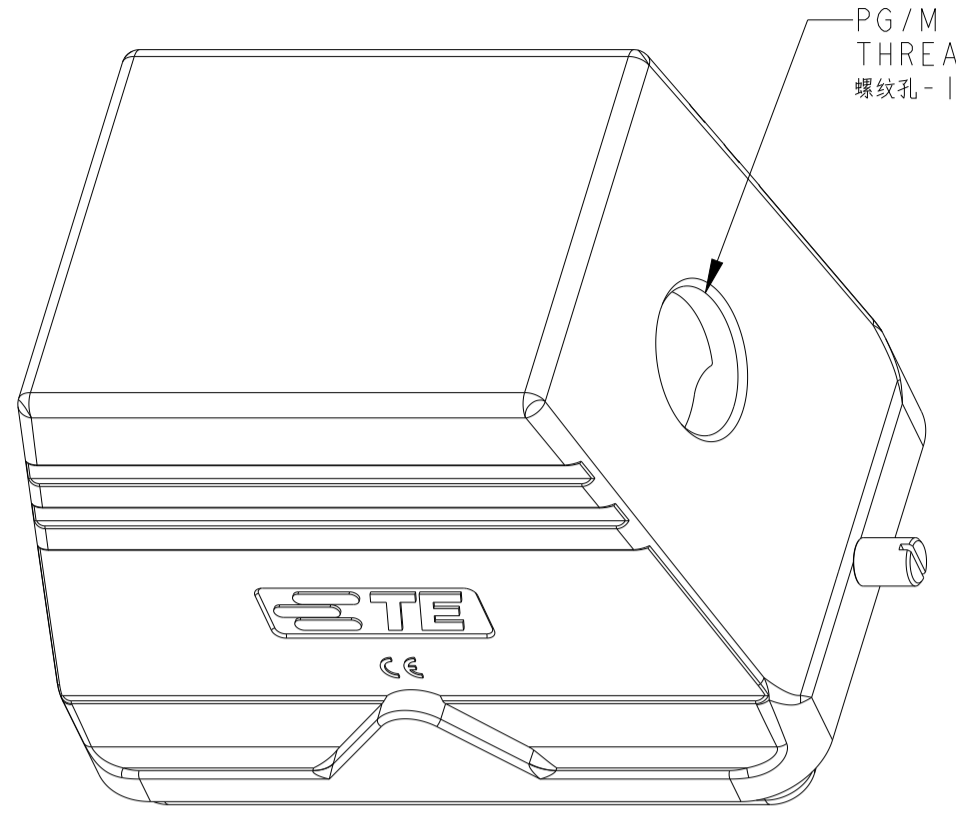
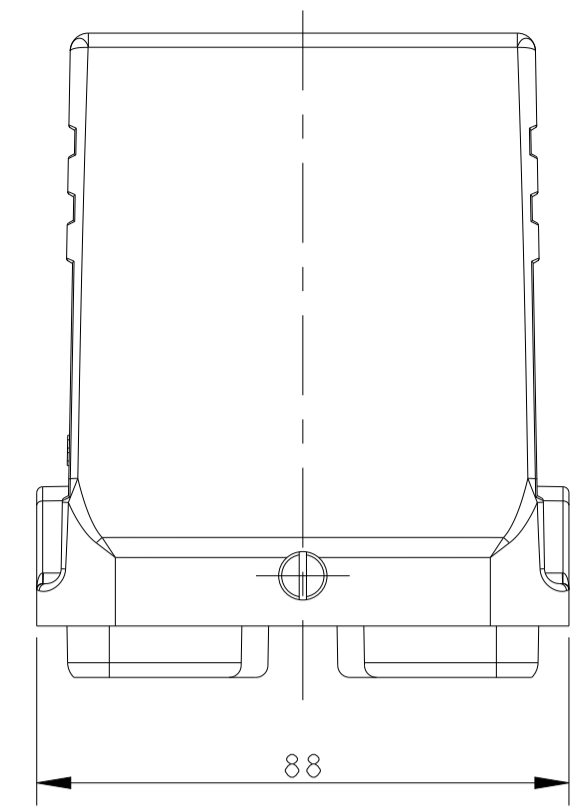
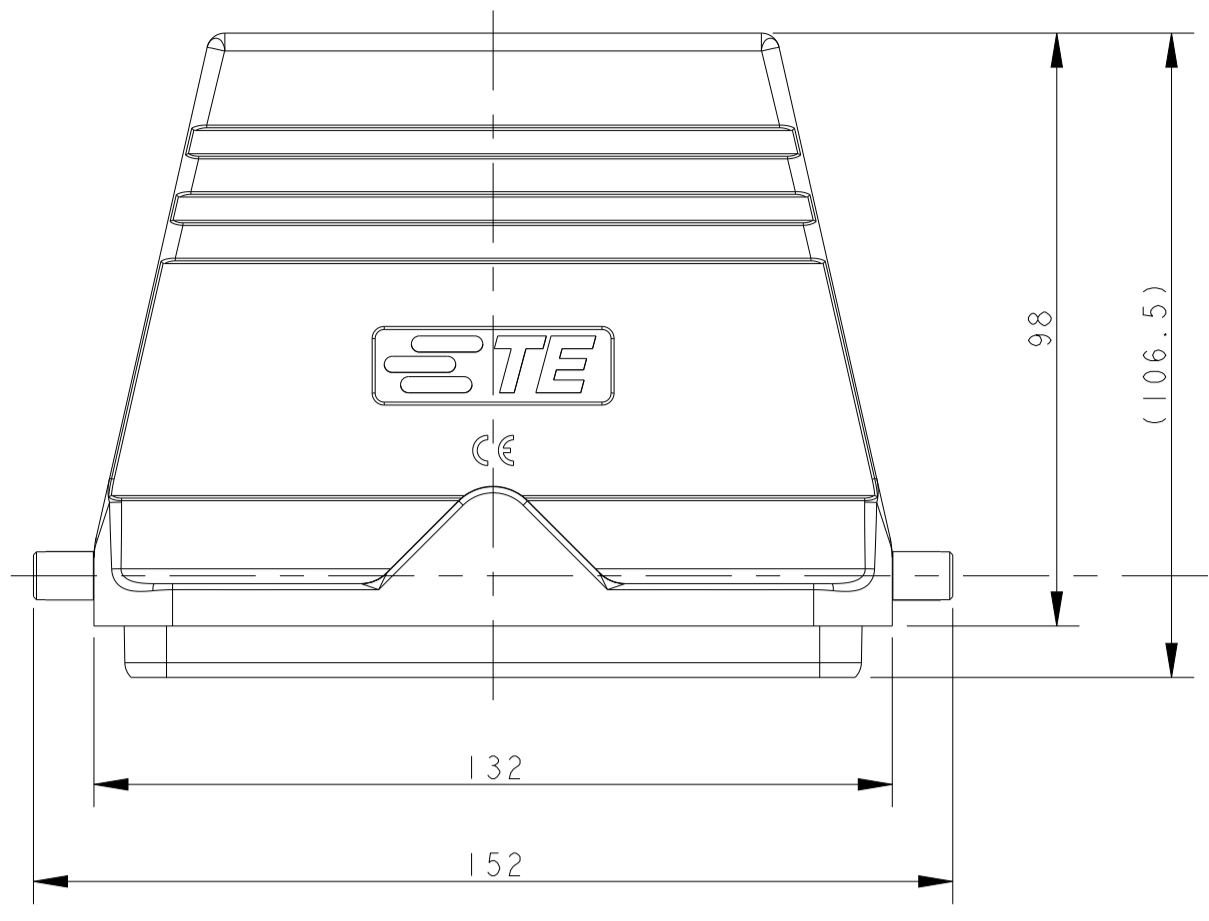


| REVISIONS | | | | | |
|-----------|---------------|-------------|-----------|-----|------|
| REV | LTN | DESCRIPTION | DATE | OWN | APVD |
| A2 | ECR-17-002665 | | 27FEB2017 | BS | CW |
| A3 | ECR-18-018974 | | 04DEC2018 | WOR | CW |
| A4 | ECR-19-010616 | | 08JUL2019 | CD | CW |
| B | ECR-21-109004 | | 19AUG2021 | WOR | CW |



TYPE 2: H48B HOOD, SIDE ENTRY, 2 EAR
OTHER SPEC REFER TO TYPE 1

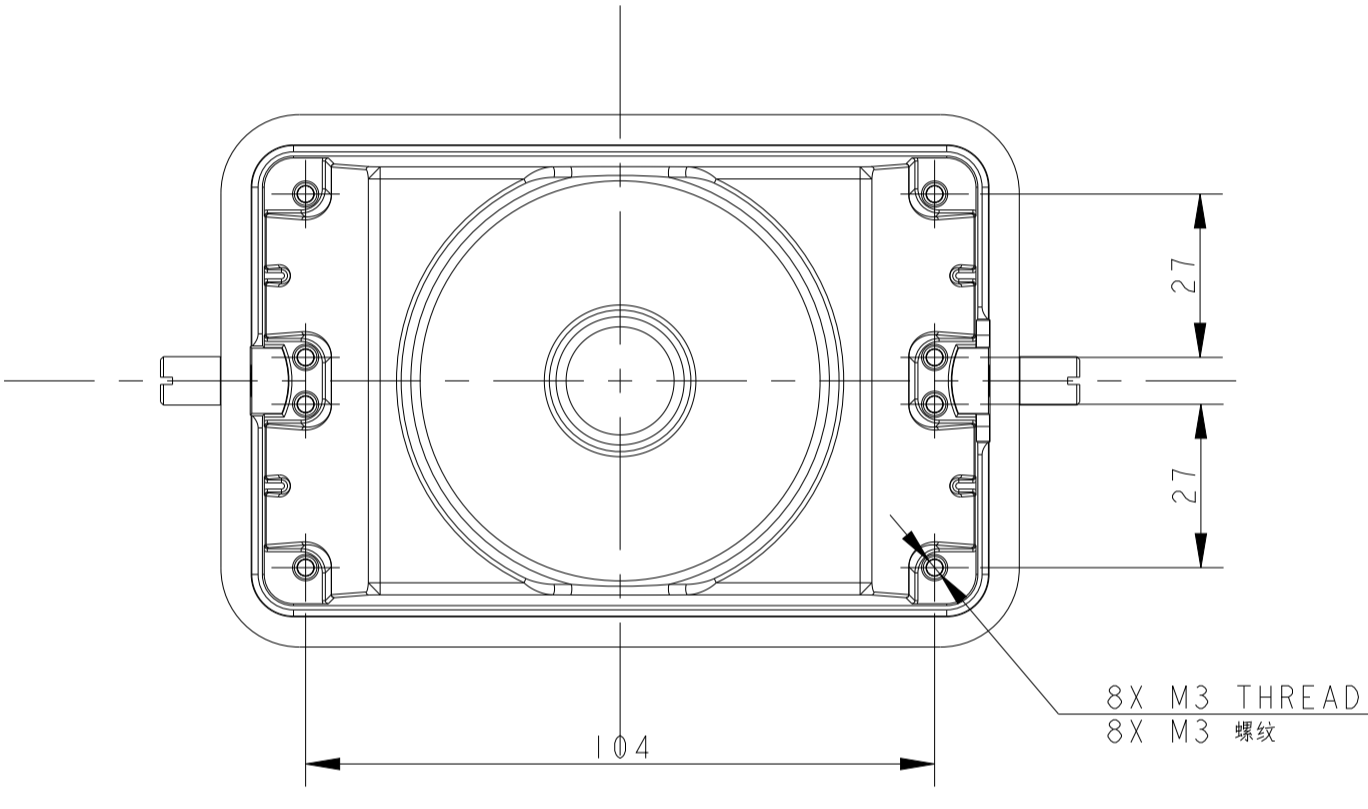
TYPE 3: H48B HOOD, TOP ENTRY, 2 EAR
OTHER SPEC REFER TO TYPE 1

TYPE 4: H48B HOOD, SIDE/TOP ENTRY, 2 EAR
OTHER SPEC REFER TO TYPE 1&TYPE 2

类型2: H48B上壳, 侧出, 2耳
未注规格参照类型1

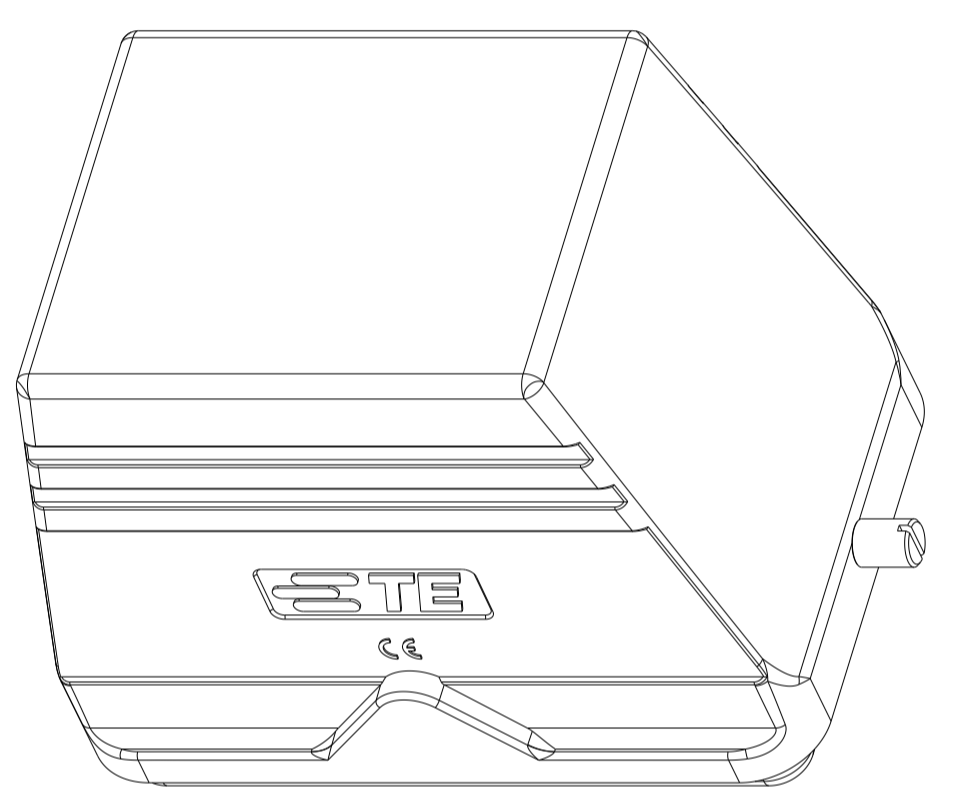
类型3: H48B上壳, 顶出, 2耳
未注规格参照类型1

类型4: H48B上壳, 侧顶出, 2耳
未注规格参照类型1和类型2



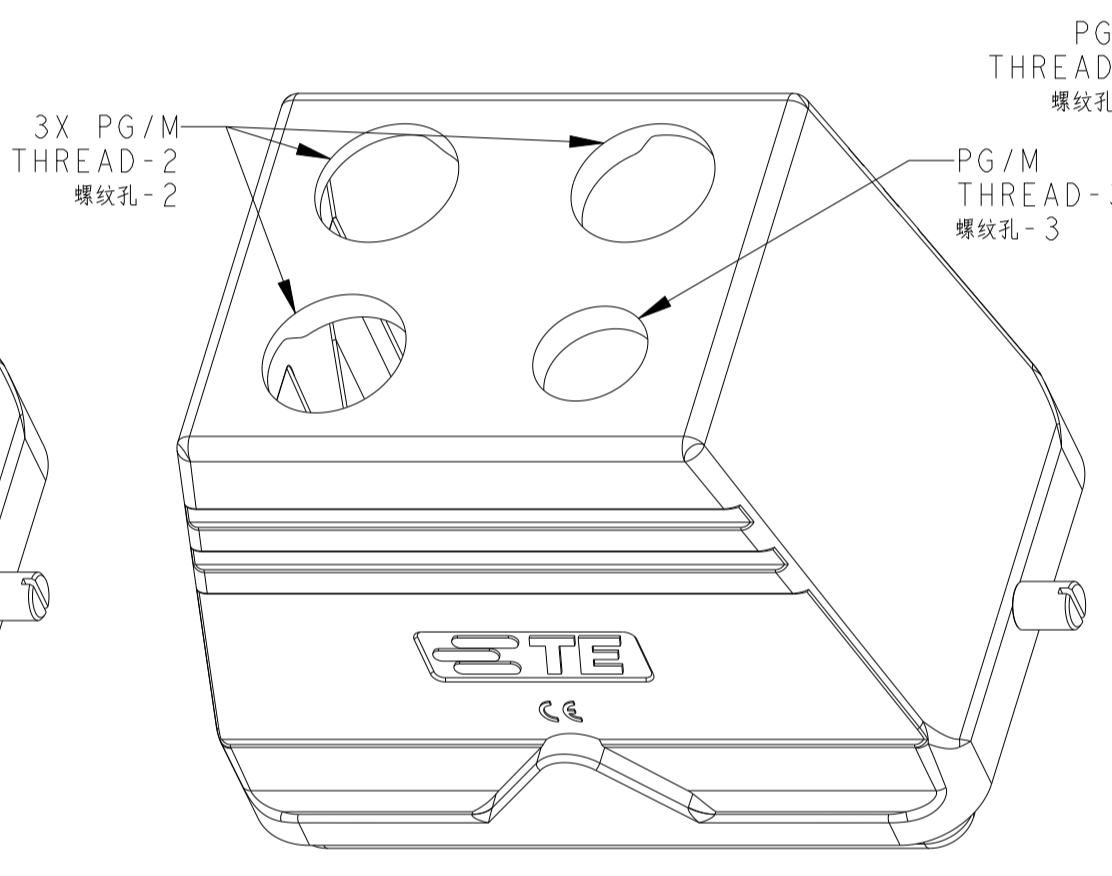
TYPE 1: H48B HOOD, NO ENTRY, 2 EAR

类型1: H48B上壳, 无线孔, 2耳



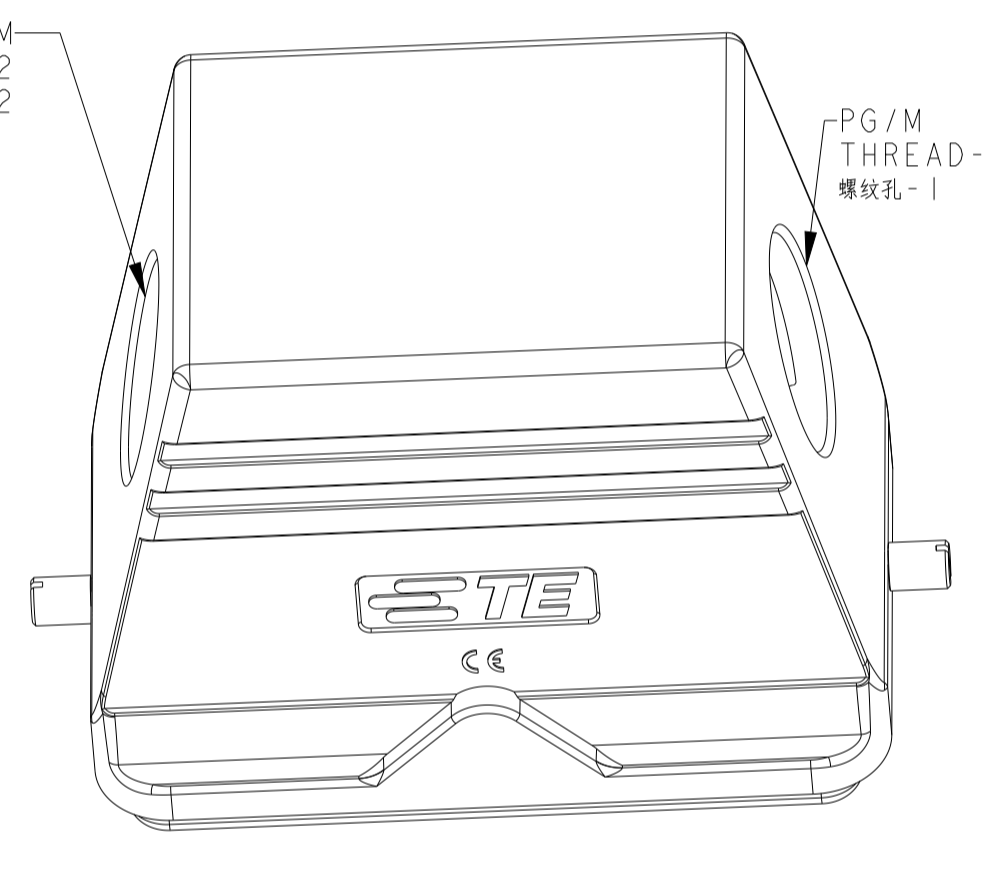
TYPE 5: H48B HOOD, TOP ENTRY (2 HOLE), 2 EAR
OTHER SPEC REFER TO TYPE 1

类型5: H48B上壳, 顶出(2孔), 2耳
未注规格参照类型1



TYPE 6: H48B HOOD, TOP ENTRY (4 HOLE), 2 EAR
OTHER SPEC REFER TO TYPE 1

类型6: H48B上壳, 顶出(4孔), 2耳
未注规格参照类型1



TYPE 7: H48B HOOD, SIDE ENTRY (2 HOLE), 2 EAR
OTHER SPEC REFER TO TYPE 1

类型7: H48B上壳, 侧出(2孔), 2耳
未注规格参照类型1

NOTES:
1. TECHNICAL CHARACTERISTICS:
BODY MATERIAL: DIE CAST ALUMINIUM ALLOY
SURFACE TREATMENT: POWDER-COATED, GREY
DEGREE OF PROTECTION: IP65 (MATED)

注释:
1. 技术参数:
主体材料: 铝合金
表面处理: 灰色粉末喷涂
防护等级: IP65(配合)

| PART NUMBER | PART DESCRIPTION | PG/M THREAD-1 螺紋孔-1 | PG/M THREAD-2 螺紋孔-2 | PG/M THREAD-3 螺紋孔-3 | TYPE 类型 |
|------------------|--|---------------------|---------------------|---------------------|---------|
| T10X0480000-000 | H48B-TG/S-RO-XX H48B HOOD, NO ENTRY, 2 EAR, POWDER COATED, GREY H48B上壳, 无线孔, 2耳, 灰色粉末喷涂 | - | - | - | TYPE 1 |
| T1310480125-000 | H48B-TS-RO-M25 H48B HOOD, SIDE ENTRY M25, 2 EAR, POWDER COATED, GREY H48B上壳, 侧出M25, 2耳, 灰色粉末喷涂 | M25 | - | - | TYPE 2 |
| T1310480129-000 | H48B-TS-RO-PG29 H48B HOOD, SIDE ENTRY PG29, 2 EAR, POWDER COATED, GREY H48B上壳, 侧出PG29, 2耳, 灰色粉末喷涂 | PG29 | - | - | |
| T1310480132-000 | H48B-TS-RO-M32 H48B HOOD, SIDE ENTRY M32, 2 EAR, POWDER COATED, GREY H48B上壳, 侧出M32, 2耳, 灰色粉末喷涂 | M32 | - | - | |
| T1310480136-000 | H48B-TS-RO-PG36 H48B HOOD, SIDE ENTRY PG36, 2 EAR, POWDER COATED, GREY H48B上壳, 侧出PG36, 2耳, 灰色粉末喷涂 | PG36 | - | - | |
| T1310480140-000 | H48B-TS-RO-M40 H48B HOOD, SIDE ENTRY M40, 2 EAR, POWDER COATED, GREY H48B上壳, 侧出M40, 2耳, 灰色粉末喷涂 | M40 | - | - | |
| T1310480142-000 | H48B-TS-RO-PG42 H48B HOOD, SIDE ENTRY PG42, 2 EAR, POWDER COATED, GREY H48B上壳, 侧出PG42, 2耳, 灰色粉末喷涂 | PG42 | - | - | |
| T1310480148-000 | H48B-TS-RO-PG48 H48B HOOD, SIDE ENTRY PG48, 2 EAR, POWDER COATED, GREY H48B上壳, 侧出PG48, 2耳, 灰色粉末喷涂 | PG48 | - | - | |
| T1310480150-000 | H48B-TS-RO-M50 H48B HOOD, SIDE ENTRY M50, 2 EAR, POWDER COATED, GREY H48B上壳, 侧出M50, 2耳, 灰色粉末喷涂 | M50 | - | - | TYPE 3 |
| T1320480129-000 | H48B-TG-RO-PG29 H48B HOOD, TOP ENTRY PG29, 2 EAR, POWDER COATED, GREY H48B上壳, 顶出PG29, 2耳, 灰色粉末喷涂 | - | PG29 | - | |
| T1320480132-000 | H48B-TG-RO-M32 H48B HOOD, TOP ENTRY M32, 2 EAR, POWDER COATED, GREY H48B上壳, 顶出M32, 2耳, 灰色粉末喷涂 | - | M32 | - | |
| T1320480136-000 | H48B-TG-RO-PG36 H48B HOOD, TOP ENTRY PG36, 2 EAR, POWDER COATED, GREY H48B上壳, 顶出PG36, 2耳, 灰色粉末喷涂 | - | PG36 | - | |
| T1320480140-000 | H48B-TG-RO-M40 H48B HOOD, TOP ENTRY M40, 2 EAR, POWDER COATED, GREY H48B上壳, 顶出M40, 2耳, 灰色粉末喷涂 | - | M40 | - | |
| T1320480142-000 | H48B-TG-RO-PG42 H48B HOOD, TOP ENTRY PG42, 2 EAR, POWDER COATED, GREY H48B上壳, 顶出PG42, 2耳, 灰色粉末喷涂 | - | PG42 | - | |
| T1320480150-000 | H48B-TG-RO-M50 H48B HOOD, TOP ENTRY M50, 2 EAR, POWDER COATED, GREY H48B上壳, 顶出M50, 2耳, 灰色粉末喷涂 | - | M50 | - | |
| T1320480163-000 | H48B-TG-RO-M63 H48B HOOD, TOP ENTRY M63, 2 EAR, POWDER COATED, GREY H48B上壳, 顶出M63, 2耳, 灰色粉末喷涂 | - | M63 | - | TYPE 4 |
| T13204804040-000 | H48B-TG/TS-RO-M40/M40 H48B HOOD, TOP/SIDE ENTRY M40, 2 EAR, POWDER COATED, GREY H48B上壳, 顶/侧出M40, 2耳, 灰色粉末喷涂 | M40 | M40 | - | |
| T13204805040-000 | H48B-TG/TS-RO-M50/M40 H48B HOOD, TOP/SIDE ENTRY M50, SIDE ENTRY M40, 2 EAR, POWDER COATED, GREY H48B上壳, 顶出M50, 侧出M40, 2耳, 灰色粉末喷涂 | M40 | M50 | - | |
| T1320480225-000 | H48B-TG-RO-2M25 H48B HOOD, TOP ENTRY 2M25, 2 EAR, POWDER COATED, GREY H48B上壳, 顶出2M25, 2耳, 灰色粉末喷涂 | - | 2X M25 | - | TYPE 5 |
| T1320482520-000 | H48B-TG-3M25M20 H48B HOOD, TOP ENTRY 3M25, 1M20, 2 EAR, POWDER COATED, GREY H48B上壳, 顶出3M25, 1M20, 2耳, 灰色粉末喷涂 | - | 3X M25 | M20 | TYPE 6 |
| T1310480229-000 | H48B-TS-RO-2PG29 H48B HOOD, SIDE ENTRY 2PG29, 2 EAR, POWDER COATED, GREY H48B上壳, 侧出2PG29, 2耳, 灰色粉末喷涂 | PG29 | PG29 | - | TYPE 7 |

| | | | |
|---|--|---------------------------|------------------------------|
| THIS DRAWING IS A CONTROLLED DOCUMENT. | | OWN: DAVID LI 08JUN2015 | TE Connectivity |
| DIMENSIONS: | | CHK: CHRIS WANG 08JUN2015 | |
| TOLERANCES UNLESS OTHERWISE SPECIFIED: | | APVD: XU XIANG 08JUN2015 | |
| mm | | PRODUCT SPEC | |
| 0 PLC ± 1 PLC ± 2 PLC ± 3 PLC ± 4 PLC ± ANGLES ± | | NAME: H48B-TG/TS-RO-PG/M | |
| MATERIAL: | | SIZE: A1 | RESTRICTED TO |
| FINISH: | | CAGE CODE: - | DRAWING NO: C-T13X048XXXX000 |
| CUSTOMER DRAWING | | SCALE: 1:1 | SHEET 1 OF 1 REV B |

单击下面可查看定价，库存，交付和生命周期等信息

[>>TE Connectivity\(泰科\)](#)