

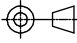


CODE 18 - DIRECT COUPLING, LOW PROFILE HEAT SHRINK BOOT BACKSHELL

218M516-19B

SERIES _____
 DASH NUMBER (TABLE 1) _____
 MANUFACTURER CODE _____
 SEE TABLE 2
 MATERIAL _____
 REFER TO CH00-0250-004
 FINISH _____
 REFER TO CH00-0250-004

NOTES:

1. THIS PRODUCT IS DESIGNED TO TERMINATE A HEAT SHRINKABLE LIPPED BOOT TO A CONNECTOR.
2. FOR ADDITIONAL DIMENSIONS, ORDERING INFORMATION AND MODIFICATION, SEE CH00-0250-004.
3. BACKSHELL TO BE PERMANENTLY MARKED/BAGGED AND LABELLED WITH CODE IDENTIFICATION NUMBER AND PART NUMBER. (e.g. 06090-218M516-19B).
4. BACKSHELL MATES TO MIL-DTL-5015D, CLASS A, E & R, MS3100, MS3101 & MS3106.
- ⑤ ALL THREAD SIZES FOR ORDER APPLY.
- ⑥ ADDITIONAL PIECE(S) SUPPLIED WHEN CONNECTOR MFR IS UNKNOWN (D IN TABLE 2)
- ⑦ OPTIONAL DESIGN FEATURE WHEN REQUIRED TO ALLOW SUFFICIENT SHOULDER FORWARD OF BOOT GROOVE

DRAWN	K.WINCZURA	DATE	25/09/2015	 3RD ANGLE PROJECTION NOT TO SCALE	TITLE: DIRECT COUPLING, LOW PROFILE HEAT SHRINK BOOT BACKSHELL	 Polamco 
CHECKED		25/09/2015				
APPROVED	K.SHEPPARD	25/09/2015	UNLESS OTHERWISE SPECIFIED ALL DIMENSIONS IN MILLIMETRES GENERAL TOL LINEAR +/-0.25MM ANGULAR +/- 1°			
APPROVED	H.SMITH	06/10/2015				
REVISIONS					ASSY USED ON:	
LTR	DESCRIPTION	DATE	APPROVED		MIL-DTL-5015D	
G	REVISED PER ECN AD93042					
H	REVISED PER ECO-15-014373	06/10/2015	H.SMITH			
TE CAGE CODE: 06090 POLAMCO/TE CAGE CODE: U5792					TE CONNECTIVITY - POLAMCO LTD RESERVES THE RIGHT TO AMEND THIS DRAWING AND TO AMEND THIS DRAWING SHOULD THEIR APPLICATION.	DRAWING NO: 218M5XX
					DRAWING REV: H	SHT 1

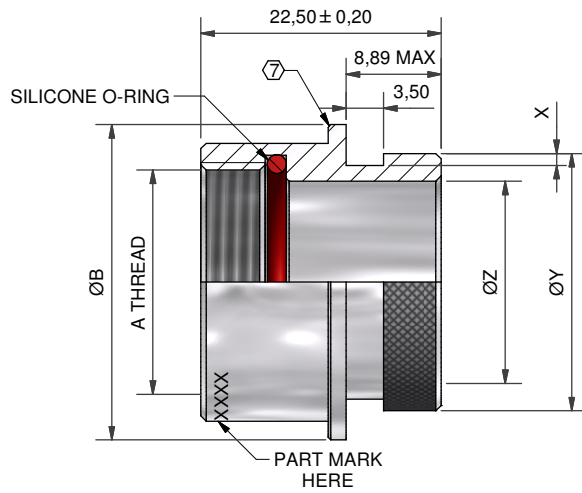
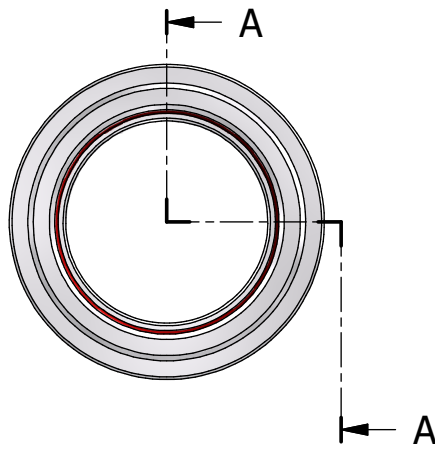
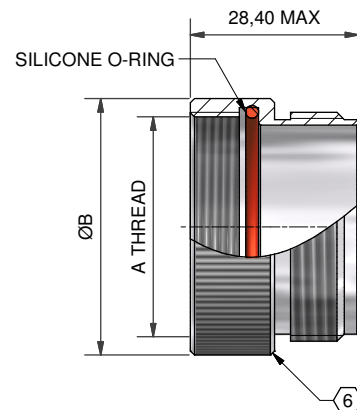


TABLE 1

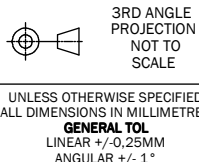
ORDER NUMBER	SHELL SIZE	MFR CODE TABLE 3	A THREAD	ØB MAX	ØZ MIN	ØY MAX	X +0,20/-0,00
08	8S	B	3/8-32 UNEF	20,1	6,22	13,16	1,11
	8S	C	7/16-28 UNEF	20,1	7,80	13,16	1,11
	8S	A, R	7/16-27 UNS	20,1	7,80	13,16	1,11
	8S	D (6)	(5)	20,1	7,80	13,16	1,11
10	10S	-	1/2-28 UNEF	20,1	9,40	14,99	1,11
11	10SL	C	9/16-24 UNEF	23,1	11,00	14,99	1,11
	10SL	A, B, R	5/8-24 UNEF	23,1	12,57	19,28	1,11
	10SL	D (6)	(5)	23,1	11,00	19,28	1,11
12	12 & 12S	B, C	5/8-24 UNEF	23,1	12,57	19,28	1,11
	12 & 12S	A, R	11/16-24 UNEF	24,6	14,15	19,28	1,11
	12 & 12S	D (6)	(5)	24,6	12,57	19,28	1,11
14	14 & 14S	-	3/4-20 UNEF	26,4	15,75	20,91	1,11
16	16 & 16S	-	7/8-20 UNEF	29,5	18,92	24,08	1,11
18	18	-	1-20 UNEF	32,8	20,50	26,07	1,11
20	20	A, B, C	1 1/8-18 UNEF	35,8	25,27	34,04	1,75
	20	R	1 1/8-24 UNS	35,8	25,27	34,04	1,75
	20	D (6)	(5)	35,8	25,27	34,04	1,75
22	22	-	1 1/4-18 UNEF	39,1	28,45	36,28	1,75
24	24	-	1 3/8-18 UNEF	42,2	31,62	40,49	1,75
28	28	-	1 5/8-18 UNEF	48,5	34,80	43,03	2,18
32	32	B, C	1 7/8-16 UN	54,9	41,15	48,37	2,18
	32	A, R	1 29/32-18 UN	54,9	41,15	48,37	2,18
	32	D (6)	(5)	54,9	41,15	48,37	2,18
36	36	B	2 1/16-16 UNS	61,2	47,50	54,72	2,18
	36	R	2 1/16-20 UNS	61,2	47,50	54,72	2,18
	36	C	2 1/8-16 UN	61,2	47,50	54,72	2,18
	36	A	2 1/8-18 UNS	61,2	47,50	54,72	2,18
	36	D (6)	(5)	61,2	47,50	54,72	2,18
40	40	B	2 5/16-16 UN	67,6	53,85	60,63	2,18
	40	A, C, R	2 3/8-16 UN	67,6	53,85	60,63	2,18
	40	D (6)	(5)	67,6	53,85	60,63	2,18
44	44	-	2 5/8-16 UN	74,6	60,20	67,10	2,18
48	48	C	2 13/16-18 UNS	81,0	66,55	73,46	2,18
	48	A, R	2 7/8-16 UN	81,0	66,55	73,46	2,18
	48	D (6)	(5)	81,0	66,55	73,46	2,18

TABLE 2

MFR CODE	CONNECTOR MANUFACTURER (MS 3100, MS 3101 & MS 3106)
A	AMPHENOL - CLASS A
B	BENDIX - CLASS A, E & R
C	CANNON - CLASS A, E & R
D	MFR UNKNOWN, CLASS A, E & R
R	AMPHENOL - CLASS R
-	MFR CODE NOT REQUIRED



DRAWN	K.WINCZURA	DATE	25/09/2015
CHECKED		DATE	25/09/2015
APPROVED	K.SHEPPARD	DATE	25/09/2015
APPROVED	H.SMITH	DATE	06/10/2015



TITLE: DIRECT COUPLING, LOW PROFILE HEAT SHRINK BOOT BACKSHELL

ASSY USED ON: MIL-DTL-5015D



REVISIONS			
LTR	DESCRIPTION	DATE	APPROVED
G	REVISED PER ECN AD93042		
H	REVISED PER ECO-15-014373	06/10/2015	H.SMITH

单击下面可查看定价，库存，交付和生命周期等信息

[>>TE Connectivity\(泰科\)](#)