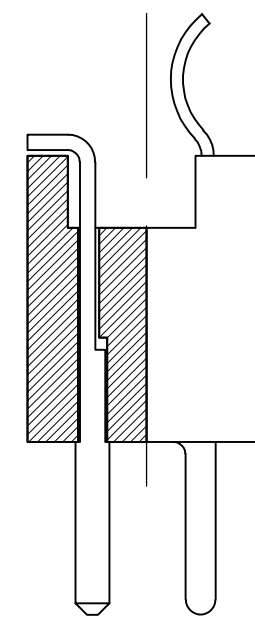
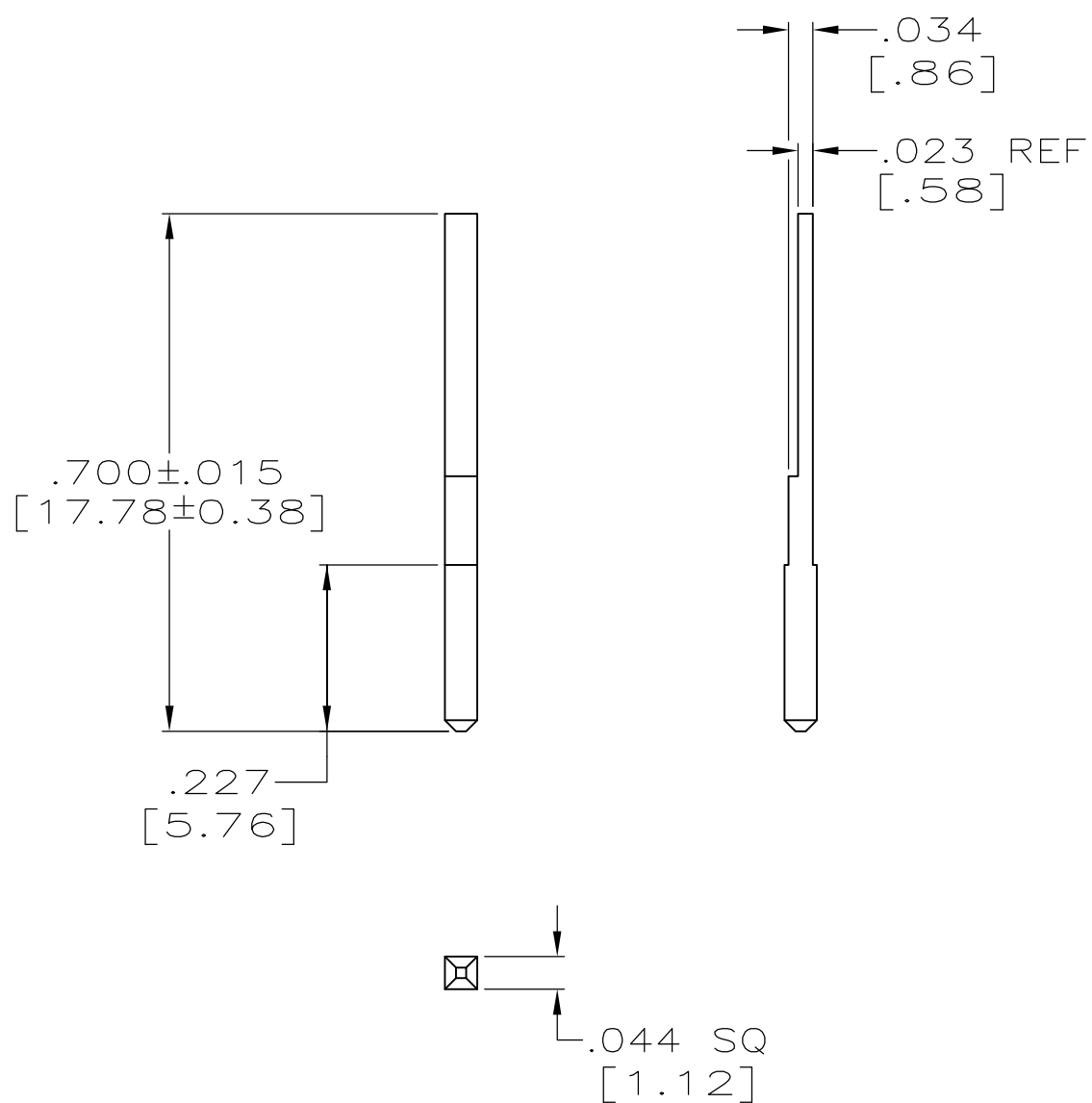


THIS DRAWING IS UNPUBLISHED. RELEASED FOR PUBLICATION
 © COPYRIGHT BY TYCO ELECTRONICS CORPORATION. ALL INTERNATIONAL RIGHTS RESERVED.

LOC	DIST	REVISIONS			
P	LTR	DESCRIPTION	DATE	DWN	APVD
	B	REVISED PER ECO-10-015533	09AUG10	PY	DM

APPLICATION INFORMATION:

1. REMOVE PIN AND RECEPTACLE CONTACTS IN DESIRED KEYING POSITIONS.
2. INSERT KEYING PIN IN PIN HEADER, SECURE BY BENDING OVER OUTSIDE EDGE OF HOUSING AND TRIM EXCESS MATERIAL.



M55302/31-03	530328-2
MILITARY PART NUMBER	PART NUMBER

THIS DRAWING IS A CONTROLLED DOCUMENT.		DWN T. ALEXANDER 12-14-94	Tyco Electronics Corporation Harrisburg, PA 17105-3608	
DIMENSIONS: mm	TOLERANCES UNLESS OTHERWISE SPECIFIED:	CHK D. MILLER 12-22-94	NAME SOLID KEYING PIN FOR BOX CONNECTORS	
	0 PLC ± -	APVD B. FOLEY 12-22-94	PRODUCT SPEC	
	1 PLC ± -	PRODUCT SPEC	APPLICATION SPEC	
	2 PLC ± -	WEIGHT	SIZE	CAGE CODE
	3 PLC ± .005 [.13]	MATERIAL BRASS	DRAWING NO	
4 PLC ± -	FINISH NICKEL PLATED		RESTRICTED TO	
ANGLES ± -		CUSTOMER DRAWING		SCALE
			A3	00779
			C-530328	
			4:1	1 OF 1
				REV B

单击下面可查看定价，库存，交付和生命周期等信息

[>>TE Connectivity\(泰科\)](#)