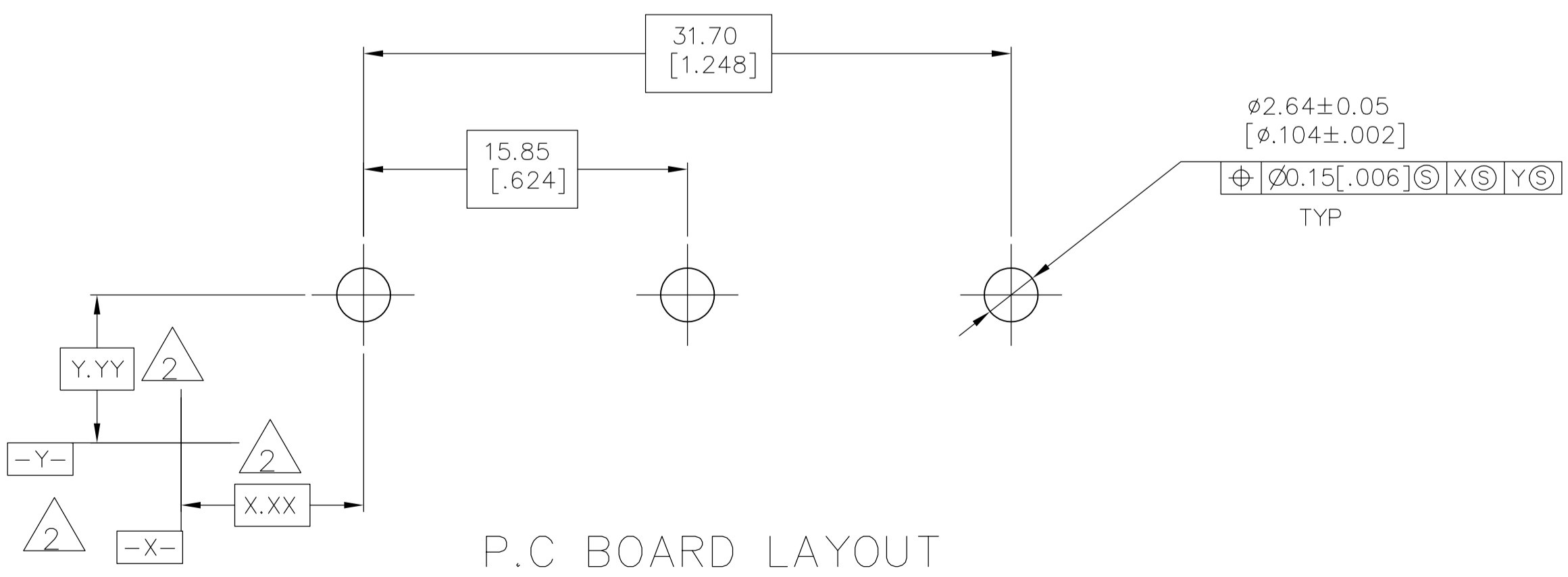
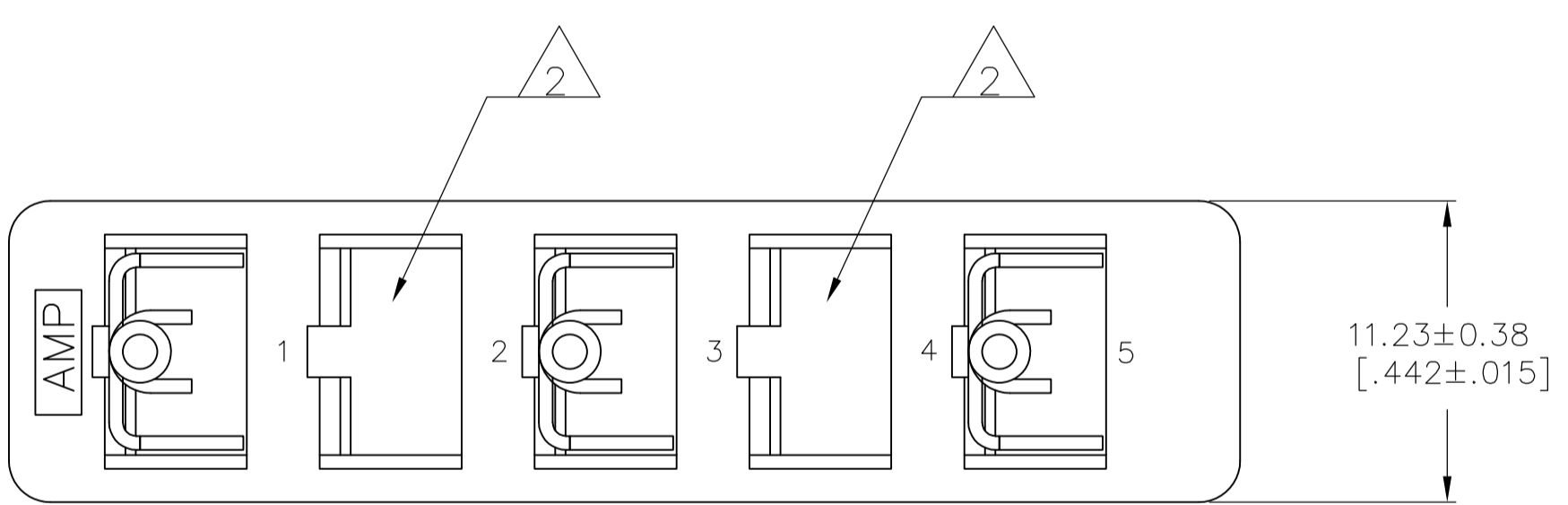
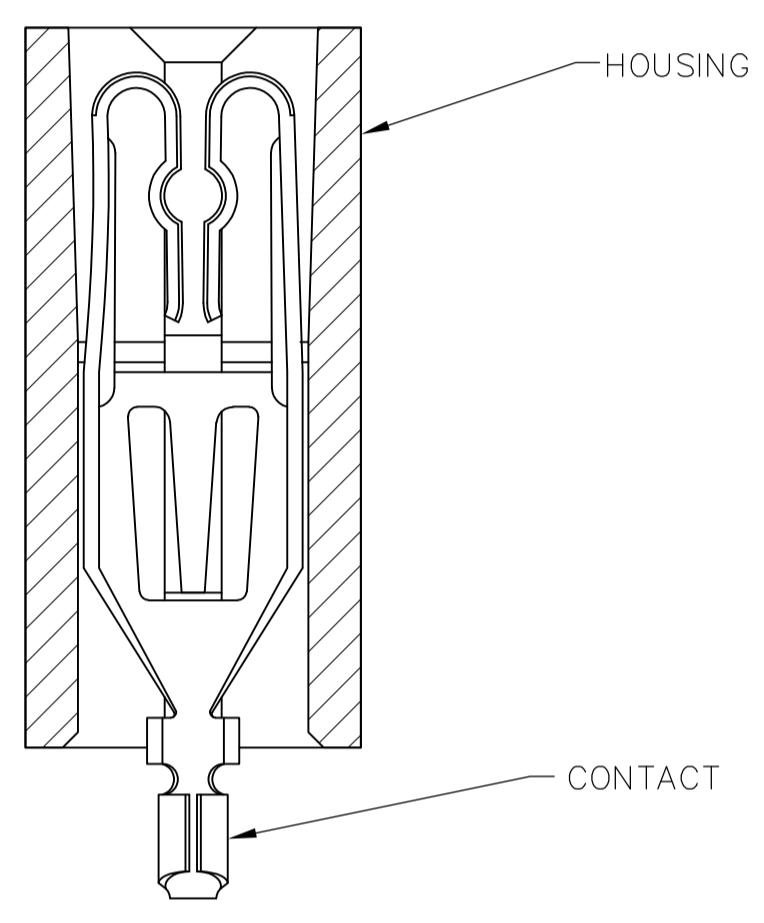
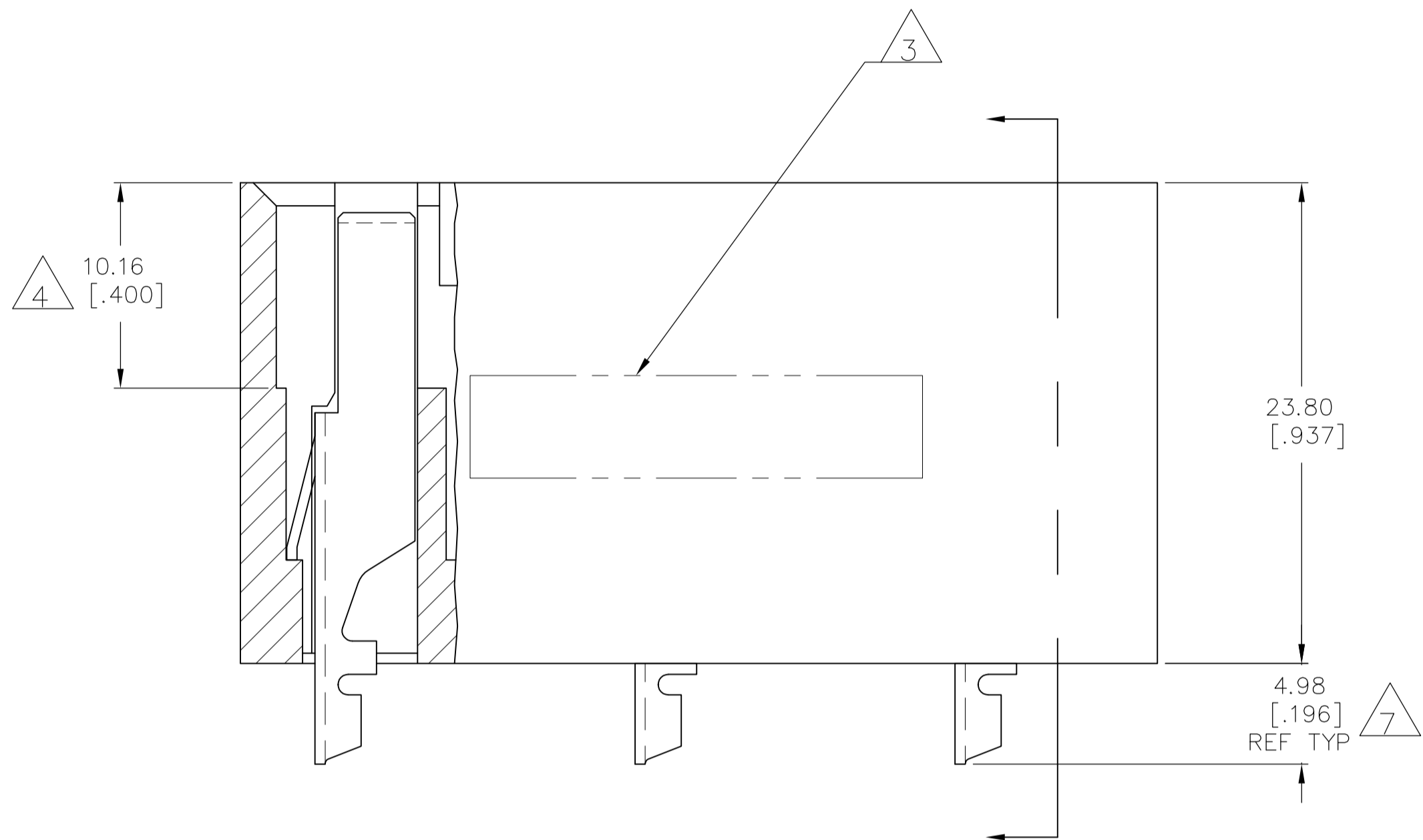
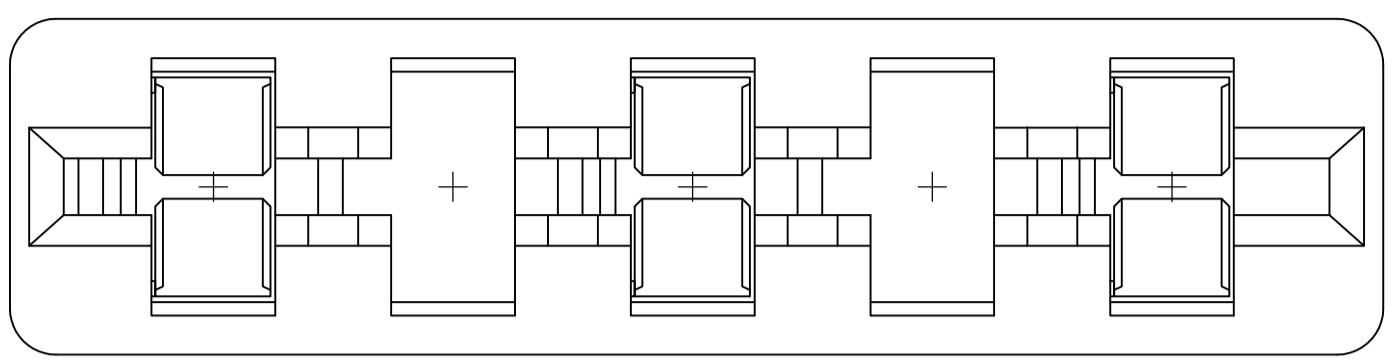


REVISIONS					
P	LTR	DESCRIPTION	DATE	DWN	APVD
C		REVISED PER ECO-16-006308	08AUG2016	NK	MM



- 1 INSERT A 1.57[.062] THICK DUMMY PC BOARD INTO CARD SLOT DURING SOLDERING PROCESS.
- 2 DATUMS AND DIMENSIONS ARE ESTABLISHED BY CUSTOMER.
- 3 PART NUMBER AND DATE CODE(OPTIONAL), LOCATED APPROXIMATELY AS SHOWN.
- 4 .400 DIMENSION REFERENCES CARD SLOT DEPTH.
- 5 HOUSING—GLASS FILLED POLYESTER, WHITE. CONTACTS—ALLOY CDA-194.
- 6 CONTACTS—3.81µm[.000150] MIN TIN—LEAD OVER 0.76µm[.000030] MIN NICKEL.
- 7 PIN LENGTH RECOMMENDED FOR USE WITH 3.18±0.51[.125±.020] THICK PRINTED CIRCUIT BOARD.
- 8 CONTACTS—3.81µm[.000150] MIN MATTE TIN OVER 0.76µm[.000030] MIN NICKEL.

5-145339-1
~~145339-1~~
 PART NO.

THIS DRAWING IS A CONTROLLED DOCUMENT.		DWN: M. MORRIS 25SEPT98	TE Connectivity
DIMENSIONS: mm [INCHES]		CHK: C. REIFSNYDER 25SEPT98	
TOLERANCES UNLESS OTHERWISE SPECIFIED:		NAME: C. REIFSNYDER 25SEPT98	PRODUCT SPEC: 108-9045
0 PLC ± -	1 PLC ± -	APPLICATION SPEC: 114-9005	RESTRICTED TO: -
2 PLC ± 0.13[.005]	3 PLC ± -	SIZE: A1	CAGE CODE: 00779
4 PLC ± -	ANGLES ± -	DRAWING NO: 145339	SCALE: 4:1
MATERIAL: 5	FINISH: 6	WEIGHT: -	SHEET 1 OF 1
CUSTOMER DRAWING		REV C	

单击下面可查看定价，库存，交付和生命周期等信息

[>>TE Connectivity\(泰科\)](#)