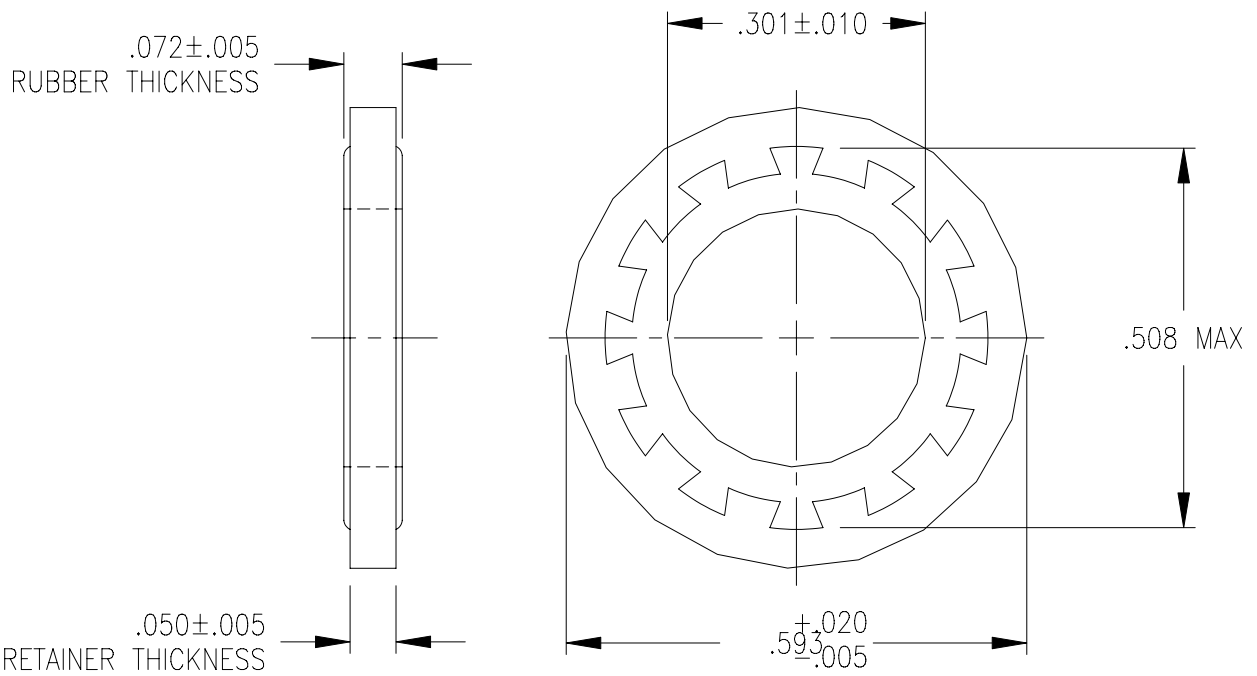




REVISIONS			
LTR	DESCRIPTION	DATE	APPROVED
N/C	INITIAL RELEASE PER DCR# T-31544	01/14/03	M. HIGGY



MATERIAL:  
 ELASTOMER: FLUOROSILICONE, PER MIL-R-25988, CLASS II, TYPE 1  
 WASHER: STAINLESS STEEL (302/304) PER MIL-S-5059, AMS 5513, ANNEALED,  
 PASSIVATE PER SAE AMS-QQ-P-35.

SPECIFICATION CONTROL DRAWING

UNLESS OTHERWISE SPECIFIED DIMENSIONS ARE IN INCHES. METRIC DIMENSIONS ARE IN BRACKETS.  DECIMALS .XXX ± _____ .XX ± _____ ANGLES _____	DRAWN	MFORONDA	01/14/03	<b>tyco</b> <b>Electronics</b>	<b>Raychem Products</b> 305 Constitution Drive Menlo Park, CA. 94025 USA	
	CHECKED					
	APPROVED	M.HIGGY	01/14/03	TITLE	SEALING WASHER	
	APPROVED			CAD NAME:	T31544.dwg	
WEIGHT ---	THIRD ANGLE PROJECTION		SIZE	CODE IDENT. NO.	DWG. NO.	REV.
				06090	<b>D-600-0053F</b>	N/C
			DO NOT SCALE THIS DRAWING			SHEET 1 OF 1



单击下面可查看定价，库存，交付和生命周期等信息

[>>TE Connectivity\(泰科\)](#)