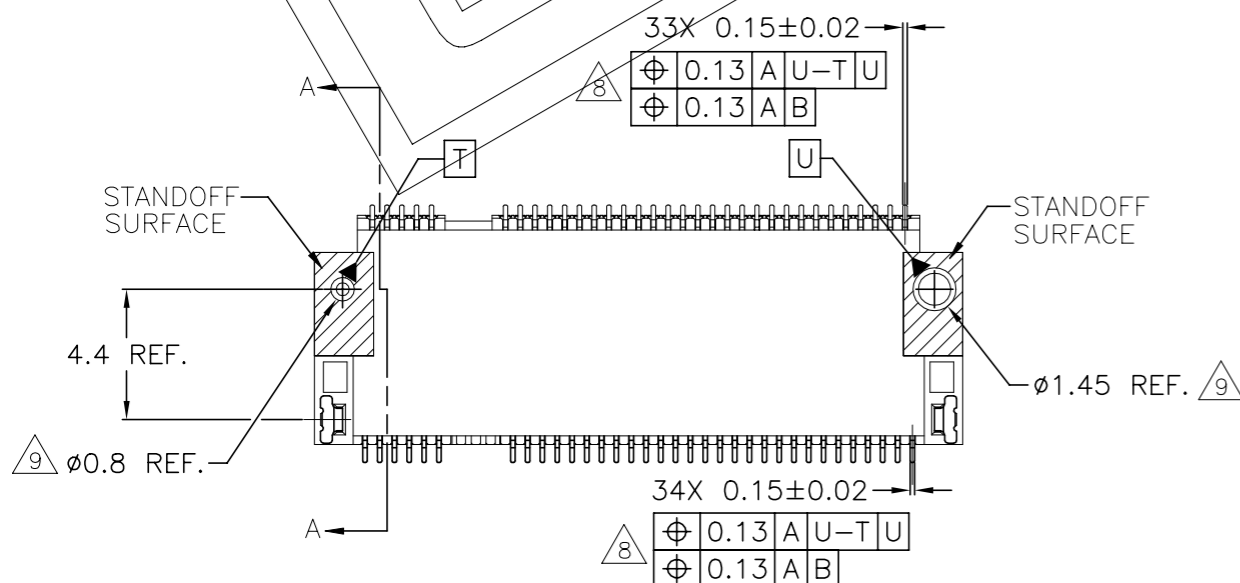
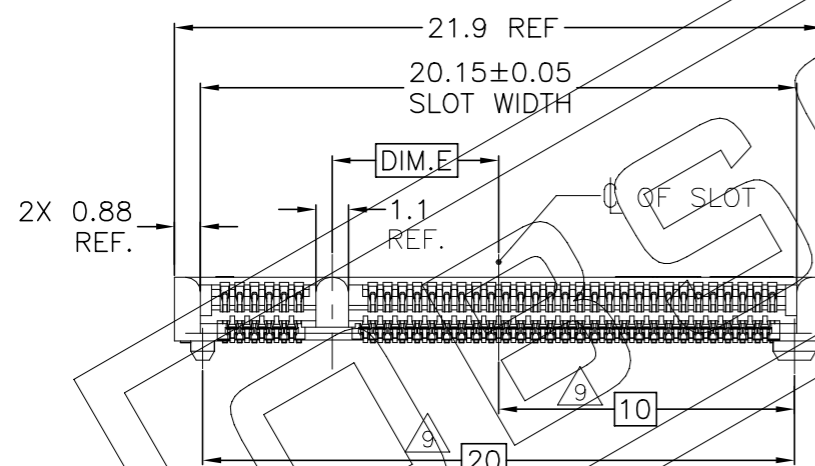
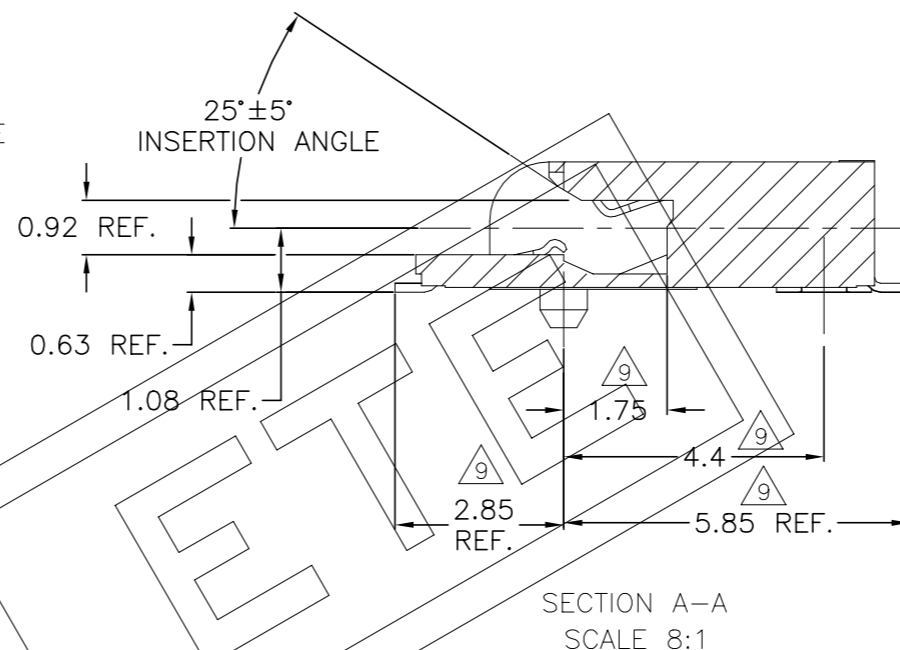
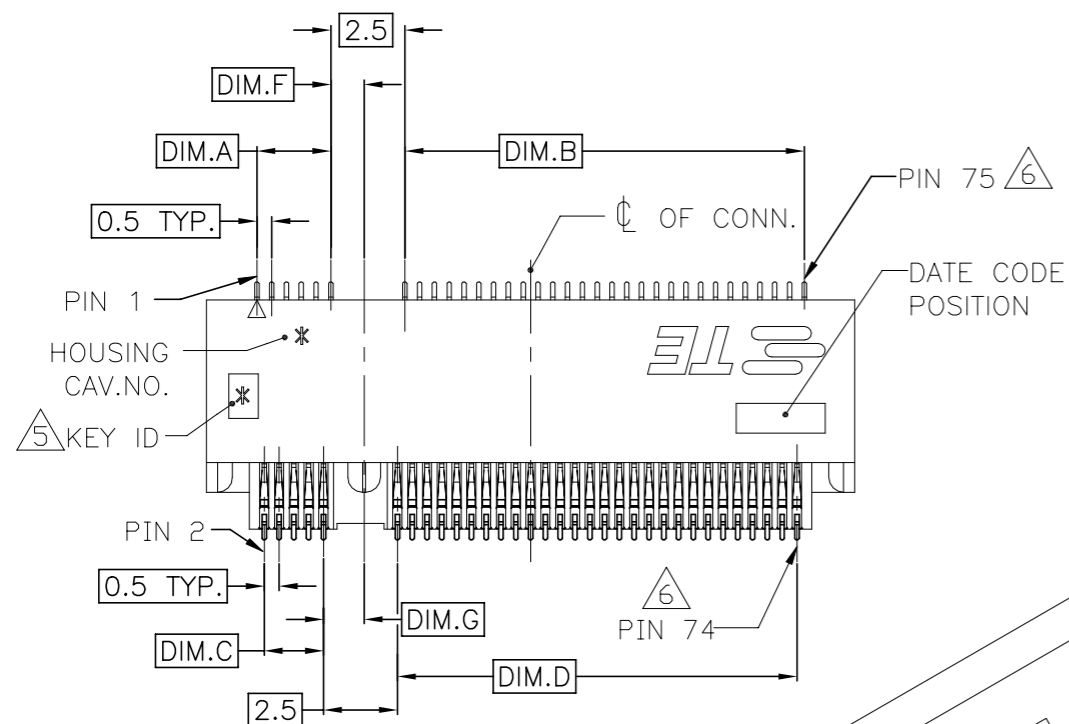


P	LTR	DESCRIPTION	DATE	DWN	APVD
	A3	PRODUCT DISCONTINUE	26MAY2020	EZ	DZ

NOTES:

- MATERIAL:
  - HOUSING : HIGH TEMPERATURE THERMOPLASTIC UL94V-0, COLOR: BLACK.
  - CONTACT: COPPER ALLOY.
  - SOLDER PEG: STAINLESS STEEL.
- FINISH:
  - CONTACT: UNDERCOAT NICKEL 50u" min. ALL OVER; MATING AREA: GOLD PLATING, THE THICKNESS SEE TABLE LIST; SOLDERABLE AREA: GOLDFLASH.
  - SOLDER PEG: UNDERCOAT: NICKEL 50u" min. ALL OVER SOLDERABLE AREA: MATTE TIN 100u" min.
- COPLANARITY: 0.10mm MAX.(BEFORE SOLDERING).
- ACCEPTED MODULE BASED ON INDUSTRY STD MO-XXX (TBD).
- KEY ID, "\*" IS A CAPITAL LETTER PER THE PART NO.
- THE PIN NO. DEFINITIONS ARE ACCORDING TO PCB FOOTPRINT, THE ACTUAL PIN QUANTITY IS ONLY 67 POS. FOR KEY TAKING OUT 8 POS.
- THE PRODUCT IS RoHS COMPLIANT, BR 900PPM MAX., CL 900PPM MAX. BR+CL 1500 PPM MAX.
- FOR BOSS TYPE, THE CONTACT TP'S DATUM IS U FOR BOLESS TYPE, THE CONTACT TP'S DATUM IS B.
- IGNORE THE DIM. FOR BOSSLSS TYPE.
- LOCAL DIM. NOT INCLUDING THE WARPAGE IMPACT.



THIS DRAWING IS A CONTROLLED DOCUMENT.

DIMENSIONS: mm

TOLERANCES UNLESS OTHERWISE SPECIFIED:

0 PLC	± 0.30
1 PLC	± 0.30
2 PLC	± 0.20
3 PLC	± 0.10
4 PLC	± 0.10
ANGLES	± 3°

MATERIAL FINISH

DWN SIMON WU 14FEB2012

CHK SIMON LI 14FEB2012

APVD COREL WANG 14FEB2012

PRODUCT SPEC

SEE TABLE

APPLICATION SPEC

114-115006

WEIGHT 0.38 G

CUSTOMER DRAWING

**STE** TE Connectivity Ltd.

M.2(NGFF) MINI CARD MOUNTING TYPE  
0.50mm PITCH 67 POS. 2.25mm HEIGHT  
FOR SINGLE SIDED MODULE

SIZE	CAGE CODE	DRAWING NO	RESTRICTED TO
A3	00779	C=2199125	-

SCALE 4:1 SHEET 1 OF 4 REV A3

REVISIONS

P	LTR	DESCRIPTION	DATE	DWN	APVD
-	-	SEE SHEET 1	-	-	-

NOTE: (APPLIED ONLY ON THIS SHEET)

1. MINUS DATA OF KEY E MEANS THE CENTERLINE OF KEY IS ON THE RIGHT SIDE IN PAGE 1.

TOOLING STATUS	KEY ID.	PRODUCT SPEC.	BOSS TYPE	GOLD SPEC.	DIM. G	DIM. F	DIM. E	DIM. D	DIM. C	DIM. B	DIM. A	PART NO.	
AVAILABLE	M E B A	108-115042	WITH BOSS	10u" MIN.	1.125	1.375	-6.125	1.5	14.0	2.0	14.0	1-2199125-9	
					1.375	1.125	2.625	10.5	5.0	10.5	5.5	1-2199125-8	
					1.375	1.125	5.625	13.5	2.0	13.5	2.5	1-2199125-7	
					1.375	1.125	6.625	14.5	1.0	14.5	1.5	1-2199125-6	
AVAILABLE	M	108-115042	WITH BOSS	30u" MIN.	1.125	1.375	-6.125	1.5	14.0	2.0	14.0	1-2199125-5	
												15u" MIN.	1-2199125-4
												GOLD FLASH	1-2199125-3
NOT AVAILABLE	E	108-115042	BOSSLESS	30u" MIN.	1.375	1.125	2.625	10.5	5.0	10.5	5.5	1-2199125-2	
												15u" MIN.	1-2199125-1
												GOLD FLASH	1-2199125-0
												30u" MIN.	2199125-9
AVAILABLE	A E B E B E B	108-115042	WITH BOSS	30u" MIN.	1.375	1.125	6.625	14.5	1.0	14.5	1.5	2199125-8	
												15u" MIN.	2199125-7
												GOLD FLASH	2199125-6
												30u" MIN.	2199125-5
												15u" MIN.	2199125-4
												5.625	2199125-3
												2.625	2199125-2
												5.625	2199125-1
												2.625	2199125-0
												5.625	2199125-9
5.625	2199125-8												
AVAILABLE	E B E	108-115049	WITH BOSS	30u" MIN.	1.375	1.125	2.625	10.5	5.0	10.5	5.5	2199125-6	
												15u" MIN.	2199125-5
												GOLD FLASH	2199125-4
AVAILABLE	E B E	108-115049	WITH BOSS	30u" MIN.	1.375	1.125	2.625	10.5	5.0	10.5	5.5	2199125-3	
												15u" MIN.	2199125-2
												GOLD FLASH	2199125-1

THIS DRAWING IS A CONTROLLED DOCUMENT.

DIMENSIONS: mm	TOLERANCES UNLESS OTHERWISE SPECIFIED:
	0 PLC ± 0.30
	1 PLC ± 0.30
	2 PLC ± 0.20
	3 PLC ± 0.10
	4 PLC ± -
	ANGLES ± 3'

MATERIAL	FINISH
-	-

DWN	14FEB2012
SIMON WU	
CHK	14FEB2012
SIMON LI	
APVD	14FEB2012
COREL WANG	
PRODUCT SPEC	
APPLICATION SPEC	
WEIGHT	
CUSTOMER DRAWING	

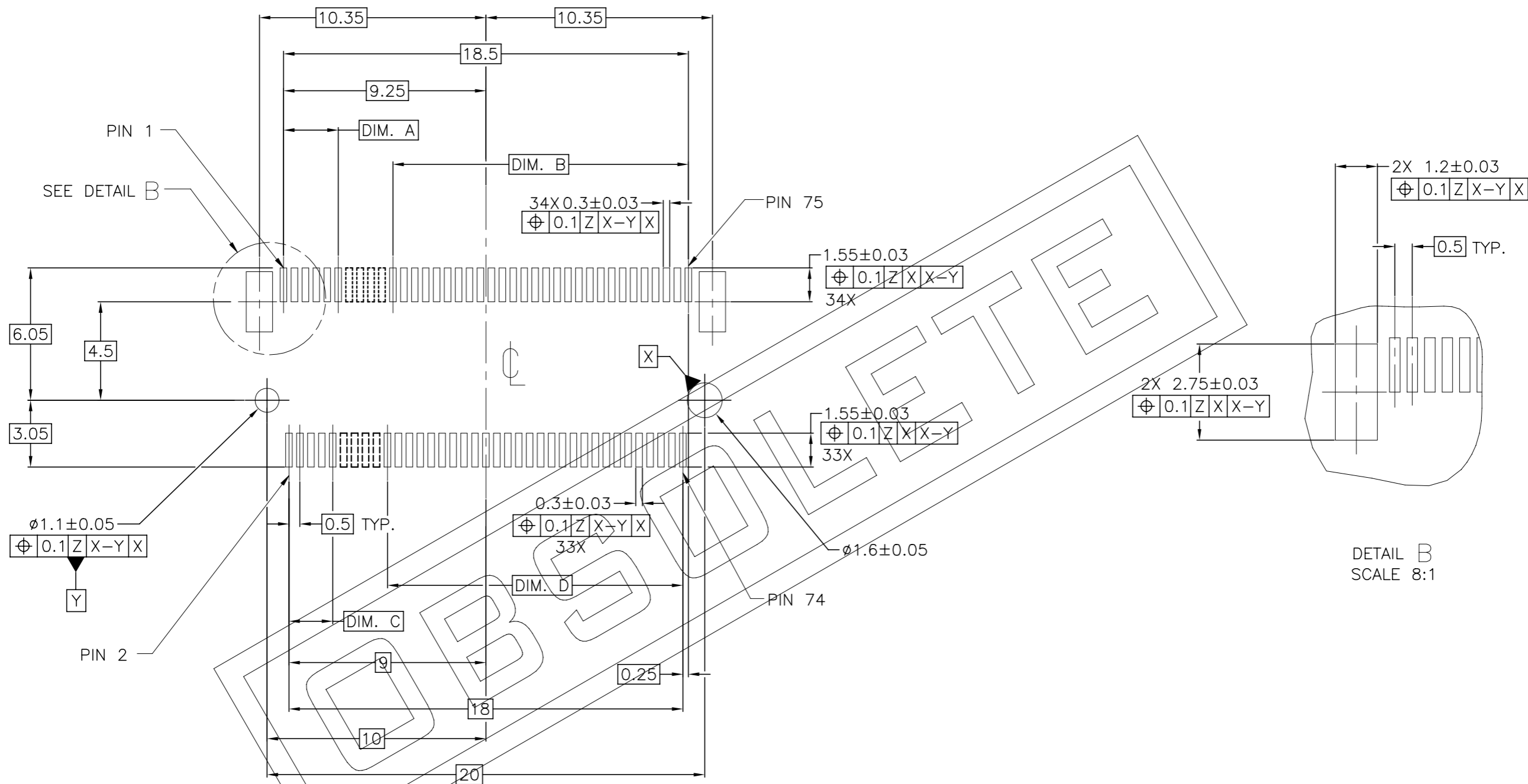
**STE** TE Connectivity Ltd.

NAME: M.2(NGFF) MINI CARD MOUNTING TYPE  
0.50mm PITCH 67 POS. 2.25mm HEIGHT  
FOR SINGLE SIDED MODULE

SIZE	CAGE CODE	DRAWING NO	RESTRICTED TO
A3	00779	C=2199125	-


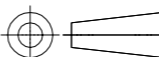
SCALE 4:1 SHEET 2 OF 4 REV A3

P	LTR	DESCRIPTION	DATE	DWN	APVD
-	-	SEE SHEET 1	-	-	-



RECOMMENDED NGFF MINI CARD MOUNTING TYPE\_SMT\_PCB OUTLINE  
 DATUM Z: PCB SOLDER SURFACE

M	1.5	14.0	2.0	14.0
E	10.5	5.0	10.5	5.5
B	13.5	2.0	13.5	2.5
A	14.5	1.0	14.5	1.5
KEY ID.	DIM. D	DIM. C	DIM. B	DIM. A

THIS DRAWING IS A CONTROLLED DOCUMENT.		DWN SIMON WU 14FEB2012	 TE Connectivity Ltd.	
		CHK SIMON LI 14FEB2012		
		APVD COREL WANG 14FEB2012	NAME	
DIMENSIONS: mm 		PRODUCT SPEC APPLICATION SPEC WEIGHT		M.2(NGFF) MINI CARD MOUNTING TYPE 0.50mm PITCH 67 POS. 2.25mm HEIGHT FOR SINGLE SIDED MODULE
TOLERANCES UNLESS OTHERWISE SPECIFIED: 0 PLC ± 0.30 1 PLC ± 0.30 2 PLC ± 0.20 3 PLC ± 0.10 4 PLC ± - ANGLES ± 3°		SIZE A3		RESTRICTED TO -
MATERIAL		FINISH		CAGE CODE 00779
		CUSTOMER DRAWING		DRAWING NO C=2199125
		SCALE 5:1		SHEET 3 OF 4 REV A3

4 3 2 1

© - TE Connectivity. All Rights Reserved. REVISIONS

P	LTR	DESCRIPTION	DATE	DWN	APVD
-	-	SEE SHEET 1	-	-	-

PEELING DIRECTION  
PEELING ANGLE 165°~180°  
Ø3.80  
Ø1.3

7.6

SECTION A-A

NOTES: (APPLIED TO CURRENT SHEET)

1. THE DIRECTION OF EACH CONNECTOR ON A EMBOSS IS REFERRED TO THIS DRAWING.
2. GENERAL TOLERANCE: ±0.5, ±3°
3. PACKAGED IN EMBOSS TAPE AND PLASTIC REEL 1500PCS PER REEL.

4.00±0.1 <10X4=40>±0.2  
2.11±0.1 6.87 3.86 2.00  
1.75±0.1 20.20±0.1 44.00±0.30  
0.40±0.05 19.43 22.22  
16.00 2.54 3.24  
0.2±0.05 Ø1.5  
Ø2.0  
SECTION B-B  
USER DIRECTION

Ø1.5  
0.2±0.05  
VIEW X  
<5:1>

THIS DRAWING IS A CONTROLLED DOCUMENT.		DWN SIMON WU 14FEB2012	TE Connectivity Ltd.					
		CHK SIMON LI 14FEB2012						
		APVD COREL WANG 14FEB2012	NAME					
		PRODUCT SPEC	M.2(NGFF) MINI CARD MOUNTING TYPE 0.50mm PITCH 67 POS. 2.25mm HEIGHT FOR SINGLE SIDED MODULE					
		APPLICATION SPEC	SIZE	CAGE CODE	DRAWING NO	RESTRICTED TO		
		WEIGHT	A3	00779	C=2199125	-		
MATERIAL		FINISH	CUSTOMER DRAWING			SCALE N/A	SHEET 4 OF 4	REV A3

1470-19 (1/15) Downloaded From [Onezac.com](http://Onezac.com)

单击下面可查看定价，库存，交付和生命周期等信息

[>>TE Connectivity\(泰科\)](#)