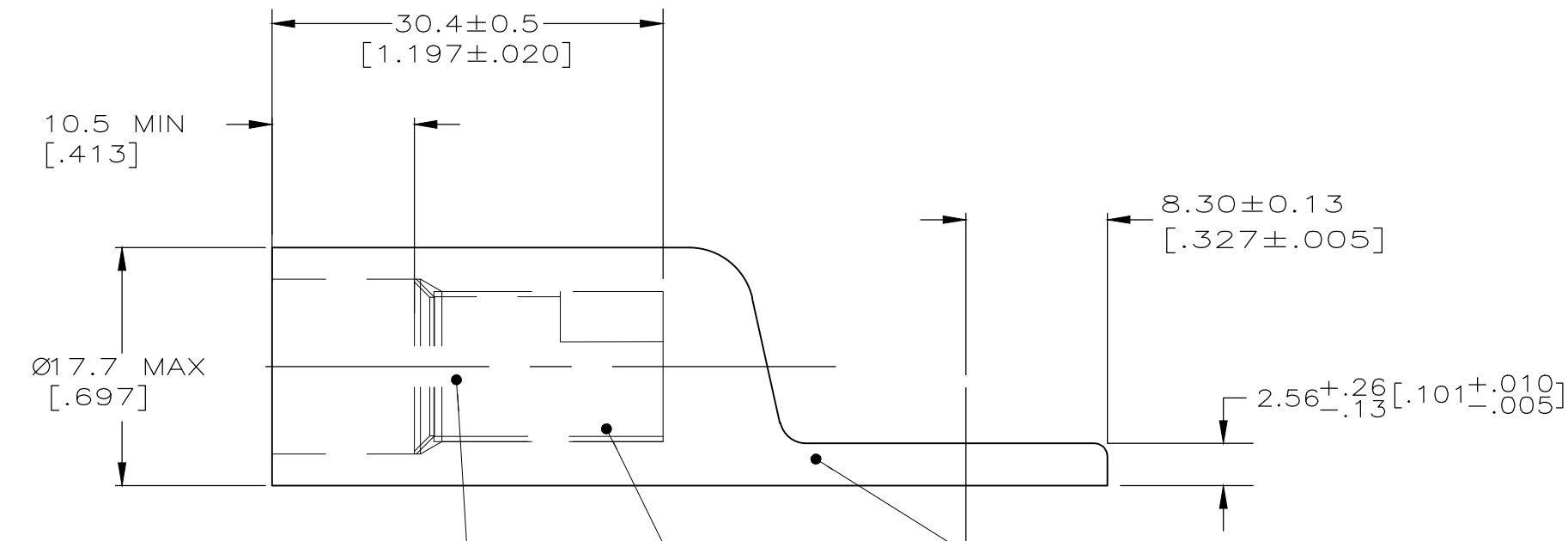
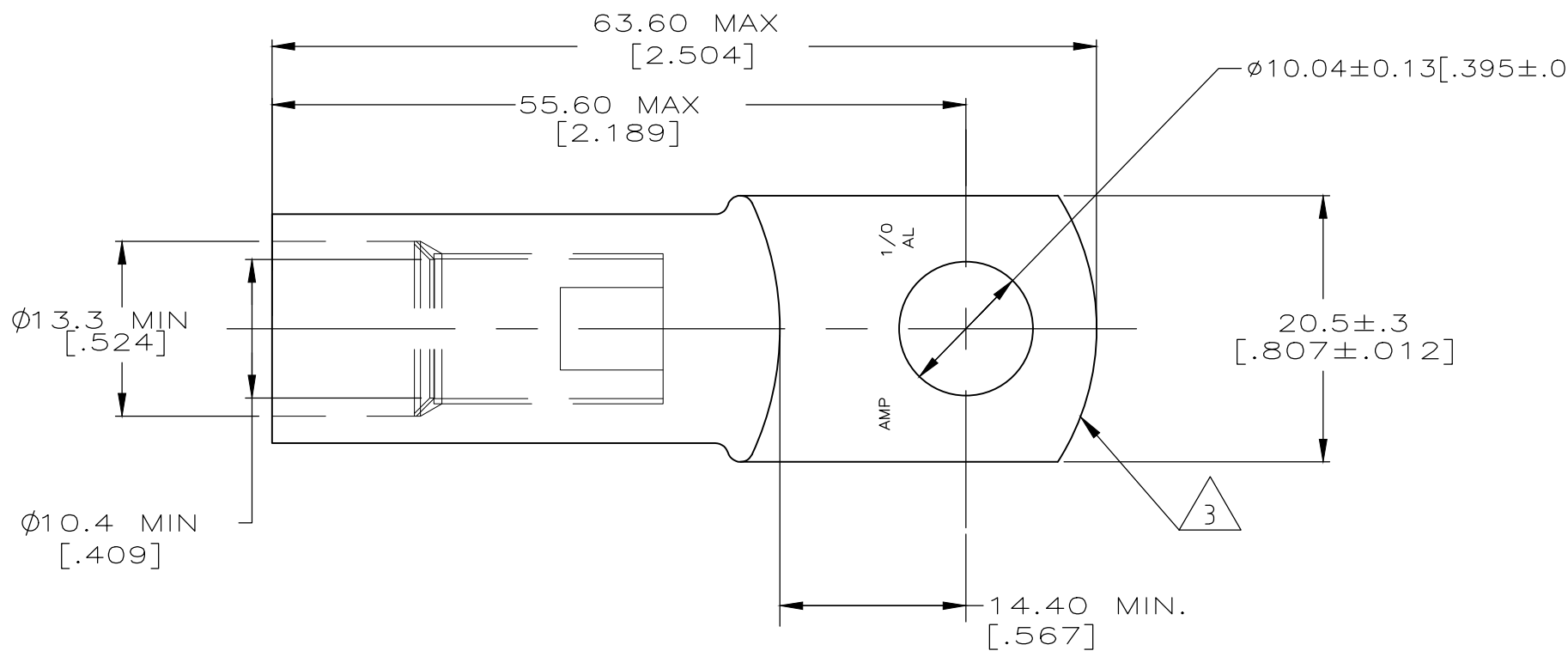


P	LTR	DESCRIPTION	DATE	DWN	APVD
	H	REV PER ECO 20-002238	7-21-20	CT	PD



BODY: COPPER ASTM-B187 ANNEALED  
TIN PLATE .00381 [.000150] MIN THICK  
PER MIL-T-10727

INSERT & FUNNEL: BRASS ASTM B36  
NICKEL PLATE SAE AMS QQ-N-290A,  
DATED JULY 2000,.00254 [.000100] MIN  
THICK

FUNNEL RING      INSERT      BODY

1. WIRE INSULATOR : 10.8 [.425] TO 11.9 [.469]
2. WIRE CMA: 83700 TO 119500
3. THE TONGUE RADIUS FEATURE IS NOT A TOOLING CONTROLLED DIMENSION AND MAY NOT BE A TRUE RADIUS
4. WEIGHT: 55 GRAMS

THIS DRAWING IS A CONTROLLED DOCUMENT.		DWN G.ROBERT MAI 89	TE Connectivity NAME SEALED COPALUM SIZE CAGE CODE DRAWING NO RESTRICTED TO											
DIMENSIONS: mm [INCHES]		CHK G.ROBERT 16-JAN-97												
TOLERANCES UNLESS OTHERWISE SPECIFIED:		APVD G.ROBERT 16-JAN-97												
<table border="1"> <tr><td>0 PLC</td><td>± -</td></tr> <tr><td>1 PLC</td><td>± -</td></tr> <tr><td>2 PLC</td><td>± -</td></tr> <tr><td>3 PLC</td><td>± -</td></tr> <tr><td>4 PLC</td><td>± -</td></tr> <tr><td>ANGLES</td><td>± -</td></tr> </table>		0 PLC				± -	1 PLC	± -	2 PLC	± -	3 PLC	± -	4 PLC	± -
0 PLC	± -													
1 PLC	± -													
2 PLC	± -													
3 PLC	± -													
4 PLC	± -													
ANGLES	± -													
MATERIAL SEE TABLE	FINISH SEE TABLE	APPLICATION SPEC -	WEIGHT 0.000000	A300779	C-134593									
CUSTOMER DRAWING			SCALE 2:1	SHEET 1 OF 1	REV H									

单击下面可查看定价，库存，交付和生命周期等信息

[>>TE Connectivity\(泰科\)](#)