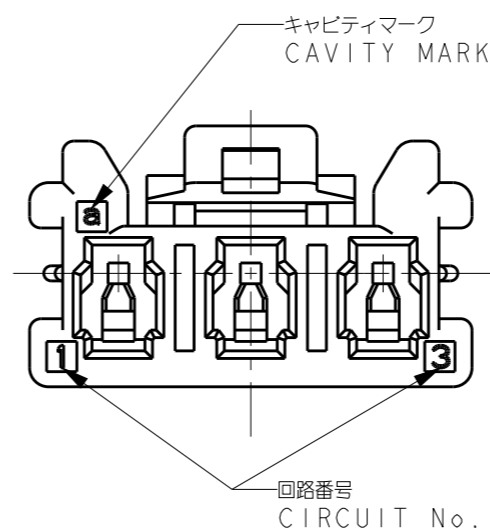
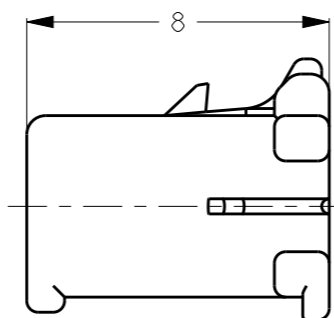
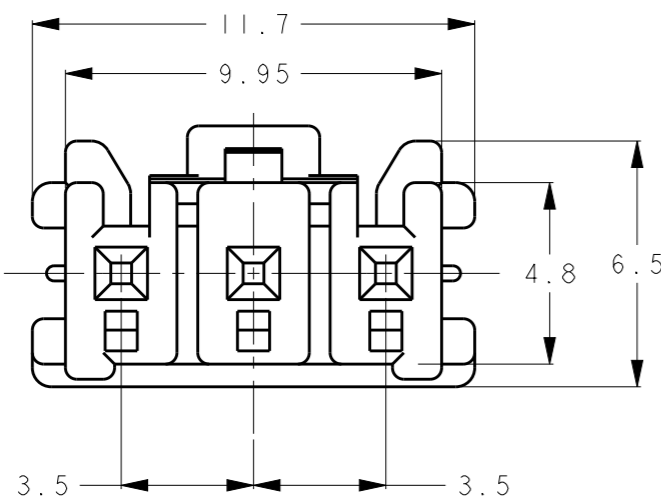
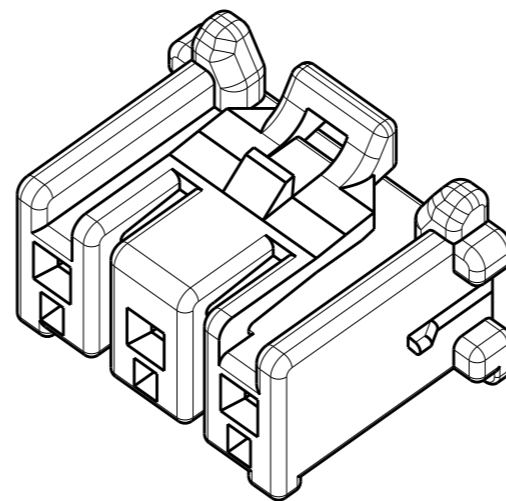
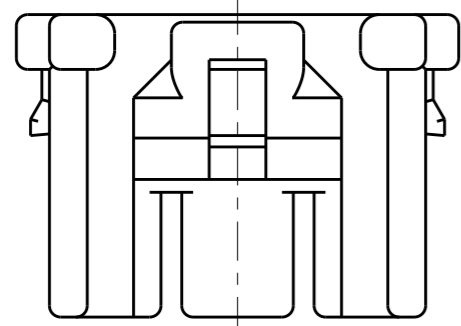
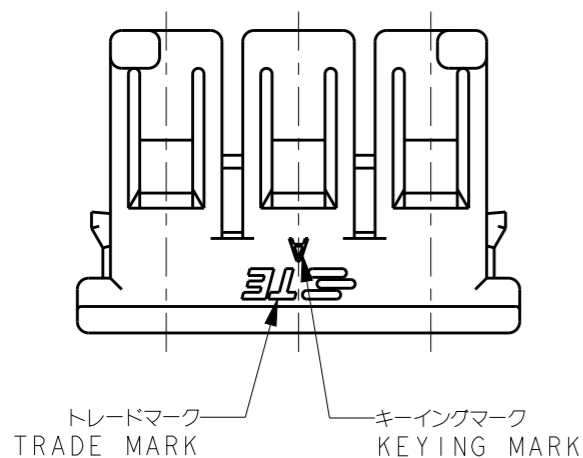
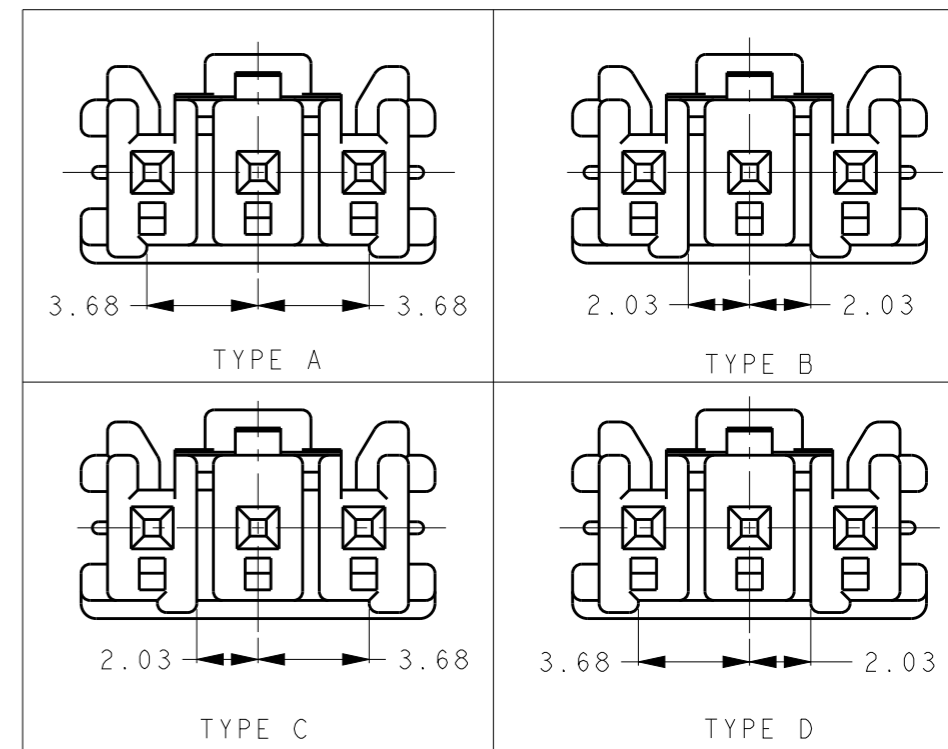


THIS DRAWING IS UNPUBLISHED. RELEASED FOR PUBLICATION XXXXX2011
 © COPYRIGHT 2011 BY Tyco Electronics Japan G.K. ALL RIGHTS RESERVED.

LOC	DIST	REVISIONS				
P	LTR	DESCRIPTION	DATE	DWN	APVD	
J	-	A	RELEASED	07SEP2015	K.S	D.Z



KEYING TYPE (SCALE 4:1)



- 1. 材料: 66ナイロン ガラス強化 (UL94V-0)
- 2. 適用端子製品型番: 1376476-1
- 1. MATERIAL: 66NYLON GLASS FILLED(UL94V-0)
- 2. APPLICABLE CONTACT P/N: 1376476-1

2229812-4	BLUE	TYPE-D	3POS	2229813-4
2229812-3	BROWN	TYPE-C	3POS	2229813-3
2229812-2	BLACK	TYPE-B	3POS	2229813-2
2229812-1	NATURAL	TYPE-A	3POS	2229813-1
嵌合相手製品型番 MATING CONN. P/N	色 COLOR	キーイングタイプ TYPE OF KEYING	極数 POS.	型番 PART NO.

THIS DRAWING IS A CONTROLLED DOCUMENT.		DWN K.SAKAI 07SEP2015	TE Connectivity				
DIMENSIONS: mm		CHK DANIEL ZHANG 07SEP2015			NAME PLUG HOUSING MOTOR I/O CONNECTOR		
TOLERANCES UNLESS OTHERWISE SPECIFIED: ±0.2		APVD DANIEL ZHANG 07SEP2015					
0 PLC ± 1 PLC ± 2 PLC ± 3 PLC ± 4 PLC ± ANGLES ±3°		PRODUCT SPEC 108-78982					
MATERIAL		APPLICATION SPEC 114-5286	SIZE A3	CAGE CODE 00779	DRAWING NO C-2229813	RESTRICTED TO -	
FINISH		WEIGHT 0.33g	SCALE 4:1		SHEET 1	OF 1	REV A
		Customer Drawing					

单击下面可查看定价，库存，交付和生命周期等信息

[>>TE Connectivity\(泰科\)](#)