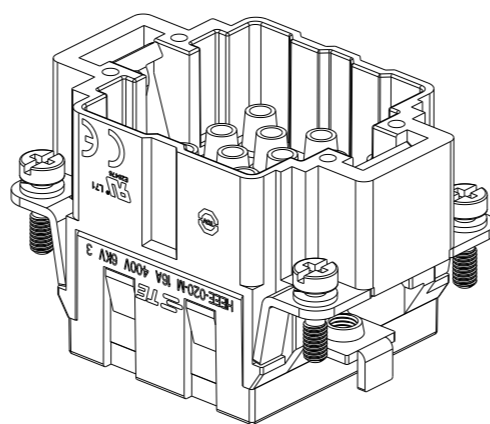
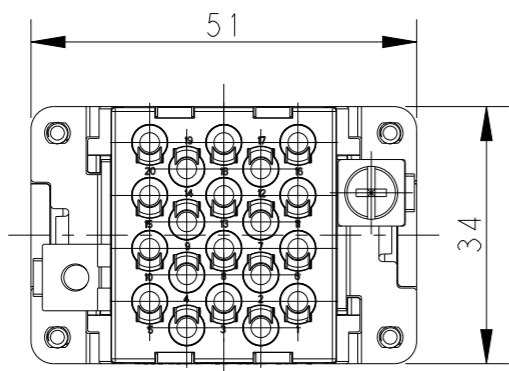


REVISIONS

P	LTR	DESCRIPTION	DATE	DWN	APVD
A		INITIAL RELEASE	18DEC2014	HMR	CW
B		ECR-15-015267	19OCT2015	DW	CW
C		ECR-21-111798	31AUG2021	WQR	CW



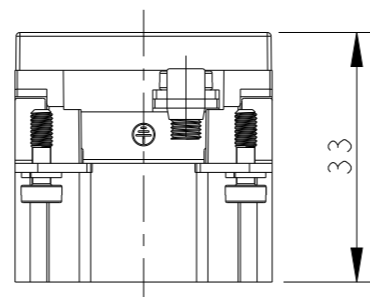
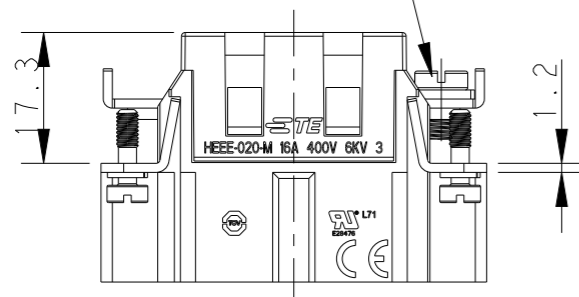
NOTES:

- TECHNICAL CHARACTERISTICS:
 INSULATION MATERIAL: PC
 RATED VOLTAGE: 400V
 RATED CURRENT: 16A
 INSULATION RESISTANCE: $\geq 400M\Omega$
 RATED IMPULSE VOLTAGE: 6KV
 POLLUTION DEGREE: 3
 FLAMMABILITY: UL94V-0
 MATING CYCLES: 500 CYCLES
 OPERATION TEMPERATURE: $-40^{\circ}C \sim +125^{\circ}C$
 WIRE RANGE: $0.14mm^2 \sim 4mm^2$ (AWG26-AWG12)
 CONTACT TYPE: CRIMP CONTACT
- CONTACTS NEED TO BE ORDERED SEPARATELY.
 (ORDER No. REFER TO DRAWING: T20300X10XX000)

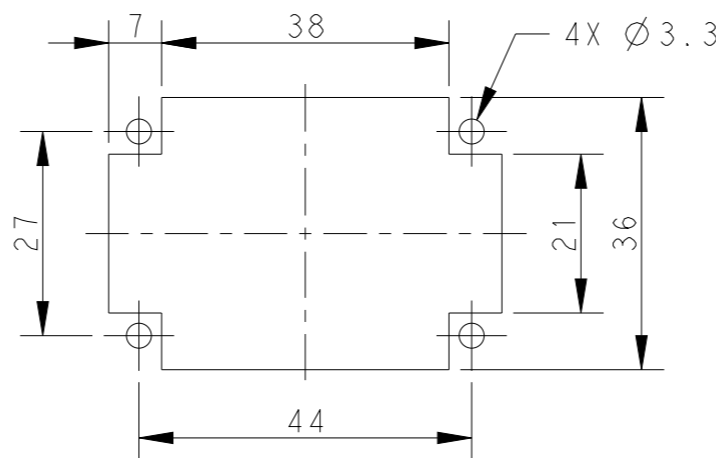
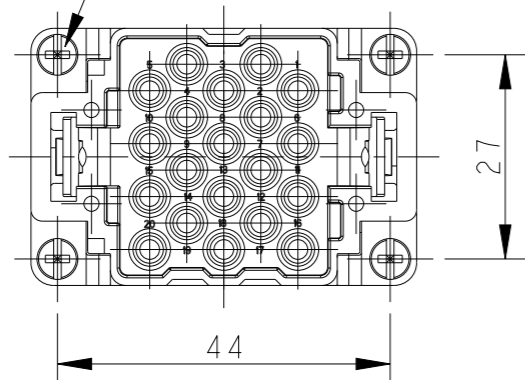
注释:

- 技术参数:
 绝缘材料: PC
 额定电压: 400V
 额定电流: 16A
 绝缘电阻: $\geq 400M\Omega$
 脉冲电压: 6KV
 污染等级: 3
 阻燃等级: UL94V-0
 插拔次数: 500次
 工作温度: $-40^{\circ}C \sim +125^{\circ}C$
 接线范围: $0.14mm^2 \sim 4mm^2$ (AWG26-AWG12)
 接线类型: 冷压接
- 端子需要单独订购。
 (订货号参考图面: T20300X10XX000)

M4 THREAD RECOMMENDED TIGHTENING TORQUE 1.2Nm




4X M3 THREAD, RECOMMENDED TIGHTENING TORQUE 0.5Nm



PANEL CUT FOR INSERTS FOR USE WITHOUT HOODS/ HOUSINGS

HEEE-020-M	T2050202101-000
DESCRIPTION	PART NUMBER

THIS DRAWING IS A CONTROLLED DOCUMENT.		DWN 18DEC2014 RAGHAVENDRA H M	 TE Connectivity	
DIMENSIONS: mm		CHK 18DEC2014 CHRIS WANG		
TOLERANCES UNLESS OTHERWISE SPECIFIED:		APVD 18DEC2014 XU XIANG	NAME HEEE-020-M	
0 PLC	±-	PRODUCT SPEC	108-137068	
1 PLC	±-	APPLICATION SPEC	114-137068	
2 PLC	±-	WEIGHT	-	
3 PLC	±-	Customer Drawing	SIZE A3	CAGE CODE 00779
4 PLC	±-		DRAWING NO	T2050202101000
ANGLES	±-		RESTRICTED TO	-
MATERIAL	FINISH		SCALE	1:1
-	-		SHEET	1 OF 1
-	-		REV	C

单击下面可查看定价，库存，交付和生命周期等信息

[>>TE Connectivity\(泰科\)](#)