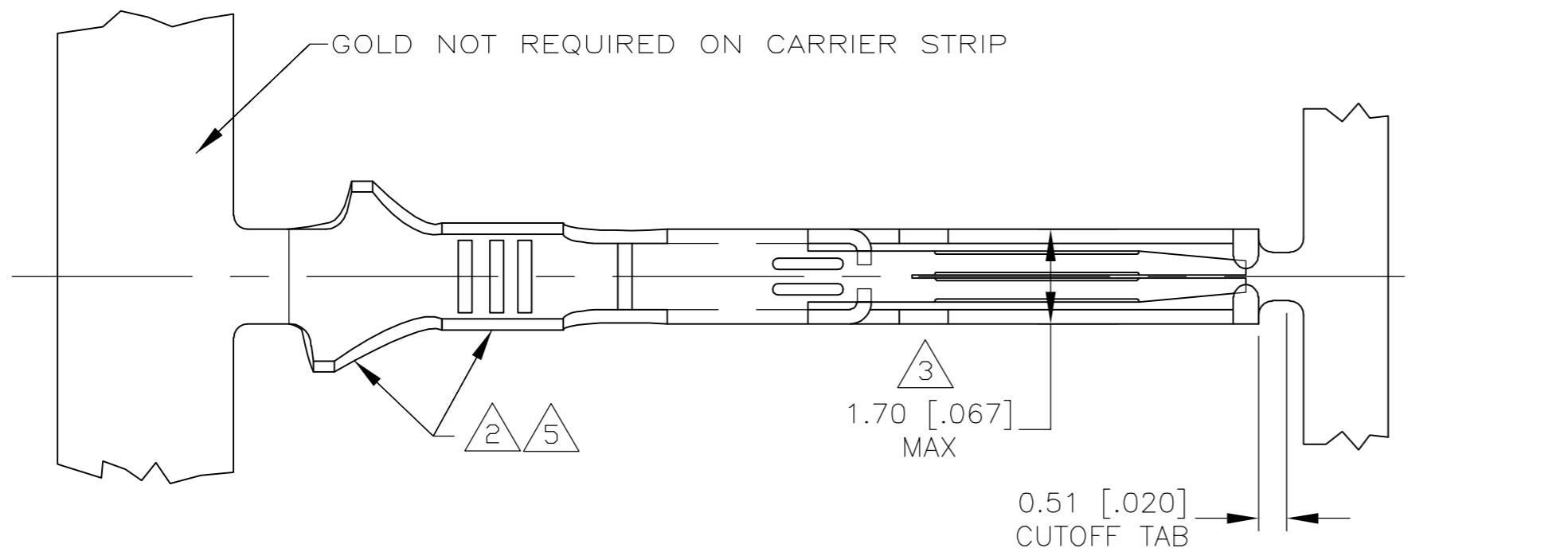
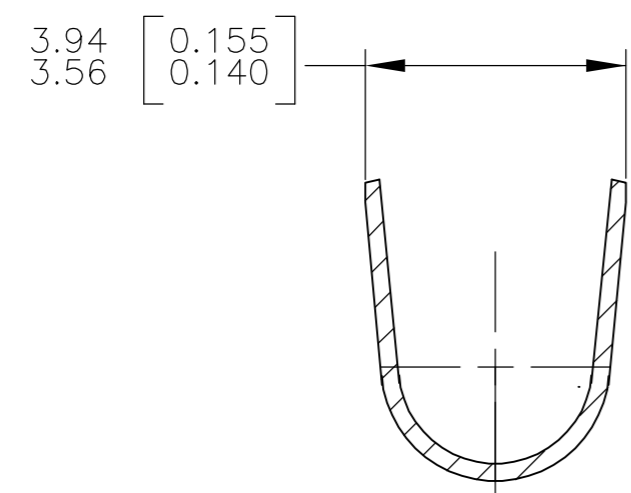
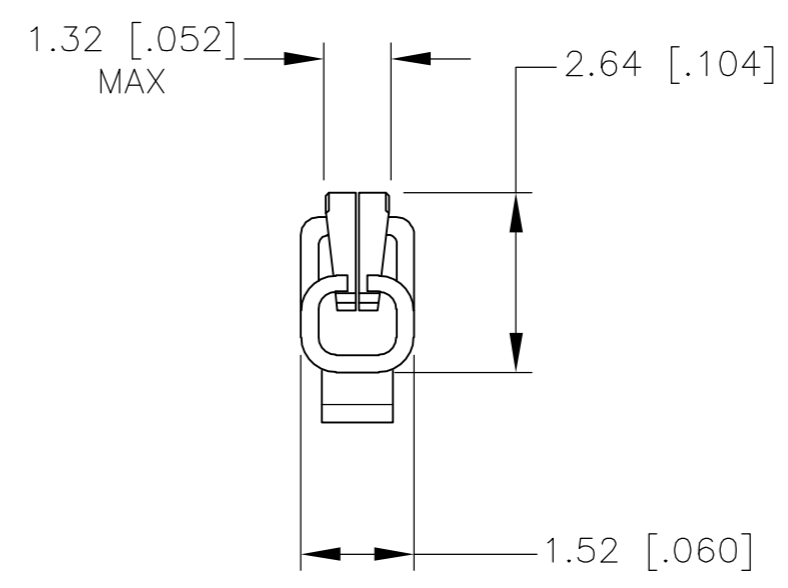
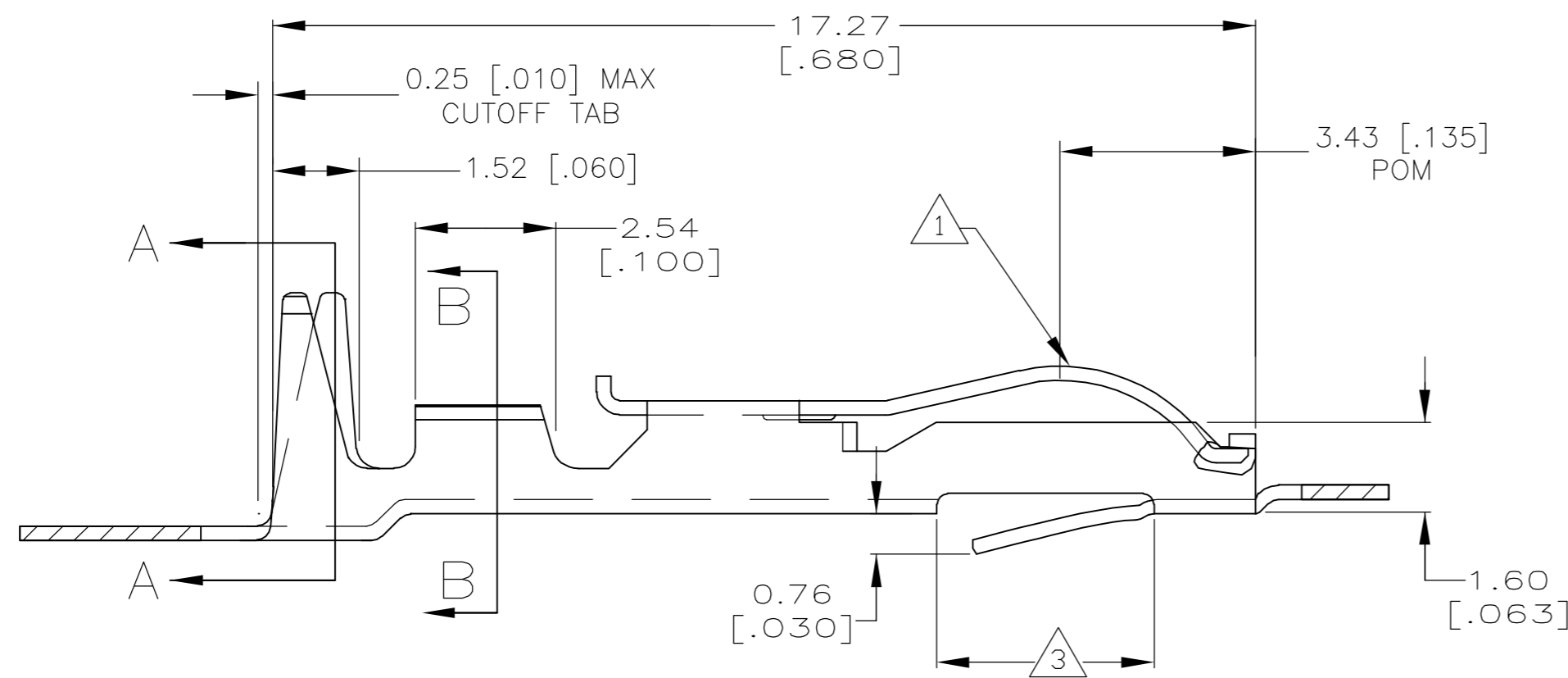


THIS DRAWING IS UNPUBLISHED. RELEASED FOR PUBLICATION
 © COPYRIGHT BY TYCO ELECTRONICS CORPORATION. ALL RIGHTS RESERVED.

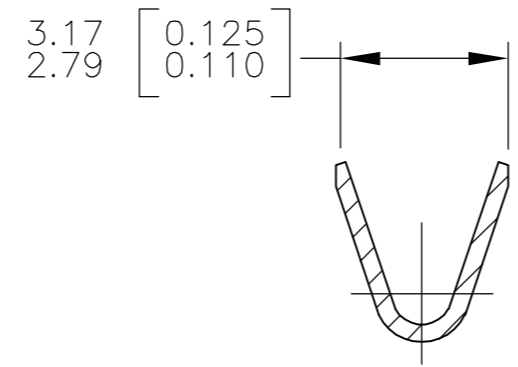
LOC	DIST	REVISIONS					
GP	00	P	LTR	DESCRIPTION	DATE	DWN	APVD
		A		RELEASED PER EC 0S12-0017-05	03 JUN 05	AWF	AWF



- 1 0.76 μm [.000030] MIN GOLD OVER 0.76 μm [.000030] MIN NICKEL IN CONTACT AREA.
- 2 MATTE TIN PLATE IN CRIMP AREA.
- 3 .067 MAX ALLOWED IN LOCKING LANCE AREA.
- 4. REEL QUANTITY = 7000 PIECES.



SECTION A-A
 INSULATION RANGE
 .100-.121 DIA



SECTION B-B
 WIRE RANGE
 #20-16

THIS DRAWING IS A CONTROLLED DOCUMENT.		DWN AL FRANTUM 03 JUN 05	Tyco Electronics Corporation Harrisburg, Pa 17105-3608		1 2		5147431-2
DIMENSIONS: INCHES		CHK AL FRANTUM 03 JUN 05			FINISH		PART
TOLERANCES UNLESS OTHERWISE SPECIFIED:		APVD	NAME		CONTACT, CRIMP-SNAP, 20-16 AWG, TWIN LEAF		
0 PLC ± - 1 PLC ± - 2 PLC ± 0.13 [.005] 3 PLC ± - 4 PLC ± - ANGLES ± 2° FINISH		PRODUCT SPEC	APPLICATION SPEC		SIZE	CAGE CODE	DRAWING NO
MATERIAL: COPPER ALLOY		WEIGHT -	RESTRICTED TO		A2	00779	C=5147431
		CUSTOMER DRAWING	SCALE 10:1		SHEET 1 OF 1	REV A	

单击下面可查看定价，库存，交付和生命周期等信息

[>>TE Connectivity\(泰科\)](#)