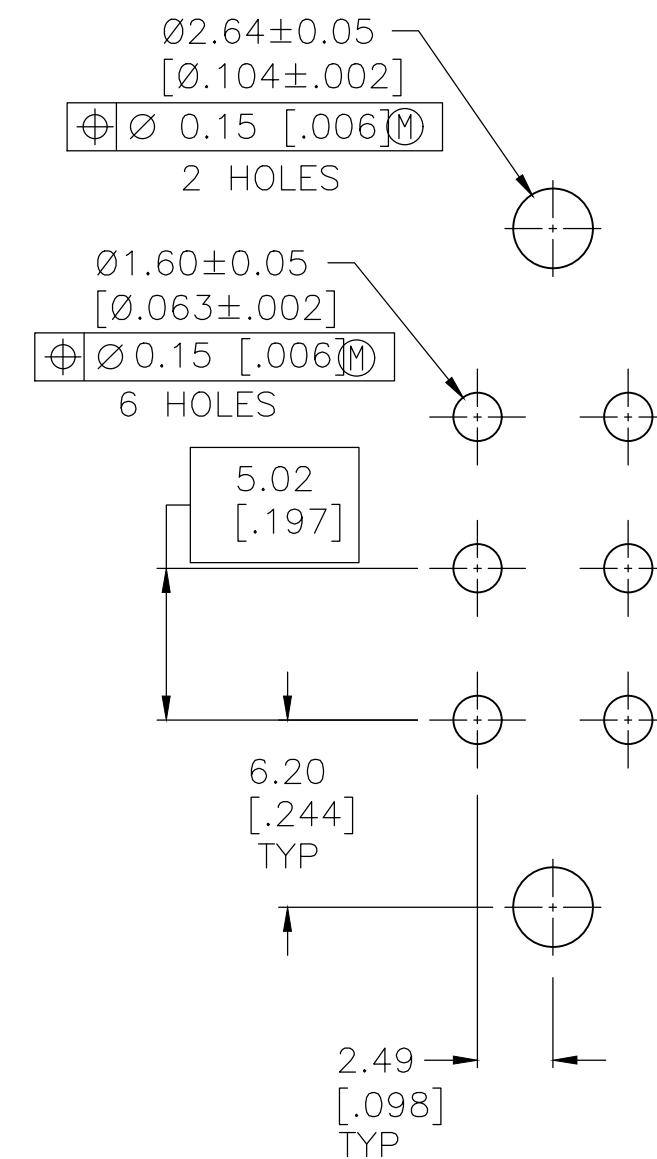
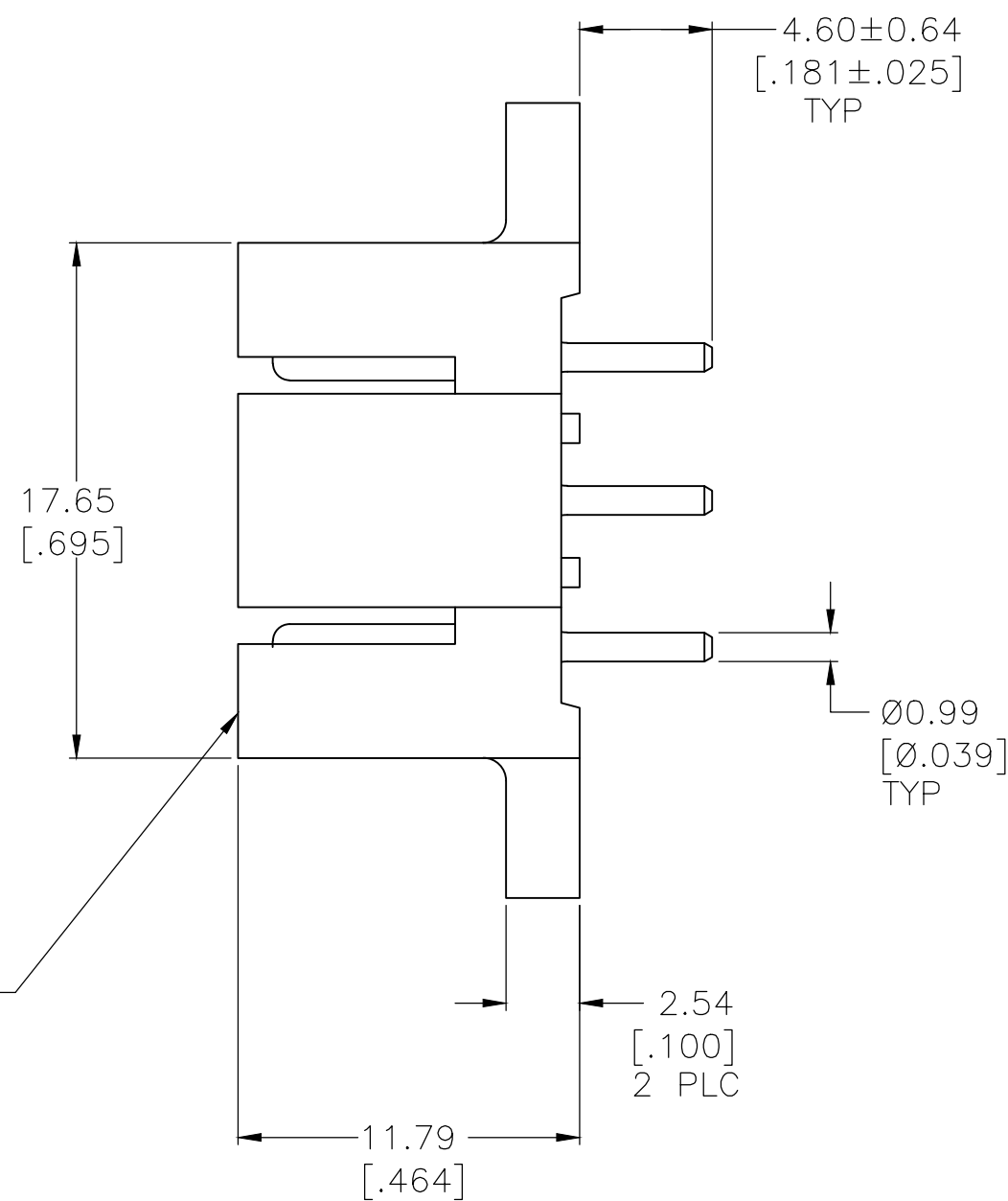
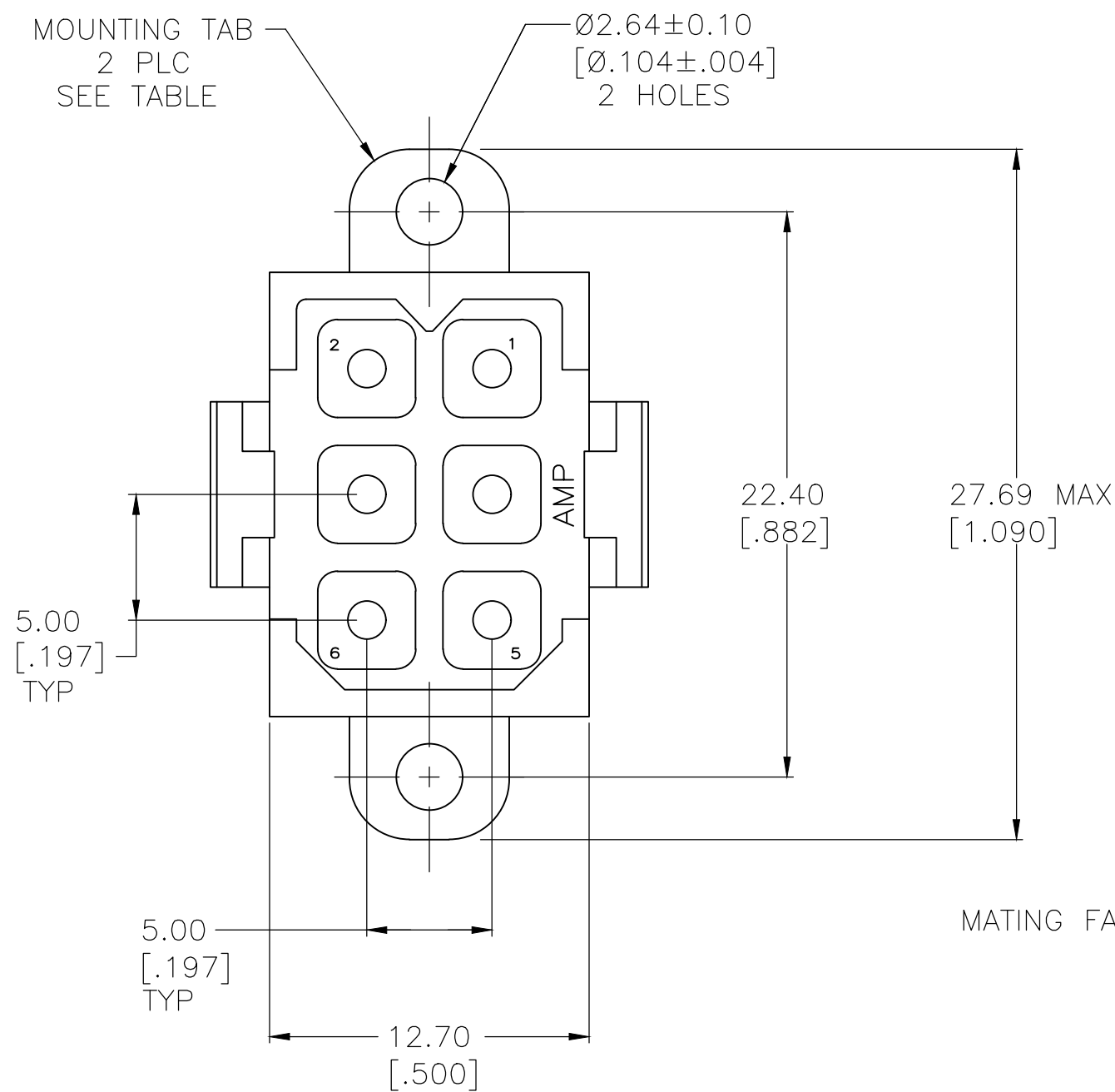
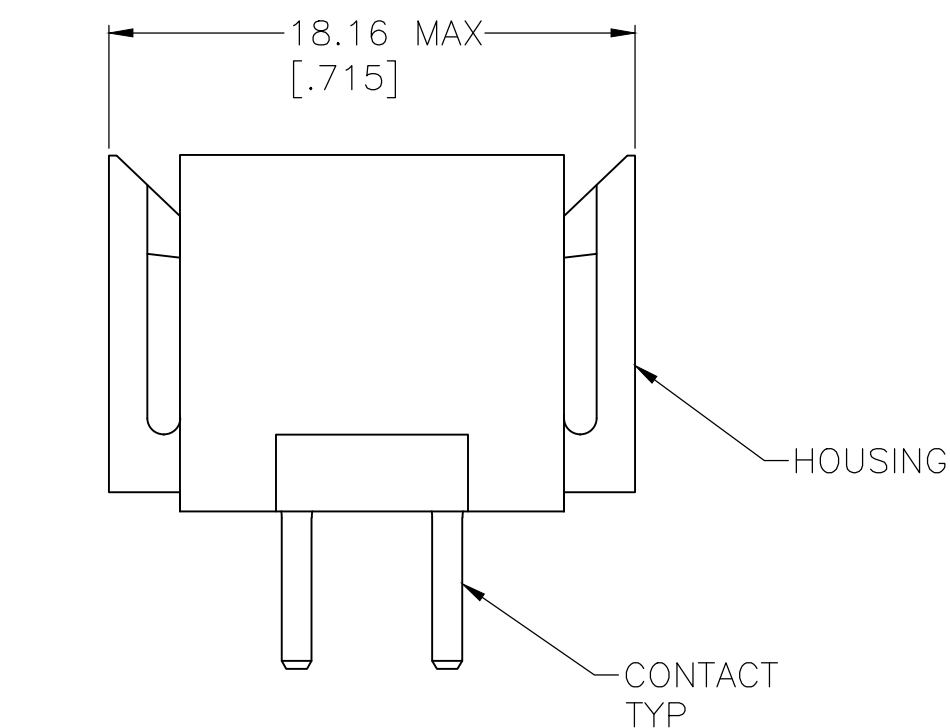


REVISIONS					
P	LTR	DESCRIPTION	DATE	DWN	APVD
Y		REVISED PER ECO-18-012313	06AUG2018	RS	MZ
Z		REVISED PER ECO-20-002045	13FEB2020	RK	MZ



RECOMMENDED PC BOARD LAYOUT



- ① HOUSING MATERIAL: PA66, BLACK, UL 94 V-0 RATED.
- ② CONTACT MATERIAL: BRASS PER ASTM B36.
- ③ 3.81um [.000150] MIN TIN OVER 2.54um [.000100] MIN COPPER.
- ④ 0.76um [.000030] MIN GOLD FOR A LENGTH OF 5.08 [.200] FROM MATING END, 3.81um [.000150] MIN TIN FOR A LENGTH OF 4.83 [.190] MIN FROM OPPOSITE END, BOTH OVER 1.27um [.000050] MIN NICKEL.
- ⑤ .000150 MIN TIN OVER .000100 MIN CU, OR .000050 MIN NICKEL.

- ⑥ 0.76um [.000030] MIN GOLD FOR A LENGTH OF 5.08 [.200] FROM MATING END, 3.81um [.000150] MIN TIN FOR A LENGTH OF 4.83 [.190] MIN FROM OPPOSITE END, BOTH OVER 1.27um [.000050] MIN NICKEL.

⑥	NO	1-207158-1
⑥	YES	1-207158-0
⑤	NO	207158-8
⑤	YES	207158-7
④	NO	207158-4
④	YES	207158-3
③	NO	207158-2
③	YES	-207158-1
	CONTACT FINISH	MOUNTING TABS
		PART NO

THIS DRAWING IS A CONTROLLED DOCUMENT.

DIMENSIONS: mm [INCHES]	TOLERANCES UNLESS OTHERWISE SPECIFIED:	DWN L.SIPE 03/10/92	CHK R.STONE 3-17-92	APVD A.TRAVIS 3-17-92	NAME <b>TE</b> TE Connectivity
	0 PLC ± - 1 PLC ± - 2 PLC ± 0.25 [.010] 3 PLC ± - 4 PLC ± - ANGLES ± -	PRODUCT SPEC 108-10033		PIN HEADER ASSEMBLY, 6 POSITION, METRIMATE	
MATERIAL ①-②	FINISH CONTACT: SEE TABLE	WEIGHT -	SIZE A2	CAGE CODE 00779	DRAWING NO C=207158
CUSTOMER DRAWING			SCALE 4:1	SHEET 1 OF 1	REV Z

单击下面可查看定价，库存，交付和生命周期等信息

[>>TE Connectivity\(泰科\)](#)