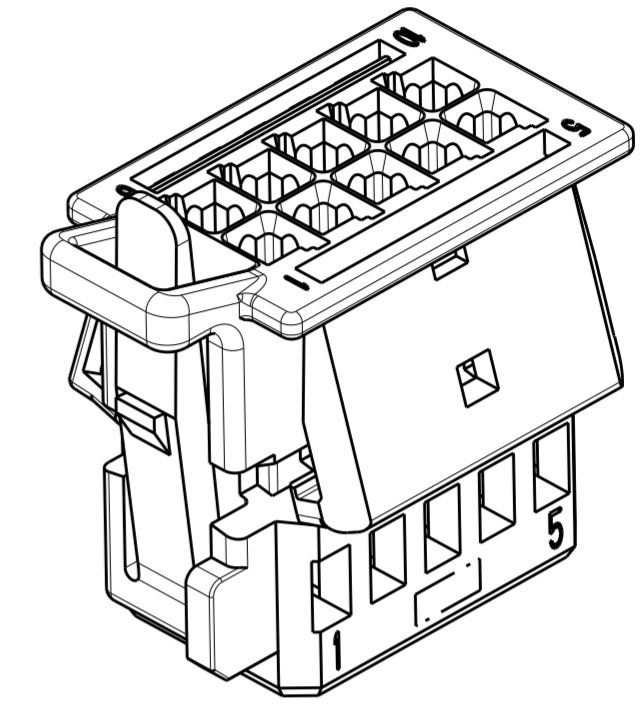
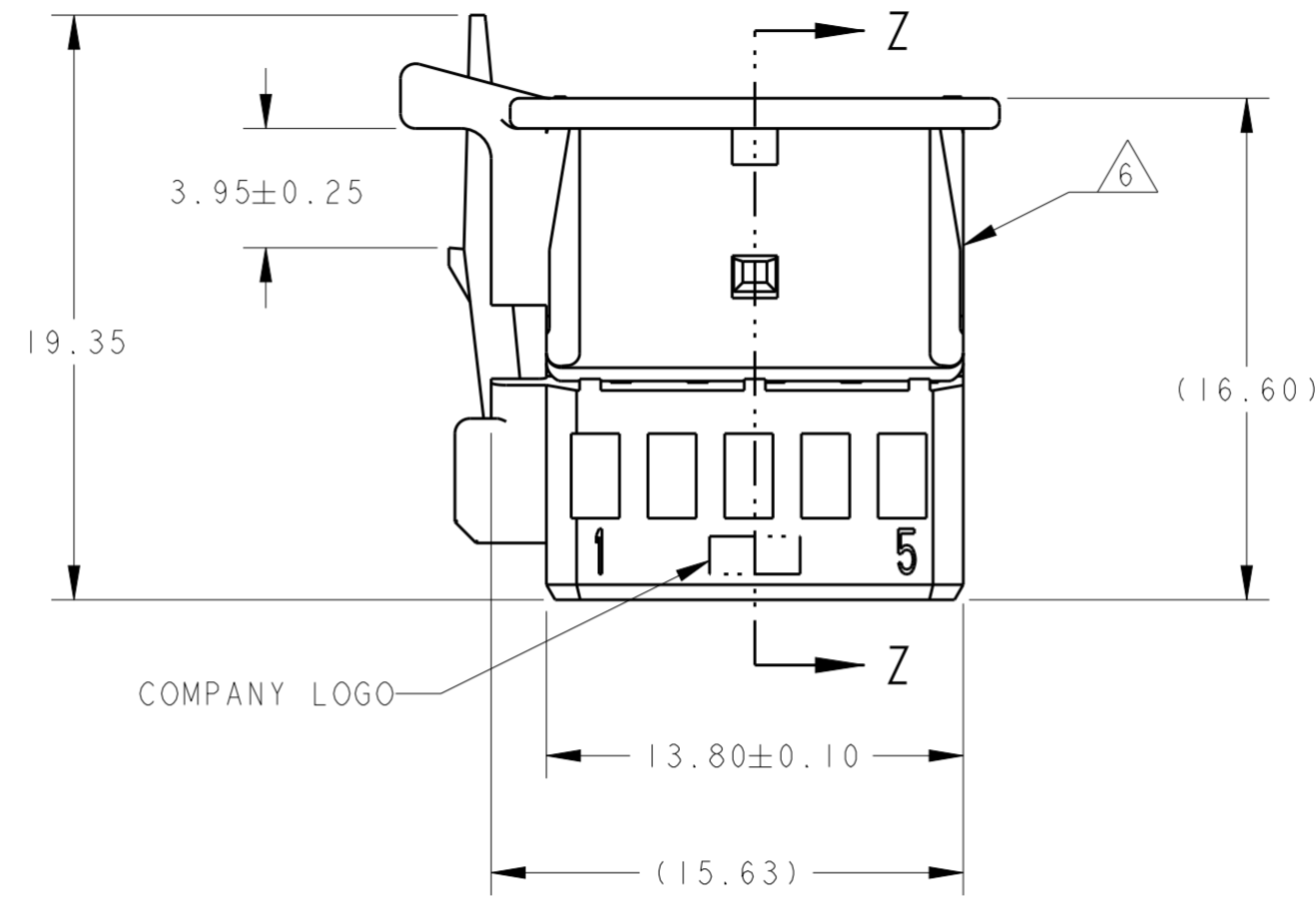
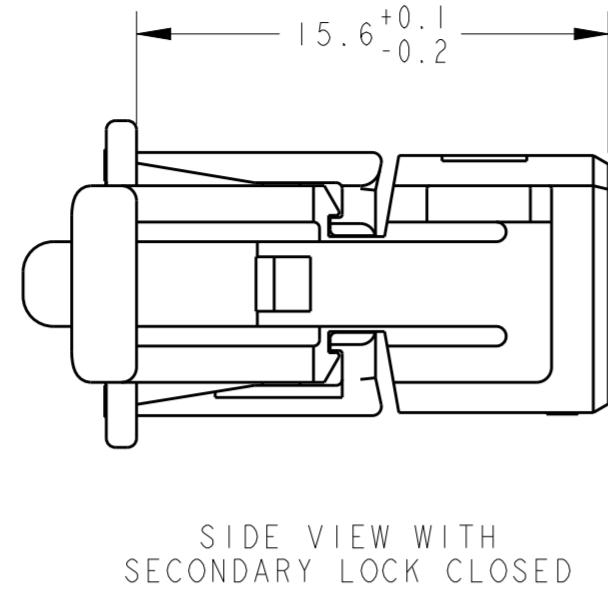
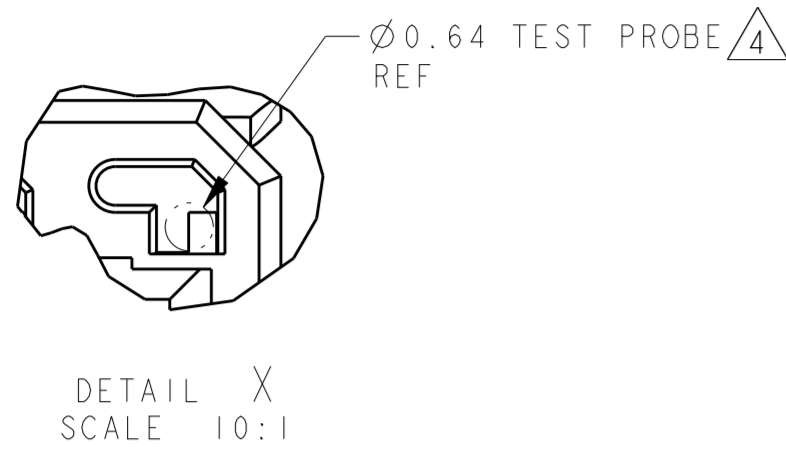


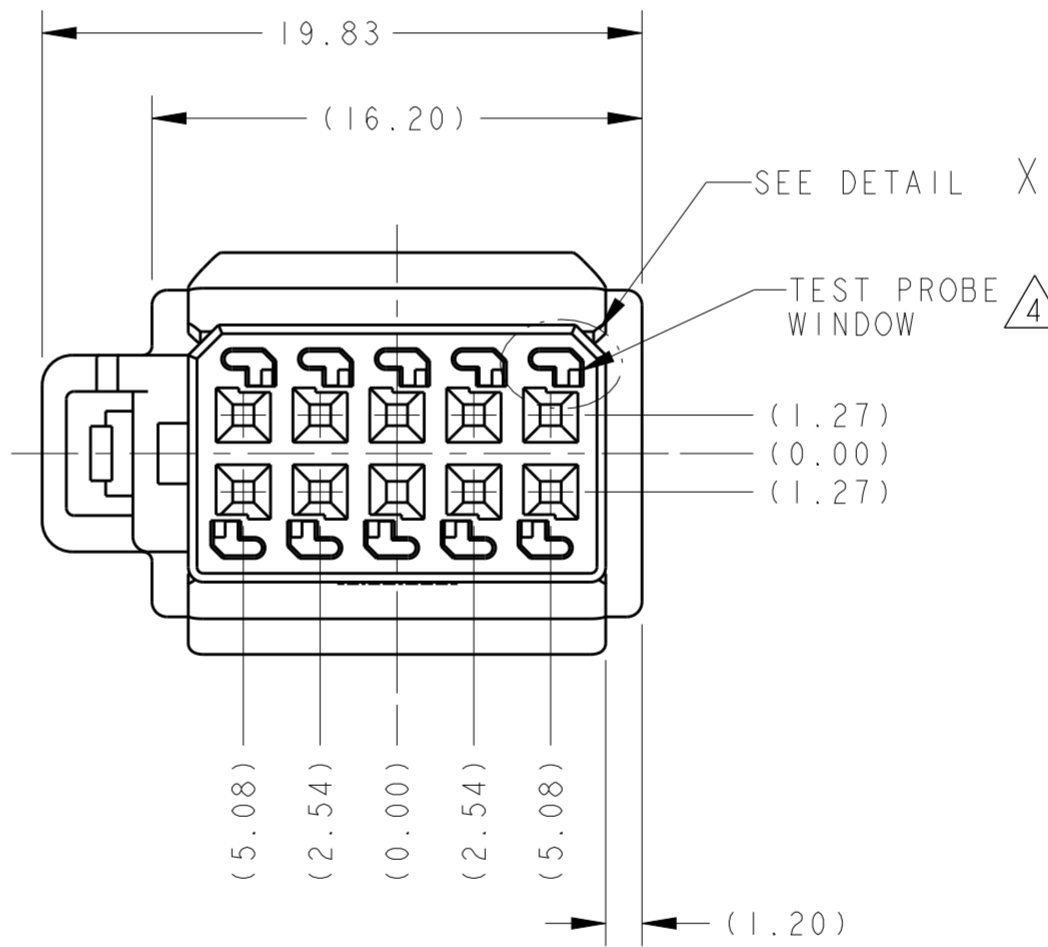
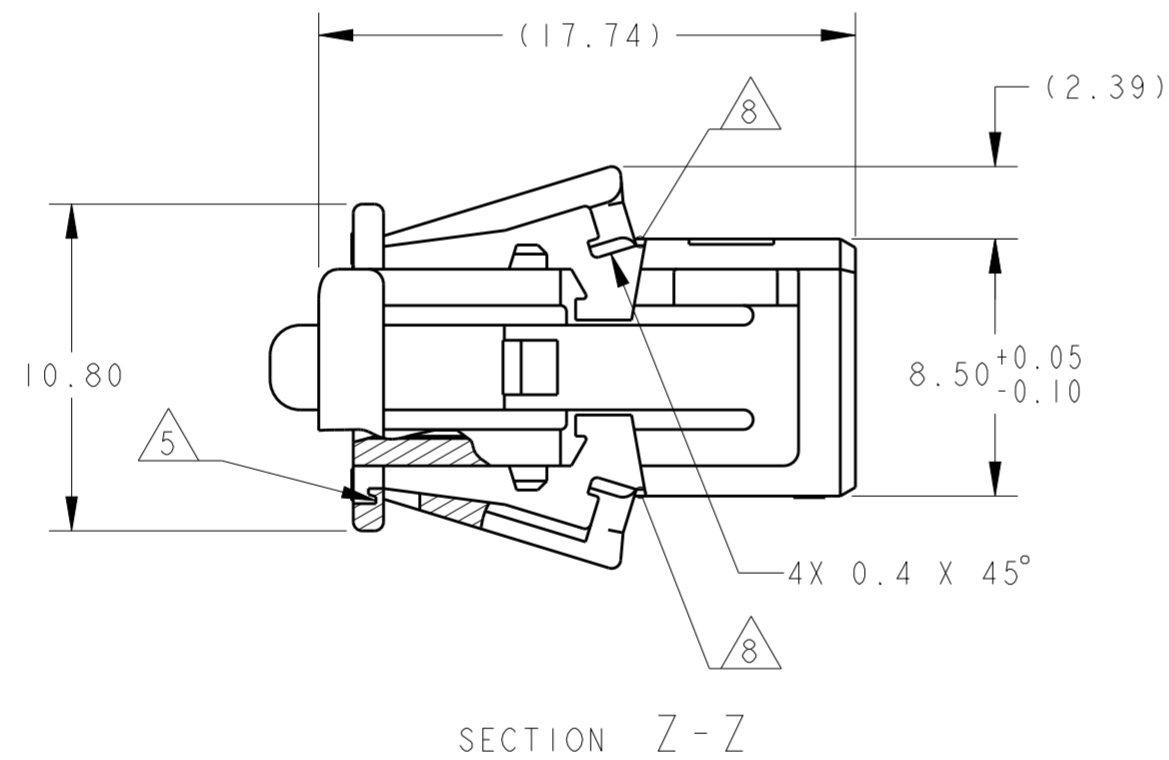
THIS DRAWING IS UNPUBLISHED. RELEASED FOR PUBLICATION 20  
 © COPYRIGHT 20 BY - ALL RIGHTS RESERVED.

REVISIONS				
P	LTR	DESCRIPTION	DATE	APVD
B3		REVISED PER ECO-16-014102	28SEP2016	DD AH



APPLICABLE TERMINALS & WIRE SIZES

DESCRIPTION	TE P/N	WIRE SIZE	WIRE SIZE (MM <sup>2</sup> )
TERMINAL - FEMALE (Sn)	928999-1	20-22 AWG	0.22-0.5
TERMINAL - FEMALE (Au)	928999-5	20-22 AWG	0.22-0.5
TERMINAL - FEMALE (Sn)	963715-1	18 AWG	0.75
TERMINAL - FEMALE (Au)	963715-5	18 AWG	0.75



COLOR	KEYING ARRANGEMENTS	TE PART NUMBER
GRAY	KEY KB	1488973-3
BLACK	KEY KB	1488973-2
BLACK	KEY KA	1488973-1

- 1 MATERIAL: PBT, 15% GLASS FILLED, SEE TABLE.
- 2 1488973-1 SHOWN
- 3 REFER TO PRODUCT GROUP DRAWING 929454 FOR TERMINAL CONTACT INFORMATION. THIS PLUG WILL NOT WORK WITH TERMINALS DESIGNED FOR INDIVIDUAL WIRE SEALS.
- 4 SEE APPLICATION SPEC. 114-13143 FOR TEST PROBE LOCATION LAYOUT.
- 5 WHEN SECONDARY LOCK IS TRANSITIONED FROM THE OPEN TO THE CLOSED POSITION THE PLASTIC ATTACHING THE SECONDARY LOCK IS ALLOWED/ASSUMED TO BREAK AWAY IN THE AREA SHOWN (TYPICAL).
- 6 FOUR DIGIT DATE CODE (MMYY), LOCATED IN APPROXIMATE AREA SHOWN.
- 7 REFERENCE TE CONNECTIVITY DRAWING NUMBER 1488974 FOR MATING INTERFACE DESIGN DETAILS.
- 8 DURING SHIPPING THESE WEBS MAY BE FRACTURED, AND UP TO 1% OF PARTS MAY HAVE ONE OR BOTH SECONDARY LOCKS IN THE CLOSED POSITION. REFER TO APPLICATION SPEC 114-13143 FOR INSTRUCTION ON USING PARTS IN THIS CONDITION.

THIS DRAWING IS A CONTROLLED DOCUMENT.

DWN J.R. SHUEY 22DEC2003  
 CHK F. KINSEY 22JUN2004  
 APVD F. KINSEY 22JUN2004

TE Connectivity

SOCKET HOUSING,  
10 POSITION 2 X 5, MQS CONNECTOR

108-18590-0

114-13143

1.7 g

A200779 C-1488973

SCALE 4:1 SHEET 1 OF 1 REV B3

单击下面可查看定价，库存，交付和生命周期等信息

[>>TE Connectivity\(泰科\)](#)