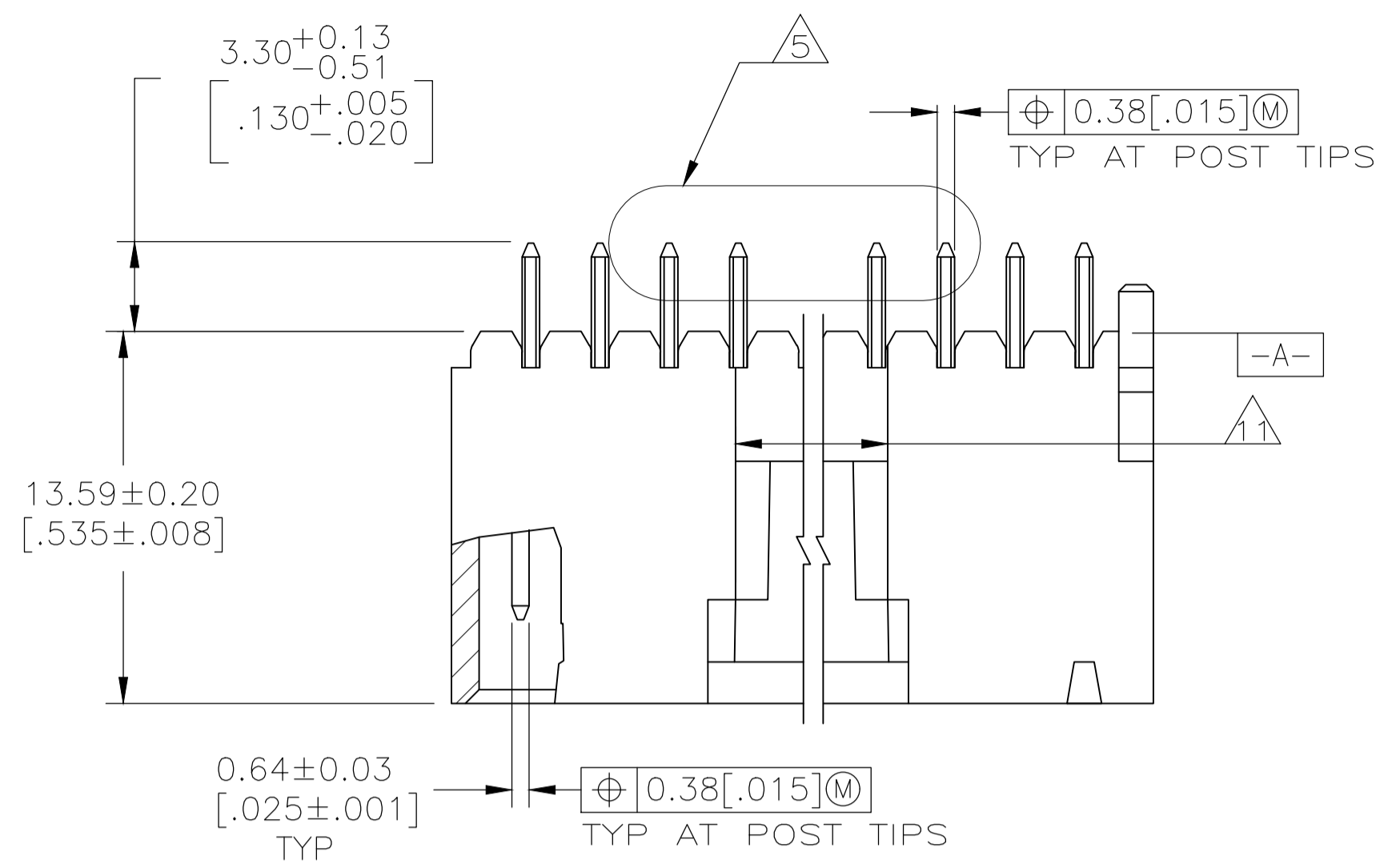
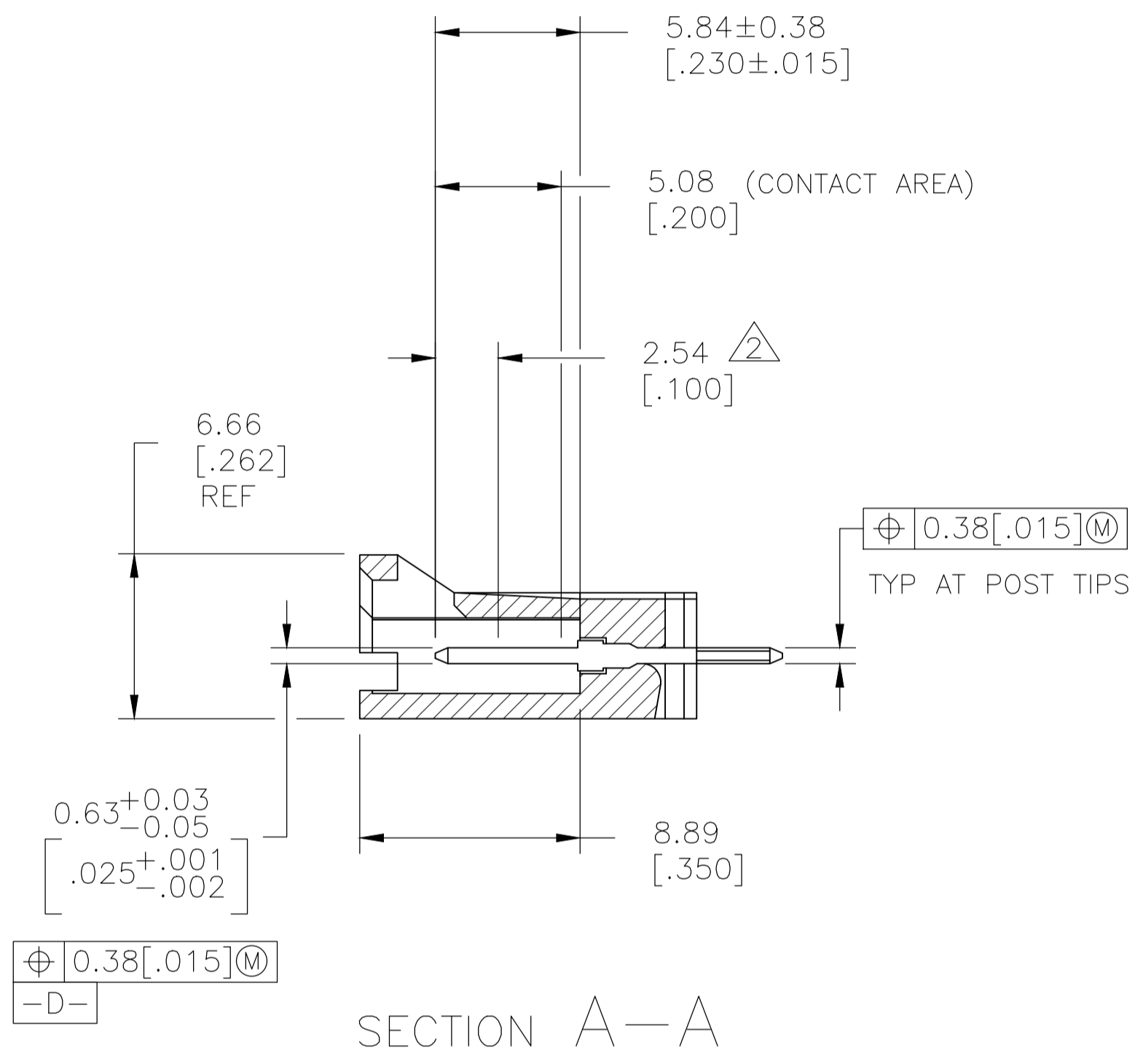
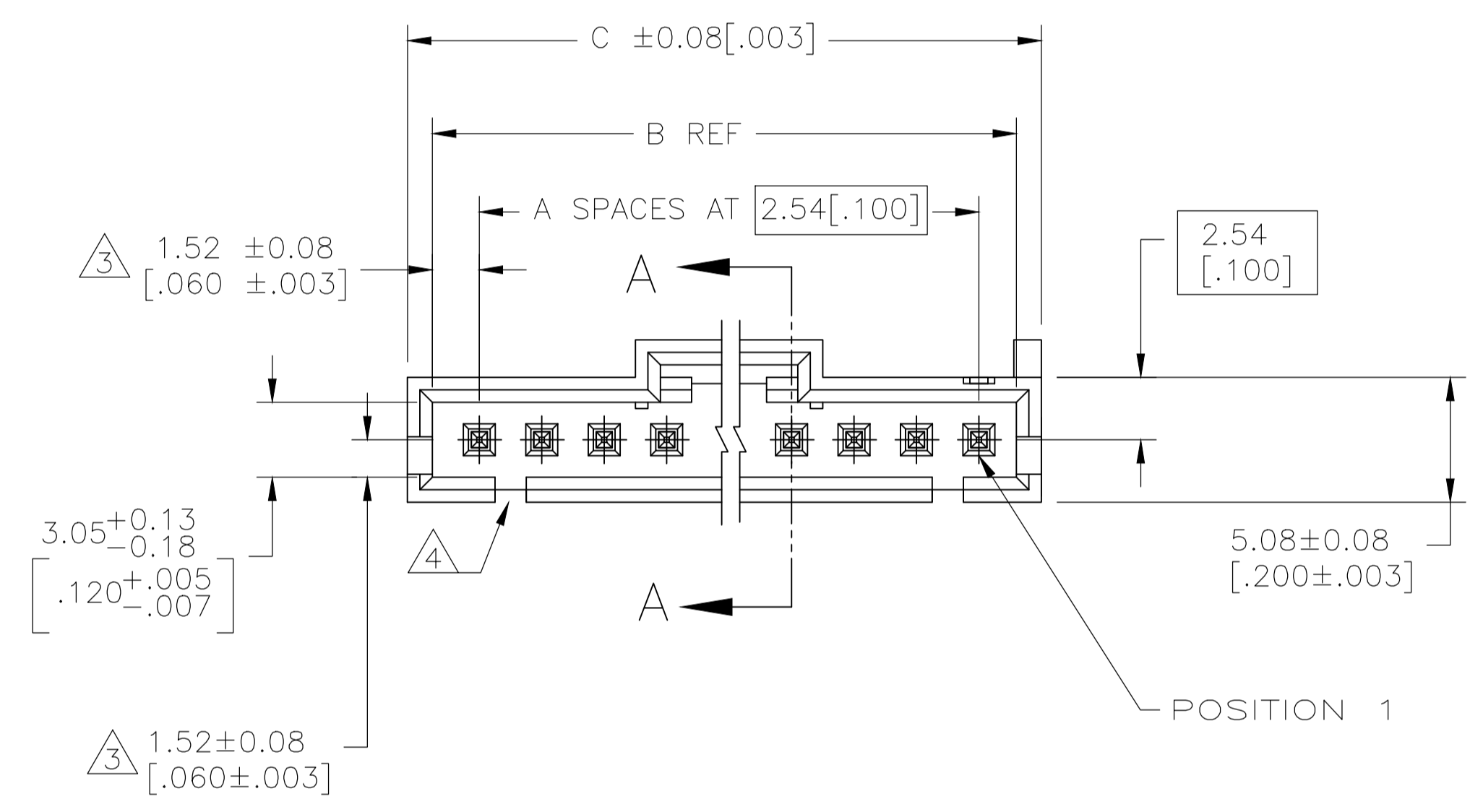


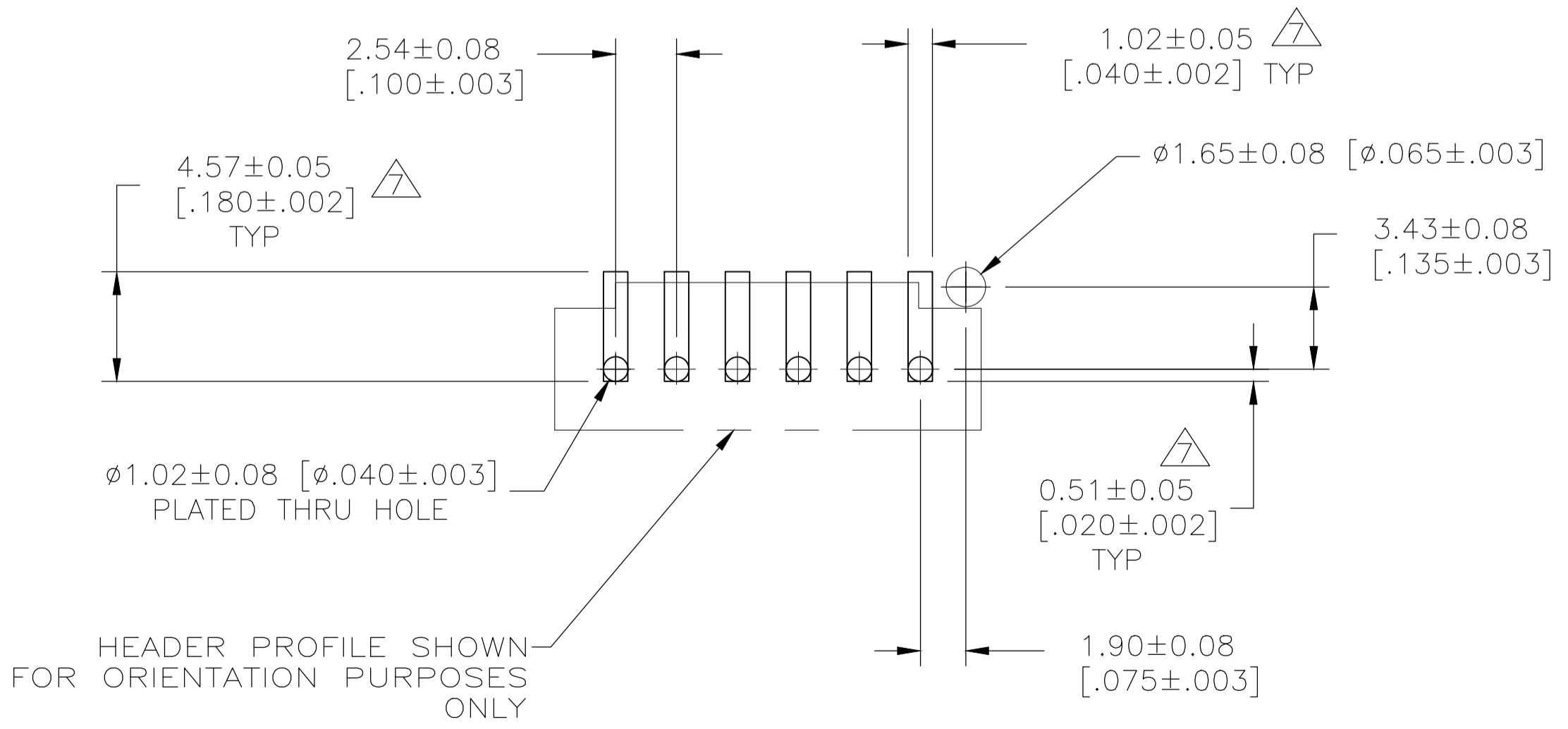
REVISIONS					
P	LTR	DESCRIPTION	DATE	DMN	APVD
E		REVISED PER ECO-20-001912	03JUN2020	SB	JO



DETAIL Z  
POST DETAIL TYP  
2 POST MINIMUM



- ① FINISH: 0.00254[.000100] BRIGHT TIN OVER 0.00127[.000050] NICKEL.
- ② POINT OF MEASUREMENT FOR PLATING THICKNESS.
- ③ THE NOTED DIMENSIONS APPLY FROM THE BASIC DIMENSION CENTER LINE (NOT THE POST CENTER LINE) TO THE SURFACE INDICATED.
- ④ ONE POLARIZATION SLOT FOR 2 POSITION ASSEMBLY ONLY.
- ⑤ SELECT POST TAILS FORMED TO PROVIDE CONNECTOR HOLD DOWN UNTIL SOLDERED, CONFIGURATION ACCEPTS 0.69[.027]-2.03[.080] THICK PRINTED CIRCUIT BOARD. (SEE DETAIL Z).
- 6. PARTS ARE PACKAGED IN GANG OF TUBES.
- ⑦ DIMENSIONS NOTED ARE FOR SOLDER STENCIL LAYOUT FOR USE WITH 1.58±0.20[.062±.008] THICK PRINTED CIRCUIT BOARDS.
- ⑧ MATERIAL- HOUSING: LCP, COLOR-BLACK. POSTS: BRASS.
- ⑨ FINISH: 0.00254[.000100] MATTE TIN OVER 0.00127[.000050] NICKEL.
- ⑩ OBSOLETE PART NUMBER
- ⑪ 0.25 [.010] RECESS PERMISSIBLE IN THIS AREA FOR MOLD SHUT OFF



RECOMMENDED PC BOARD MOUNTING DIMENSIONS  
RECOMMENDED STENCIL THICKNESS = 0.25[.010]

⑨	32.89 [1.295]	30.99 [1.220]	11	12	6-147750-1
⑨	32.89 [1.295]	30.99 [1.220]	11	12	5-147750-1
①	32.89 [1.295]	30.99 [1.220]	11	12	1-147750-1
PLATING	C	B	A	NO. OF POSN	PART NO.

THIS DRAWING IS A CONTROLLED DOCUMENT.

DIMENSIONS: mm [INCHES]	TOLERANCES UNLESS OTHERWISE SPECIFIED:	DIN R BROWN 02APR01	TE Connectivity
0 PLC ± -	1 PLC ± -	CHK K WRIGHT 02APR01	
2 PLC ± 0.13[.005]	3 PLC ± -	APVD K WRIGHT 02APR01	NAME POLARIZED HDR ASSY, AMPMODU MTE, VERTICAL SINGLE ROW, 2.54[.100] CL, 0.64[.025] SQ POSTS, WITH LATCHING WITH SWAGE
4 PLC ± -	ANGLES ± -	APPLICATION SPEC	SIZE CASE CODE DRAWING NO. A1 00779 C=147750
MATERIAL	FINISH SEE TABLE	WEIGHT	RESTRICTED TO
		CUSTOMER DRAWING	SCALE 4:1 SHEET 1 OF 1 REV E

单击下面可查看定价，库存，交付和生命周期等信息

[>>TE Connectivity\(泰科\)](#)